


	POLE APPARATUS TRANSFORMERS OH	1315
		Sheet 1 of 1
Rev: 08/01/20		

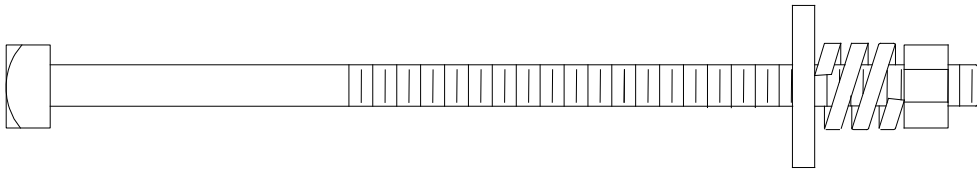
1315

TRANSFORMERS OH


CONTAINS

- 1315-03 BOLT FOR MOUNTING TRANSFORMER**
- 1315-05 CLUSTER MOUNT**
- 1315-06 JUMPER STRAP 167 KVA**
- 1315-10 TRANSFORMER 120/240**
- 1315-20 TRANSFORMER 240/480**
- 1315-30 TRANSFORMER 277/480**
- 1315-40 TRANSFORMER 1PH ASSEMBLY**
- 1315-50 TRANSFORMER OPEN DELTA ASSEMBLY**
- 1315-60 TRANSFORMER 3PH ASSEMBLY**
- 1315-70 BUS WIRE 1PH TRANSFORMER**
- 1315-72 BUS WIRE POWER TRANSFORMER**
- 1315-73A BUS WIRE WYE BANKS 10-100KVA**
- 1315-73B BUS WIRE WYE BANKS 167KVA**
- 1315-74 TRANSFORMER CONNECTIONS**

1315-03	POLE APPRATUS TRANSFORMERS OH	
Sheet 1 of 2		Rev: 08/01/20
	BOLT FOR MOUNTING TRANSFORMER	



1315-03-01 5/8 IN
1315-03-02 3/4 IN

 Rev: 08/01/20	POLE APPARATUS TRANSFORMERS OH	1315-03
	BOLT FOR MOUNTING TRANSFORMER	Sheet 2 of 2

CU


CU-ID	CU-REF	CU-DESCRIPTION
--------------	---------------	-----------------------

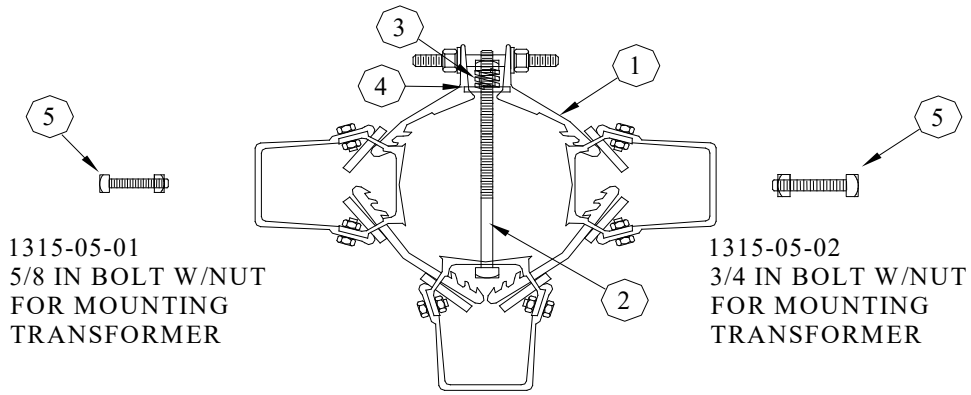
BTMTXFMR5/8IN	13150301	BOLT MOUNT TRANSFORMER 5/8 IN
---------------	----------	-------------------------------

ID	PART NUM	PART DESC	QTY	CU-REF
1	0000008420	BOLT MACH SQ HEAD HOT DIP GALV G5 5/8 X 14	2 EA	13150301
2	0000001236	WASHER COIL SPRING ZINC FOR 5/8 IN BOLT	2 EA	13150301
3	0000008499	WASHER SQ HOT DIP GALV 2-1/4 IN X 2-1/4 IN X 3/16 IN	2 EA	13150301

BTMTXFMR3/4IN	13150302	BOLT MOUNT TRANSFORMER 3/4 IN
---------------	----------	-------------------------------

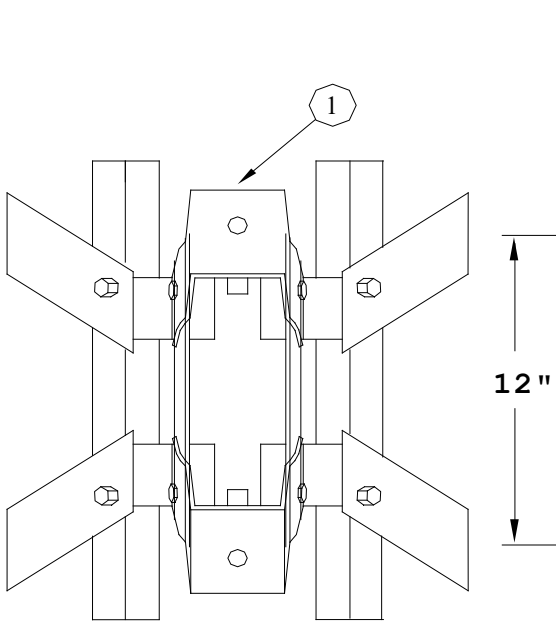
ID	PART NUM	PART DESC	QTY	CU-REF
1	0000008430	BOLT MACH SQ HEAD HOT DIP GALV G5 3/4 X 14	1 EA	13150302
2	0000001235	WASHER COIL SPRING ZINC FOR 3/4 IN BOLT	2 EA	13150302
3	0000008500	WASHER SQ CURVED HOT DIP GALV 3-1/4 X 3-1/4 X 1/4	2 EA	13150302

1315-05	POLE APPRATUS TRANSFORMERS OH CLUSTER MOUNT	
Sheet 1 of 2		Rev: 08/01/20



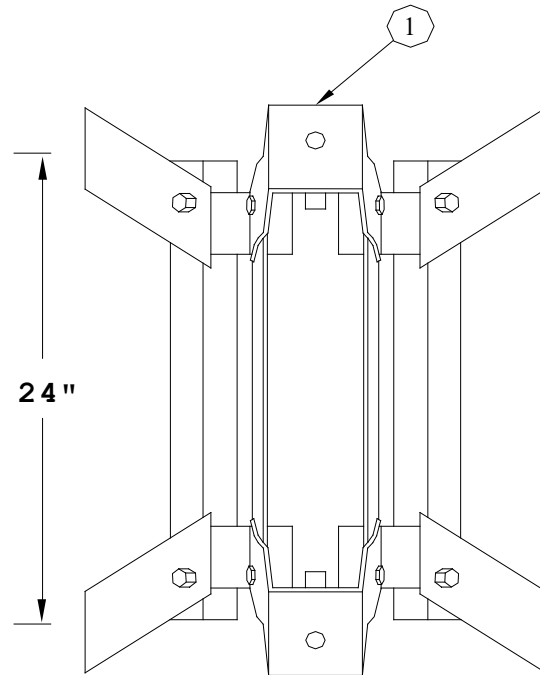
1315-05-01
5/8 IN BOLT W/NUT
FOR MOUNTING
TRANSFORMER

1315-05-02
3/4 IN BOLT W/NUT
FOR MOUNTING
TRANSFORMER



1315-05-01 5/8 IN

**NOTE: 5/8" BOLTS AND
1315-05-01 TO BE USED
ON 10KVA THRU 50KVA
TRANSFORMERS**



1315-05-02 3/4 IN

**NOTE: 3/4" BOLTS AND
1315-05-02 TO BE USED
ON 75KVA THRU 167KVA
TRANSFORMERS**

	POLE APPARATUS TRANSFORMERS OH	1315-05
	CLUSTER MOUNT	Sheet 2 of 2
Rev: 08/01/20		

CU


CU-ID	CU-REF	CU-DESCRIPTION
--------------	---------------	-----------------------

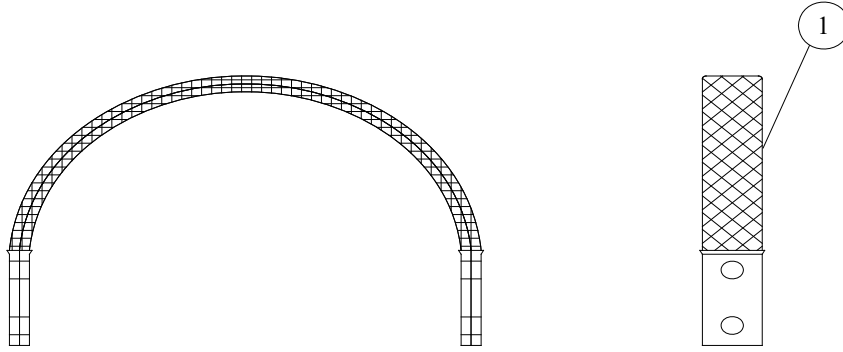
CLUSTERMOUNT	13150501	CLUSTER MOUNT
--------------	----------	---------------

ID	PART NUM	PART DESC	QTY		CU-REF
1	0000001361	BRACKET MTG CLAMP TY 3 PH CLUSTER FOR 3-3KVA - 3-250KVA	1	EA	13150501
2	0000008443	BOLT LAG HOT DIP GALV FETTER DRIVE G5CT 1/2 X 4	1	EA	13150501

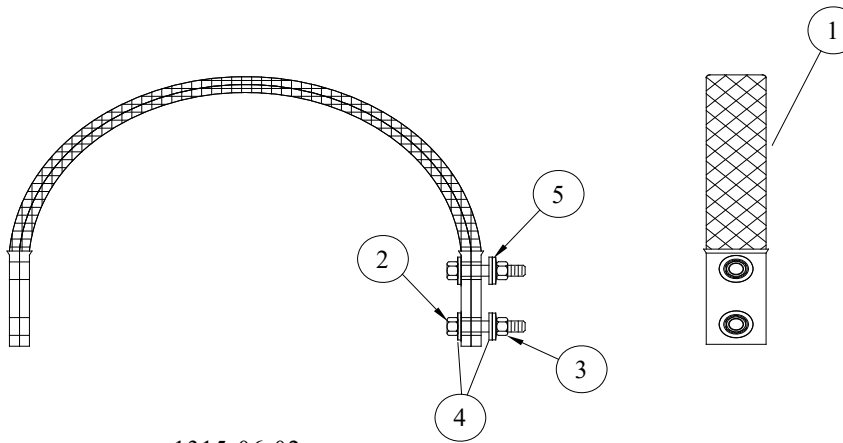
CLUSTERMOUNT3/4INB	13150502	CLUSTER MOUNT WITH 3/4 IN BOLTS
--------------------	----------	---------------------------------

ID	PART NUM	PART DESC	QTY		CU-REF
1	0000001361	BRACKET MTG CLAMP TY 3 PH CLUSTER FOR 3-3KVA - 3-250KVA	1	EA	13150502
2	0000008420	BOLT MACH SQ HEAD HOT DIP GALV G5 5/8 X 14	1	EA	13150502
3	0000001236	WASHER COIL SPRING ZINC FOR 5/8 IN BOLT	1	EA	13150502
4	0000008499	WASHER SQ HOT DIP GALV 2-1/4 IN X 2-1/4 IN X 3/16 IN	1	EA	13150502
5	0000008427	BOLT MACH SQ HEAD HOT DIP GALV G5 3/4 X 3	6	EA	13150502

1315-06	POLE APPRATUS TRANSFORMERS OH JUMPER STRAP 167 KVA	
Sheet 1 of 2		Rev: 08/01/20



1315-06-01



1315-06-02

 Rev: 08/01/20	POLE APPARATUS TRANSFORMERS OH JUMPER STRAP 167 KVA	1315-06 Sheet 2 of 2

CU

CU- ID CU- REF CU-DESCRIPTION

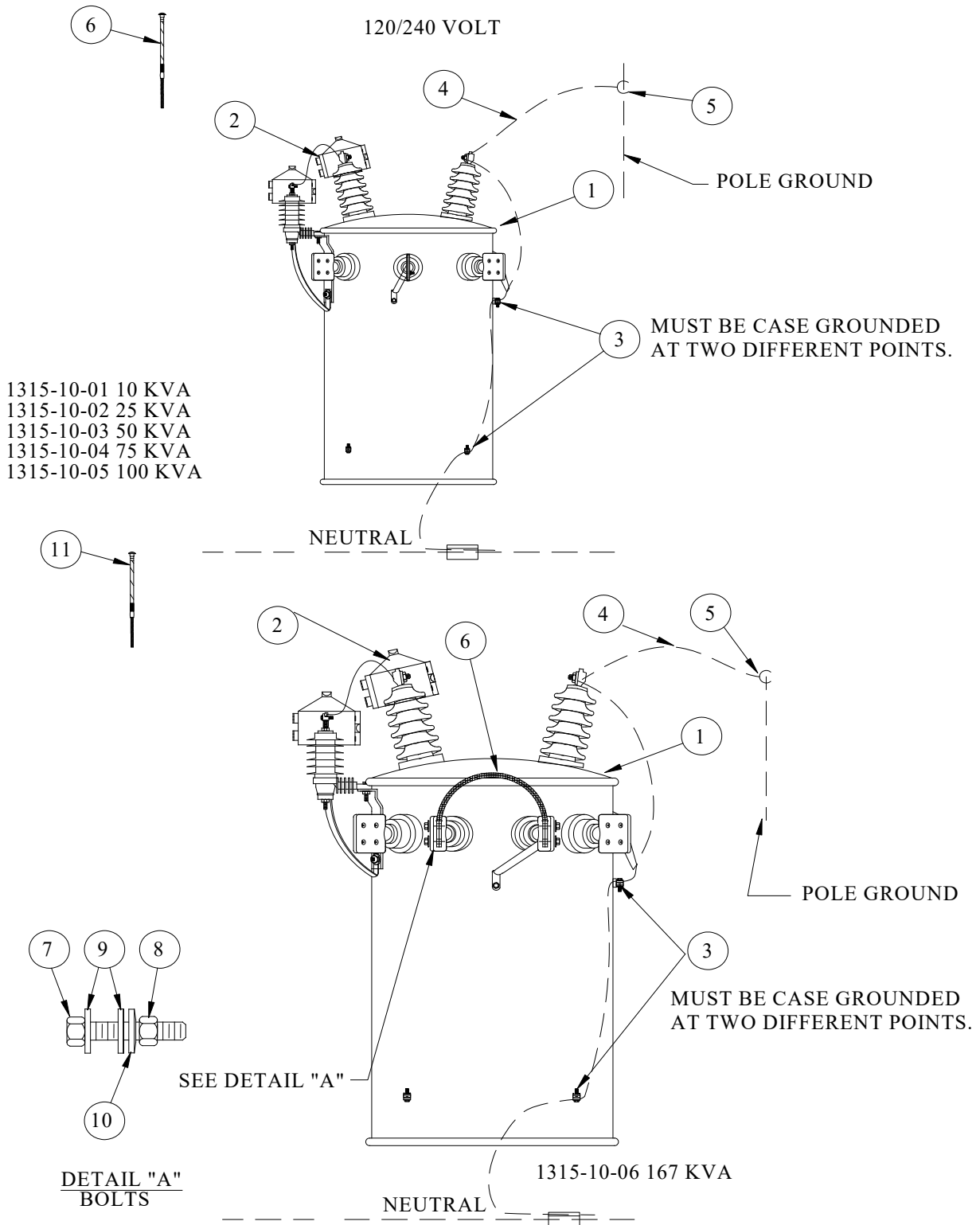
JUBRSTRAP 13150601 JUMPER BRAIDED STRAP


ID	PART NUM	PART DESC	QTY			CU-REF
1	0000001405	JUMPER COP BRAID TINNED W/2 NEMA HOLE BOTH END	1	EA		13150601

JUBRSTRAPW/BT 13150602 JUMPER BRAIDED STRAP W/BOLTS

ID	PART NUM	PART DESC	QTY			CU-REF
1	0000001405	JUMPER COP BRAID TINNED W/2 NEMA HOLE BOTH END	2	EA		13150602
2	0000000601	BOLT HEX HEAD 18-8 SSTL 1/2 IN X 2- 1/2 IN	8	EA		13150602
3	0000008457	NUT HEX ZINC CT 1/2	8	EA		13150602
4	0000000519	WASHER FLAT 1/2IN SSTL 1.14 OD X .515 ID X .125 THICK	16	EA		13150602
5	0000000518	WASHER BELLVILLE SPRG 6000 LBS LOAD SSTL 1/2 IN	8	EA		13150602

POLE APPRATUS
TRANSFORMERS OH
TRANSFORMER 120/240



 Rev: 08/01/20	POLE APPARATUS TRANSFORMERS OH TRANSFORMER 120/240	1315-10
		Sheet 2 of 3

CU

CU-ID CU-REF CU-DESCRIPTION

XFMROH120/240-10KVA 13151001 XFMR OH 120/240 10 KVA

ID	PART NUM	PART DESC	QTY		CU-REF
1	0000019514	XFMR DIST 1PH POLE 10 KVA 120/240 2 BUSH W/ARRESTER (D	1	EA	13151001
2	0000018196	WIRE #6 AWG CU STRANDED W/110 MIL XLPE 500/FT	8	EA	13151001
3	0000001241	CONNECTOR TRANSFORMER TANK GRD #6 SOLID TO 1/0 STR BRZ	2	EA	13151001
4	0000004527	WIRE COP BARE SOFT DRAWN #6	15	EA	13151001
5	0000001301	CONNECTOR COMPRESSION C-SHAPE #6 SOL - #4 STR	1	EA	13151001
6	0000015540	FUSE LINK FITALL 2 AMP TYPE X	1	EA	13151001

XFMROH120/240-25KVA 13151002 XFMR OH 120/240 25 KVA

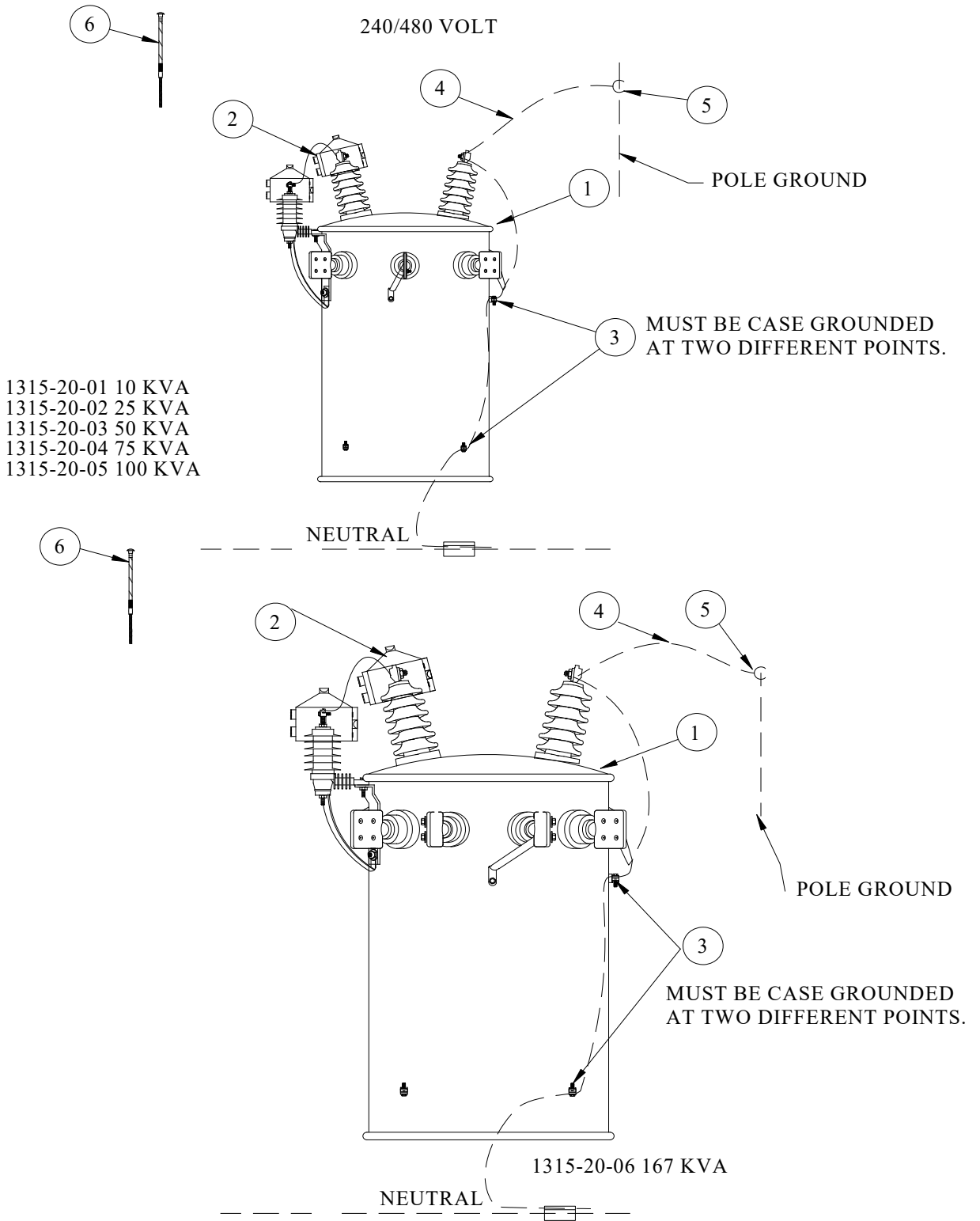
ID	PART NUM	PART DESC	QTY		CU-REF
1	0000019515	XFMR DIST 1PH POLE 25 KVA 120/240 2 BUSH W/ARRESTER (D	1	EA	13151002
2	0000018196	WIRE #6 AWG CU STRANDED W/110 MIL XLPE 500/FT	8	EA	13151002
3	0000001241	CONNECTOR TRANSFORMER TANK GRD #6 SOLID TO 1/0 STR BRZ	2	EA	13151002
4	0000004527	WIRE COP BARE SOFT DRAWN #6	15	EA	13151002
5	0000001301	CONNECTOR COMPRESSION C-SHAPE #6 SOL - #4 STR	1	EA	13151002
6	0000015542	FUSE LINK FITALL 5-1/2 AMP TYPE X	1	EA	13151002


XFMROH120/240-50KVA 13151003 XFMR OH 120/240 50 KVA

ID	PART NUM	PART DESC	QTY		CU-REF
1	0000019516	XFMR DIST 1PH POLE 50 KVA 120/240 2 BUSH W/ARRESTER (D	1	EA	13151003
2	0000018196	WIRE #6 AWG CU STRANDED W/110 MIL XLPE 500/FT	8	EA	13151003
3	0000001241	CONNECTOR TRANSFORMER TANK GRD #6 SOLID TO 1/0 STR BRZ	2	EA	13151003
4	0000004527	WIRE COP BARE SOFT DRAWN #6	15	EA	13151003
5	0000001301	CONNECTOR COMPRESSION C-SHAPE #6 SOL - #4 STR	1	EA	13151003
6	0000015543	FUSE LINK FITALL 10 AMP TYPE X	1	EA	13151003

XFMROH120/240-75KVA 13151004 XFMR OH 120/240 75 KVA

ID	PART NUM	PART DESC	QTY		CU-REF
1	0000019517	XFMR DIST 1PH POLE 75 KVA 120/240 2 BUSH W/ARRESTER (D	1	EA	13151004
2	0000018196	WIRE #6 AWG CU STRANDED W/110 MIL XLPE 500/FT	8	EA	13151004
3	0000001241	CONNECTOR TRANSFORMER TANK GRD #6 SOLID TO 1/0 STR BRZ	2	EA	13151004
4	0000004527	WIRE COP BARE SOFT DRAWN #6	15	EA	13151004
5	0000001301	CONNECTOR COMPRESSION C-SHAPE #6 SOL - #4 STR	1	EA	13151004
6	0000015544	FUSE LINK FITALL 15 AMP TYPE X	1	EA	13151004



1315-20	<p style="text-align: center;">POLE APPRATUS TRANSFORMERS OH TRANSFORMER 240/480</p>	
Sheet 2 of 3		
		Rev: 08/01/20

CU

CU-ID CU-REF CU-DESCRIPTION

XFMR OH 240/480-25KVA 13152002 XFMR OH 240/480 25 KVA

ID	PART NUM	PART DESC	QTY		CU-REF
1	0000022816	XFMR DIST 25KVA POLE TY 240-480V 2 BUSH (DOE)	1	EA	13152002
2	0000018196	WIRE #6 AWG CU STRANDED W/110 MIL XLPE 500/FT	8	EA	13152002
3	0000001241	CONNECTOR TRANSFORMER TANK GRD #6 SOLID TO 1/0 STR BRZ	2	EA	13152002
4	0000004527	WIRE COP BARE SOFT DRAWN #6	15	EA	13152002
5	0000001301	CONNECTOR COMPRESSION C-SHAPE #6 SOL - #4 STR	1	EA	13152002
6	0000015542	FUSE LINK FITALL 5-1/2 AMP TYPE X	1	EA	13152002

XFMR OH 240/480-50KVA 13152005 XFMR OH 240/480 50 KVA


ID	PART NUM	PART DESC	QTY		CU-REF
1	0000022817	XFMR DIST 50KVA POLE TY 240-480V 2 BUSH (DOE)	1	EA	13152005
2	0000018196	WIRE #6 AWG CU STRANDED W/110 MIL XLPE 500/FT	8	EA	13152005
3	0000001241	CONNECTOR TRANSFORMER TANK GRD #6 SOLID TO 1/0 STR BRZ	2	EA	13152005
4	0000004527	WIRE COP BARE SOFT DRAWN #6	15	EA	13152005
5	0000001301	CONNECTOR COMPRESSION C-SHAPE #6 SOL - #4 STR	1	EA	13152005
6	0000015543	FUSE LINK FITALL 10 AMP TYPE X	1	EA	13152005

XFMR OH 240/480-75KVA 13152007 XFMR OH 240/480 75 KVA

ID	PART NUM	PART DESC	QTY		CU-REF
1	0000022818	XFMR DIST 75KVA POLE TY 240-480V 2 BUSH (DOE)	1	EA	13152007
2	0000018196	WIRE #6 AWG CU STRANDED W/110 MIL XLPE 500/FT	8	EA	13152007
3	0000001241	CONNECTOR TRANSFORMER TANK GRD #6 SOLID TO 1/0 STR BRZ	2	EA	13152007
4	0000004527	WIRE COP BARE SOFT DRAWN #6	15	EA	13152007
5	0000001301	CONNECTOR COMPRESSION C-SHAPE #6 SOL - #4 STR	1	EA	13152007
6	0000015544	FUSE LINK FITALL 15 AMP TYPE X	1	EA	13152007

XFMR OH 240/480-100KVA 13152010 XFMR OH 240/480 100 KVA


ID	PART NUM	PART DESC	QTY		CU-REF
1	0000007019	XFMR DIST 100KVA 1PH POLE TY 240/480 2 BUSH W ARRESTER	1	EA	13152010
2	0000018196	WIRE #6 AWG CU STRANDED W/110 MIL XLPE 500/FT	8	EA	13152010
3	0000001241	CONNECTOR TRANSFORMER TANK GRD #6 SOLID TO 1/0 STR BRZ	2	EA	13152010
4	0000004527	WIRE COP BARE SOFT DRAWN #6	15	EA	13152010
5	0000001301	CONNECTOR COMPRESSION C-SHAPE #6 SOL - #4 STR	1	EA	13152010
6	0000005682	FUSE LINK FITALL 20 AMP TYPE 200 (N)	1	EA	13152010

	POLE APPARATUS TRANSFORMERS OH	1315-20
	TRANSFORMER 240/480	Sheet 3 of 3
Rev: 08/01/20		

CU-ID	CU-REF	CU-DESCRIPTION
--------------	---------------	-----------------------

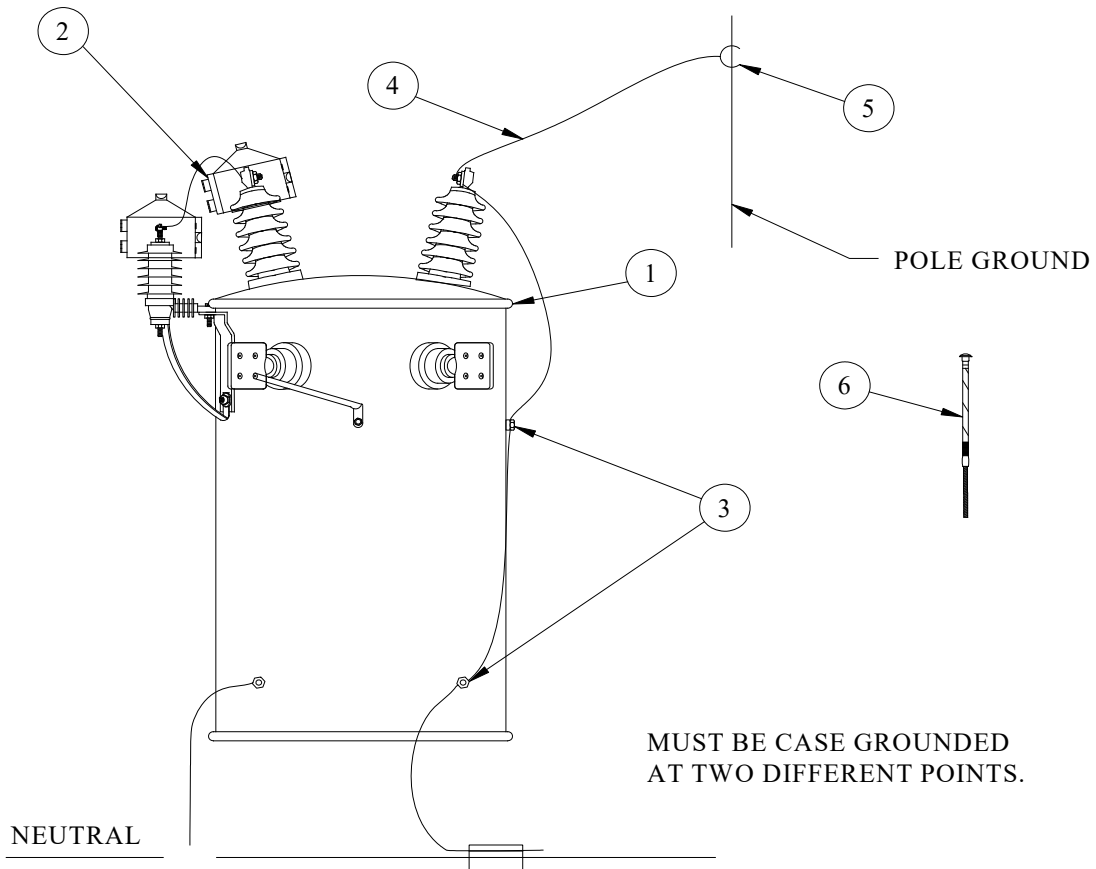
XFMROH240/480-167KVA	13152012	XFMR OH 240/480 167 KVA
----------------------	----------	-------------------------

ID	PART NUM	PART DESC	QTY	EA	CU-REF
1	0000007018	XFMR DIST 167KVA 1PH POLE TY 240/480V 2 BUSH W ARRESTER	1	EA	13152012
2	0000018196	WIRE #6 AWG CU STRANDED W/110 MIL XLPE 500/FT	8	EA	13152012
3	0000001241	CONNECTOR TRANSFORMER TANK GRD #6 SOLID TO 1/0 STR BRZ	2	EA	13152012
4	0000004527	WIRE COP BARE SOFT DRAWN #6	15	EA	13152012
5	0000001301	CONNECTOR COMPRESSION C-SHAPE #6 SOL - #4 STR	1	EA	13152012
6	0000005685	FUSE LINK FITALL 40 AMP TYPE 200 (N)	1	EA	13152012

1315-30	POLE APPRATUS TRANSFORMERS OH TRANSFORMER 277/480	
Sheet 1 of 3		Rev: 08/01/20

277/480 VOLT

- 1315-30-02 25 KVA
- 1315-30-05 50 KVA
- 1315-30-07 75 KVA
- 1315-30-10 100 KVA
- 1315-30-12 167 KVA



CU

CU-ID	CU-REF	CU-DESCRIPTION
--------------	---------------	-----------------------

XFMROH277/480-25KVA	13153002	XFMR OH 277/480 25 KVA
---------------------	----------	------------------------

ID	PART NUM	PART DESC	QTY	CU-REF
1	0000019509	XFMR DIST 1PH POLE 25 KVA 277/480 2 BUSH W/ARRESTER (DO	1 EA	13153002
2	0000018196	WIRE #6 AWG CU STRANDED W/110 MIL XLPE 500/FT	8 EA	13153002
3	0000001241	CONNECTOR TRANSFORMER TANK GRD #6 SOLID TO 1/0 STR BRZ	2 EA	13153002
4	0000004527	WIRE COP BARE SOFT DRAWN #6	15 EA	13153002
5	0000001301	CONNECTOR COMPRESSION C-SHAPE #6 SOL - #4 STR	1 EA	13153002
6	0000015542	FUSE LINK FITALL 5-1/2 AMP TYPE X	1 EA	13153002

XFMROH277/480-50KVA	13153005	XFMR OH 277/480 50 KVA
---------------------	----------	------------------------


ID	PART NUM	PART DESC	QTY	CU-REF
1	0000019510	XFMR DIST 1PH POLE 50 KVA 277/480 2 BUSH W/ARRESTER (D	1 EA	13153005
2	0000018196	WIRE #6 AWG CU STRANDED W/110 MIL XLPE 500/FT	8 EA	13153005
3	0000001241	CONNECTOR TRANSFORMER TANK GRD #6 SOLID TO 1/0 STR BRZ	2 EA	13153005
4	0000004527	WIRE COP BARE SOFT DRAWN #6	15 EA	13153005
5	0000001301	CONNECTOR COMPRESSION C-SHAPE #6 SOL - #4 STR	1 EA	13153005
6	0000015543	FUSE LINK FITALL 10 AMP TYPE X	1 EA	13153005

XFMROH277/480-75KVA	13153007	XFMR OH 277/480 75 KVA
---------------------	----------	------------------------

ID	PART NUM	PART DESC	QTY	CU-REF
1	0000019511	XFMR DIST 1PH POLE 75 KVA 277/480 2 BUSH W/ARRESTER (DO	1 EA	13153007
2	0000018196	WIRE #6 AWG CU STRANDED W/110 MIL XLPE 500/FT	8 EA	13153007
3	0000001241	CONNECTOR TRANSFORMER TANK GRD #6 SOLID TO 1/0 STR BRZ	2 EA	13153007
4	0000004527	WIRE COP BARE SOFT DRAWN #6	15 EA	13153007
5	0000001301	CONNECTOR COMPRESSION C-SHAPE #6 SOL - #4 STR	1 EA	13153007
6	0000015544	FUSE LINK FITALL 15 AMP TYPE X	1 EA	13153007

XFMROH277/480-100KVA	13153010	XFMR OH 277/480 100 KVA
----------------------	----------	-------------------------

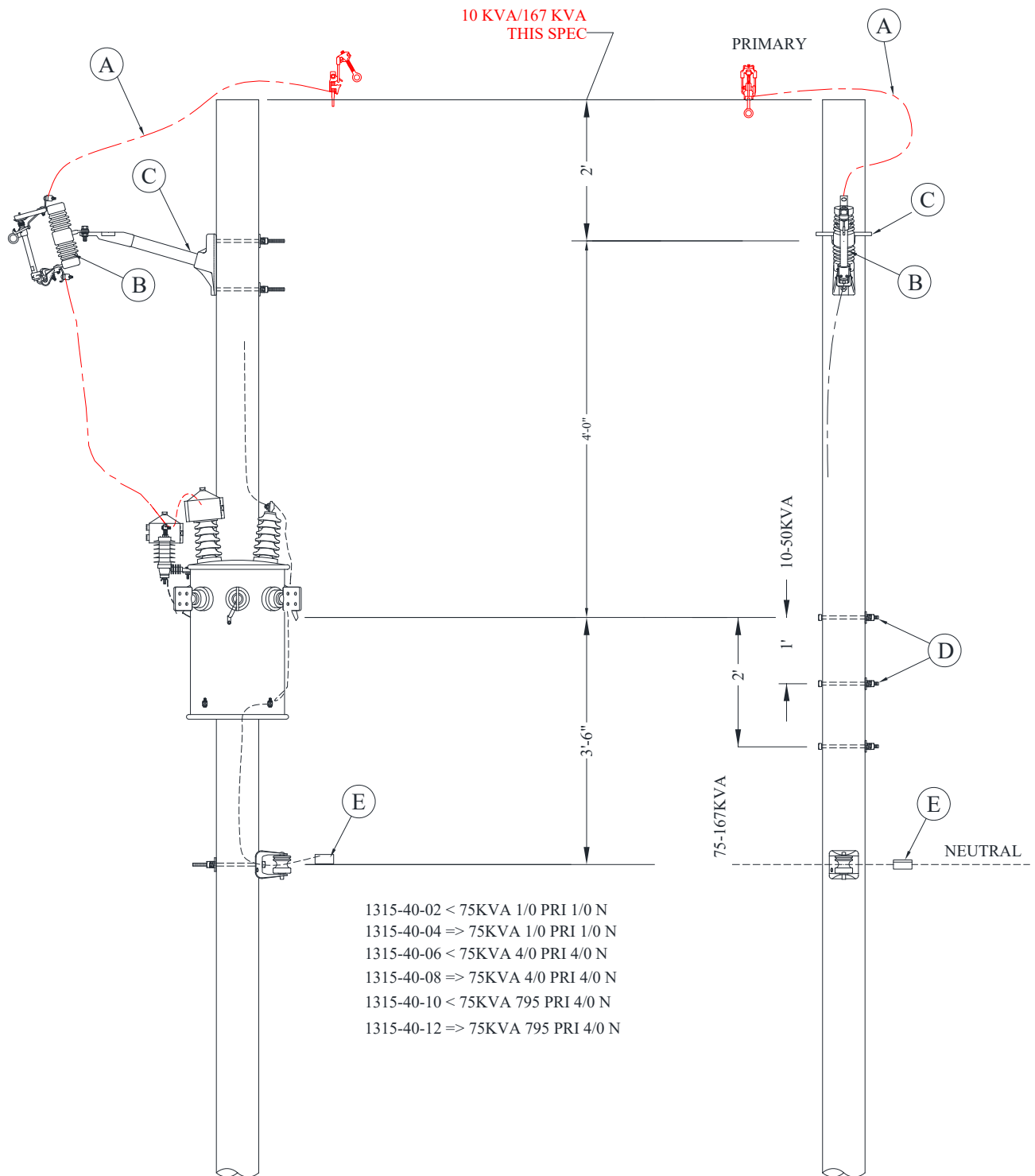
ID	PART NUM	PART DESC	QTY	CU-REF
1	0000019512	XFMR DIST 1PH POLE 100 KVA 277/480 2 BUSH W/ARRESTER (1 EA	13153010
2	0000018196	WIRE #6 AWG CU STRANDED W/110 MIL XLPE 500/FT	8 EA	13153010
3	0000001241	CONNECTOR TRANSFORMER TANK GRD #6 SOLID TO 1/0 STR BRZ	2 EA	13153010
4	0000004527	WIRE COP BARE SOFT DRAWN #6	15 EA	13153010
5	0000001301	CONNECTOR COMPRESSION C-SHAPE #6 SOL - #4 STR	1 EA	13153010
6	0000005682	FUSE LINK FITALL 20 AMP TYPE 200 (N)	1 EA	13153010


1315-30	<p style="text-align: center;">POLE APPRATUS TRANSFORMERS OH TRANSFORMER 277/480</p>	
Sheet 3 of 3		Rev: 08/01/20

CU-ID CU-REF CU-DESCRIPTION

XFMR0H277/480-167KVA 13153012 XFMR OH 277/480 167 KVA

ID	PART NUM	PART DESC	QTY		CU-REF
1	0000019513	XFMR DIST 1PH POLE 167 KVA 277/480 2 BUSH W/ARRESTER (D	1	EA	13153012
2	0000018196	WIRE #6 AWG CU STRANDED W/110 MIL XLPE 500/FT	8	EA	13153012
3	0000001241	CONNECTOR TRANSFORMER TANK GRD #6 SOLID TO 1/0 STR BRZ	2	EA	13153012
4	0000004527	WIRE COP BARE SOFT DRAWN #6	15	EA	13153012
5	0000001301	CONNECTOR COMPRESSION C-SHAPE #6 SOL - #4 STR	1	EA	13153012
6	0000005685	FUSE LINK FITALL 40 AMP TYPE 200 (N)	1	EA	13153012



1315-40	POLE APPRATUS TRANSFORMERS OH TRANSFORMER 1PH ASSEMBLY	
Sheet 2 of 3		
		Rev: 08/01/20

MU

MU-ID MU-REF MU-DESCRIPTION

XFMR1PH<75KVA1/0P1/0N 13154002 XFMR 1PH <75KVA 1/0 PRI 1/0 NEUT

ID	CU-REF	CU-DESC	QTY	MU-REF
A	13680501	JUMPER ASSY-XFMR/CAP 1/0 AL PRI	1	13154002
B	13680101	CUTOUT 15KV	1	13154002
C	13680701	BRACKET 3 EAR FG 18 IN SGL W/MOUNT BOLT	1	13154002
D	13150301	BOLT MOUNT TRANSFORMER 5/8 IN	1	13154002
E	12450202	H-TAP CU/AL 1/0-#6	1	13154002

XFMR1PH=>75KVA1/0P1/0N 13154004 XFMR 1PH =>75KVA 1/0 PRI 1/0 NEUT

ID	CU-REF	CU-DESC	QTY	MU-REF
A	13680501	JUMPER ASSY-XFMR/CAP 1/0 AL PRI	1	13154004
B	13680102	CUTOUT 15KV W/LB	1	13154004
C	13680701	BRACKET 3 EAR FG 18 IN SGL W/MOUNT BOLT	1	13154004
D	13150302	BOLT MOUNT TRANSFORMER 3/4 IN	1	13154004
E	12450202	H-TAP CU/AL 1/0-#6	1	13154004

XFMR1PH<75KVA4/0P4/0N 13154006 XFMR 1PH <75KVA 4/0 PRI 4/0 NEUT

ID	CU-REF	CU-DESC	QTY	MU-REF
A	13680502	JUMPER ASSY-XFMR/CAP 4/0 AL PRI	1	13154006
B	13680101	CUTOUT 15KV	1	13154006
C	13680701	BRACKET 3 EAR FG 18 IN SGL W/MOUNT BOLT	1	13154006
D	13150301	BOLT MOUNT TRANSFORMER 5/8 IN	1	13154006
E	12450205	H-TAP CU/AL 4/0-#6	1	13154006

XFMR1PH=>75KVA4/0P4/0N 13154008 XFMR 1PH =>75KVA 4/0 PRI 4/0 NEUT

ID	CU-REF	CU-DESC	QTY	MU-REF
A	13680502	JUMPER ASSY-XFMR/CAP 4/0 AL PRI	1	13154008
B	13680102	CUTOUT 15KV W/LB	1	13154008
C	13680701	BRACKET 3 EAR FG 18 IN SGL W/MOUNT BOLT	1	13154008
D	13150301	BOLT MOUNT TRANSFORMER 5/8 IN	1	13154008
E	12450205	H-TAP CU/AL 4/0-#6	1	13154008

XFMR1PH<75KVA795P4/0N 13154010 XFMR 1PH <75KVA 795 PRI 4/0 NEUT

ID	CU-REF	CU-DESC	QTY	MU-REF
A	13680504	JUMPER ASSY-XFMR/CAP 795 AL PRI	1	13154010
B	13680101	CUTOUT 15KV	1	13154010
C	13680701	BRACKET 3 EAR FG 18 IN SGL W/MOUNT BOLT	1	13154010
D	13150301	BOLT MOUNT TRANSFORMER 5/8 IN	1	13154010
E	12450205	H-TAP CU/AL 4/0-#6	1	13154010



**POLE APPARATUS
TRANSFORMERS OH**

1315-40

Sheet 3 of 3

Rev: 08/01/20

TRANSFORMER 1PH ASSEMBLY

MU-ID

MU-REF

MU-DESCRIPTION

XFMR1PH=>75KVA795P4/0N

13154012

XFMR 1PH =>75KVA 795 PRI 4/0 NEUT

ID	CU-REF	CU-DESC	QTY	MU-REF
A	13680504	JUMPER ASSY-XFMR/CAP 795 AL PRI	1	13154012
B	13680102	CUTOUT 15KV W/LB	1	13154012
C	13680701	BRACKET 3 EAR FG 18 IN SGL W/MOUNT BOLT	1	13154012
D	13150302	BOLT MOUNT TRANSFORMER 3/4 IN	1	13154012
E	12450205	H-TAP CU/AL 4/0-#6	1	13154012

*** GROUNDING MODULE TO BE BASED ON:**

SOIL CONDITIONS

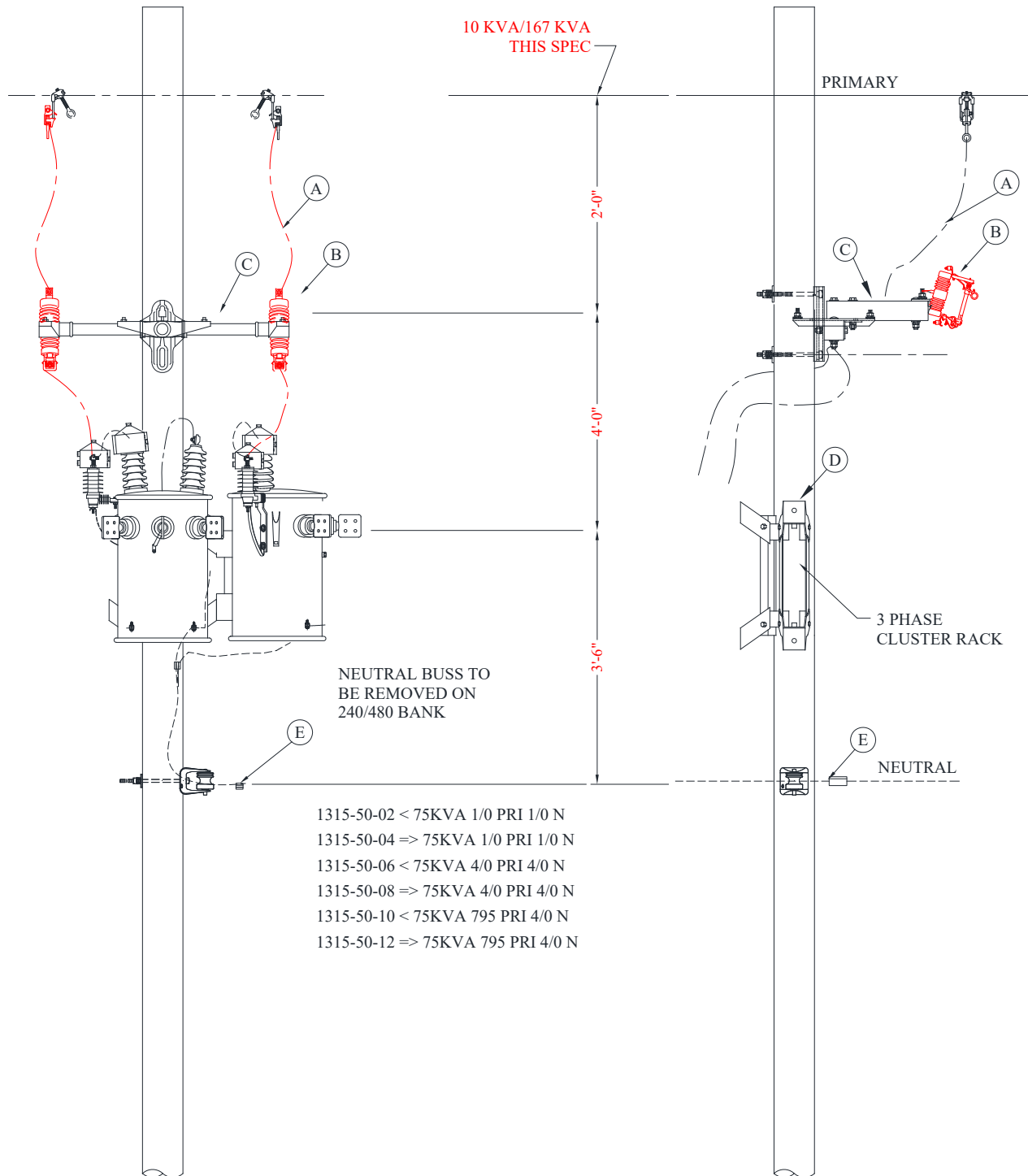
NEW CONSTRUCTION

EXISTING POLE

ASSOCIATED MODULES

	CU-REF	CU-DESCRIPTION	QTY	MU-REF
1/0 N	11192001	GRD WOOD POLE W/GRD ROD SS#6-1/0N	1	13154002
				13154004
	11192005	GRD WOOD POLE W/GRD ROD RS#6-1/0N	1	13154002
				13154004
4/0 N	11192002	GRD WOOD POLE W/GRD ROD SS#6-4/0N	1	13154006
				13154008
				13154010
				13154012
	11192006	GRD WOOD POLE W/GRD ROD RS#6-4/0N	1	13154006
				13154008
				13154010
				13154012
EXISTING POLE	11192101	GROUND ROD	1	ALL GROUPS
	11192102	GROUND ROD WITH LOW RESISTANCE BACKFILL	1	ALL GROUPS

POLE APPRATUS
TRANSFORMERS OH
TRANSFORMER OPEN DELTA ASSEMBLY



 Rev: 08/01/20	POLE APPARATUS TRANSFORMERS OH	1315-50
	TRANSFORMER OPEN DELTA ASSEMBLY	Sheet 2 of 3

MU

MU-ID MU-REF MU-DESCRIPTION

XFMR2PH<75KVA1/0P1/0N 13155002 XFMR 2PH <75KVA 1/0 PRI 1/0 NEUT

ID	CU-REF	CU-DESC	QTY	MU-REF
A	13680501	JUMPER ASSY - XFMR/CAP 1/0 AL PRI	2	13155002
B	13680101	CUTOUT 15KV	2	13155002
C	13680801	BRACKET MOUNT CUTOUT/ARRESTOR 3PH	1	13155002
D	13150501	CLUSTER MOUNT	1	13155002
E	12450202	H-TAP CU/AL 1/0- #6	2	13155002

XFMR2PH=>75KVA1/0P1/0N 13155004 XFMR 2PH =>75KVA 1/0 PRI 1/0 NEUT

ID	CU-REF	CU-DESC	QTY	MU-REF
A	13680501	JUMPER ASSY - XFMR/CAP 1/0 AL PRI	2	13155004
B	13680102	CUTOUT 15KV W/LB	2	13155004
C	13680801	BRACKET MOUNT CUTOUT/ARRESTOR 3PH	1	13155004
D	13150502	CLUSTER MOUNT WITH 3/4 IN BOLTS	1	13155004
E	12450202	H-TAP CU/AL 1/0- #6	2	13155004

XFMR2PH<75KVA4/0P4/0N 13155006 XFMR 2PH <75KVA 4/0 PRI 4/0 NEUT


ID	CU-REF	CU-DESC	QTY	MU-REF
A	13680502	JUMPER ASSY - XFMR/CAP 4/0 AL PRI	2	13155006
B	13680101	CUTOUT 15KV	2	13155006
C	13680801	BRACKET MOUNT CUTOUT/ARRESTOR 3PH	1	13155006
D	13150501	CLUSTER MOUNT	1	13155006
E	12450205	H-TAP CU/AL 4/0- #6	2	13155006

XFMR2PH=>75KVA4/0P4/0N 13155008 XFMR 2PH =>75KVA 4/0 PRI 4/0 NEUT

ID	CU-REF	CU-DESC	QTY	MU-REF
A	13680502	JUMPER ASSY - XFMR/CAP 4/0 AL PRI	2	13155008
B	13680102	CUTOUT 15KV W/LB	2	13155008
C	13680801	BRACKET MOUNT CUTOUT/ARRESTOR 3PH	1	13155008
D	13150502	CLUSTER MOUNT WITH 3/4 IN BOLTS	1	13155008
E	12450205	H-TAP CU/AL 4/0- #6	2	13155008

XFMR2PH<75KVA795P4/0N 13155010 XFMR 2PH <75KVA 795 PRI 4/0 NEUT

ID	CU-REF	CU-DESC	QTY	MU-REF
A	13680504	JUMPER ASSY - XFMR/CAP 795 AL PRI	2	13155010
B	13680101	CUTOUT 15KV	2	13155010
C	13680801	BRACKET MOUNT CUTOUT/ARRESTOR 3PH	1	13155010
D	13150501	CLUSTER MOUNT	1	13155010
E	12450205	H-TAP CU/AL 4/0- #6	2	13155010

1315-50	POLE APPRATUS	
Sheet 3 of 3	TRANSFORMERS OH	
	TRANSFORMER OPEN DELTA ASSEMBLY	
		Rev: 08/01/20

MU-ID	MU-REF	MU-DESCRIPTION
--------------	---------------	-----------------------

XFMR2PH=>75KVA795P4/0N	13155012	XFMR 2PH =>75KVA 795 PRI 4/0 NEUT
------------------------	----------	-----------------------------------

ID	CU-REF	CU-DESC	QTY	MU-REF
A	13680504	JUMPER ASSY-XFMR/CAP 795 AL PRI	2	13155012
B	13680102	CUTOUT 15KV W/LB	2	13155012
C	13680801	BRACKET MOUNT CUTOUT/ARRESTOR 3PH	1	13155012
D	13150502	CLUSTER MOUNT WITH 3/4 IN BOLTS	1	13155012
E	12450205	H-TAP CU/AL 4/0-#6	2	13155012

*** GROUNDING MODULE TO BE BASED ON:**

SOIL CONDITIONS

NEW CONSTRUCTION

EXISTING POLE

ASSOCIATED MODULES

	CU-REF	CU-DESCRIPTION	QTY	MU-REF
1/0 N	11192001	GRD WOOD POLE W/GRD ROD SS#6-1/0N	1	13155002
				13155004
	11192005	GRD WOOD POLE W/GRD ROD RS#6-1/0N	1	13155002
				13155004
4/0 N	11192002	GRD WOOD POLE W/GRD ROD SS#6-4/0N	1	13155006
				13155008
				13155010
				13155012
	11192006	GRD WOOD POLE W/GRD ROD RS#6-4/0N	1	13155006
				13155008
				13155010
				13155012
EXISTING POLE	11192101	GROUND ROD	1	ALL GROUPS
	11192102	GROUND ROD WITH LOW RESISTANCE BACKFILL	1	ALL GROUPS

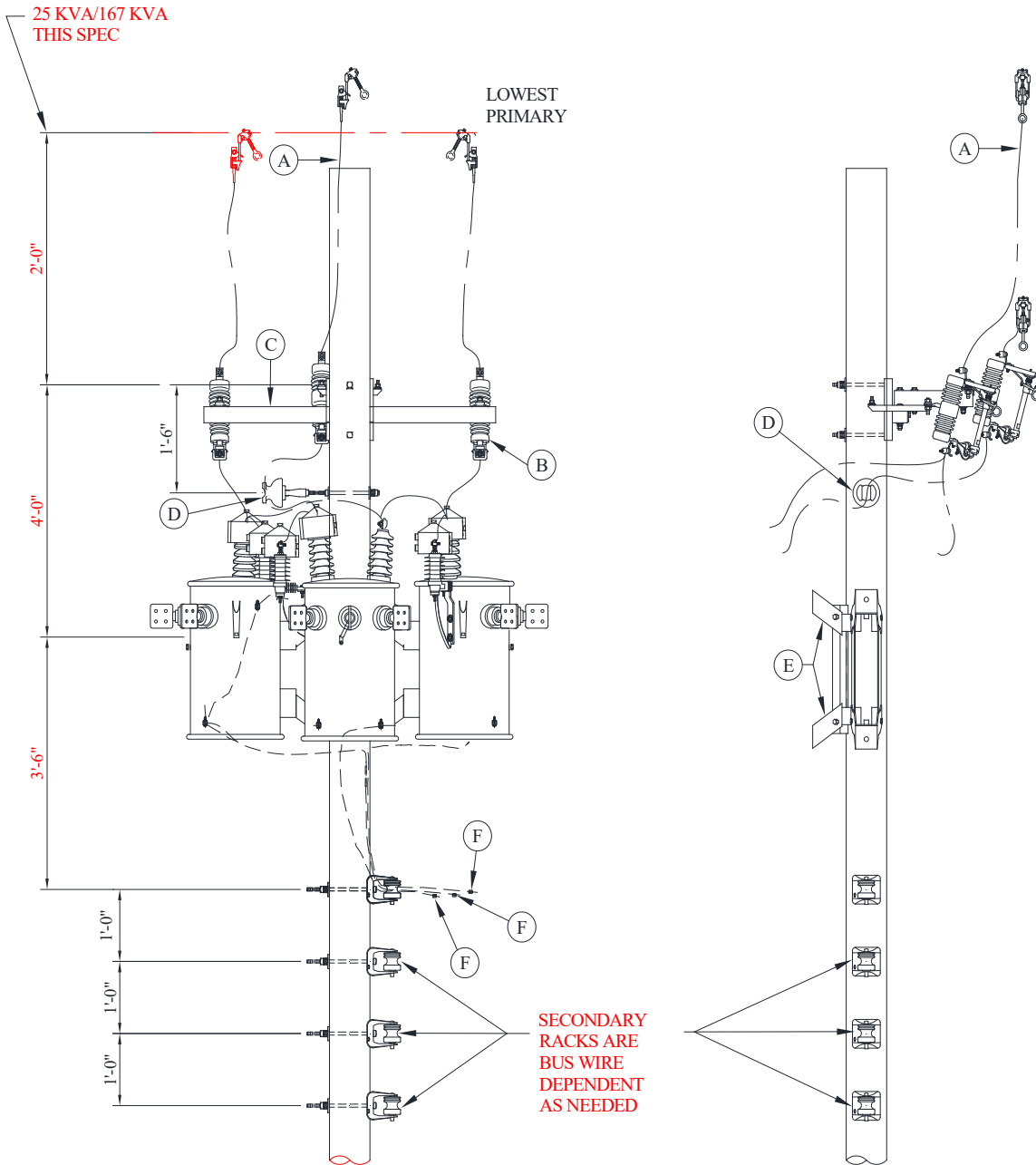


Rev: 08/01/20


POLE APPARATUS TRANSFORMERS OH TRANSFORMER 3PH ASSEMBLY

1315-60

Sheet 1 of 3



- 1315-60-02 < 75KVA 1/0 PRI 1/0 N
- 1315-60-04 => 75KVA 1/0 PRI 1/0 N
- 1315-60-06 < 75KVA 4/0 PRI 4/0 N
- 1315-60-08 => 75KVA 4/0 PRI 4/0 N
- 1315-60-10 < 75KVA 795 PRI 4/0 N
- 1315-60-12 => 75KVA 795 PRI 4/0 N

1315-60	POLE APPRATUS TRANSFORMERS OH TRANSFORMER 3PH ASSEMBLY	
Sheet 2 of 3		
		Rev: 08/01/20

MU

MU-ID MU-REF MU-DESCRIPTION

XFMR3PH<75KVA1/0P1/0N 13156002 XFMR 3PH <75KVA 1/0 PRI 1/0 NEUT

ID	CU-REF	CU-DESC	QTY	MU-REF
A	13680501	JUMPER ASSY-XFMR/CAP 1/0 AL PRI	3	13156002
B	13680101	CUTOUT 15KV	3	13156002
C	13680801	BRACKET MOUNT CUTOUT/ARRESTOR 3PH	1	13156002
D	11200901	INSULATOR W/ADAPTOR PIN	1	13156002
E	13150501	CLUSTER MOUNT	1	13156002
F	12450202	H-TAP CU/AL 1/0- #6	3	13156002

XFMR3PH=>75KVA1/0P1/0N 13156004 XFMR 3PH =>75KVA 1/0 PRI 1/0 NEUT


ID	CU-REF	CU-DESC	QTY	MU-REF
A	13680501	JUMPER ASSY-XFMR/CAP 1/0 AL PRI	3	13156004
B	13680102	CUTOUT 15KV W/LB	3	13156004
C	13680801	BRACKET MOUNT CUTOUT/ARRESTOR 3PH	1	13156004
D	11200901	INSULATOR W/ADAPTOR PIN	1	13156004
E	13150502	CLUSTER MOUNT WITH 3/4 IN BOLTS	1	13156004
F	12450202	H-TAP CU/AL 1/0- #6	3	13156004

XFMR3PH<75KVA4/0P4/0N 13156006 XFMR 3PH <75KVA 4/0 PRI 4/0 NEUT

ID	CU-REF	CU-DESC	QTY	MU-REF
A	13680502	JUMPER ASSY-XFMR/CAP 4/0 AL PRI	3	13156006
B	13680101	CUTOUT 15KV	3	13156006
C	13680801	BRACKET MOUNT CUTOUT/ARRESTOR 3PH	1	13156006
D	11200901	INSULATOR W/ADAPTOR PIN	1	13156006
E	13150501	CLUSTER MOUNT	1	13156006
F	12450205	H-TAP CU/AL 4/0- #6	3	13156006

XFMR3PH=>75KVA4/0P4/0N 13156008 XFMR 3PH =>75KVA 4/0 PRI 4/0 NEUT

ID	CU-REF	CU-DESC	QTY	MU-REF
A	13680502	JUMPER ASSY-XFMR/CAP 4/0 AL PRI	3	13156008
B	13680102	CUTOUT 15KV W/LB	3	13156008
C	13680801	BRACKET MOUNT CUTOUT/ARRESTOR 3PH	1	13156008
D	11200901	INSULATOR W/ADAPTOR PIN	1	13156008
E	13150502	CLUSTER MOUNT WITH 3/4 IN BOLTS	1	13156008
F	12450205	H-TAP CU/AL 4/0- #6	3	13156008

	POLE APPARATUS TRANSFORMERS OH	1315-60
	TRANSFORMER 3PH ASSEMBLY	Sheet 3 of 3
Rev: 08/01/20		

MU-ID	MU-REF	MU-DESCRIPTION
--------------	---------------	-----------------------

XFMR3PH<75KVA795P4/0N	13156010	XFMR 3PH <75KVA 795 PRI 4/0 NEUT
-----------------------	----------	----------------------------------

ID	CU-REF	CU-DESC	QTY	MU-REF
A	13680504	JUMPER ASSY - XFMR/CAP 795 AL PRI	3	13156010
B	13680101	CUTOUT 15KV	3	13156010
C	13680801	BRACKET MOUNT CUTOUT/ARRESTOR 3PH	1	13156010
D	11200901	INSULATOR W/ADAPTOR PIN	1	13156010
E	13150502	CLUSTER MOUNT WITH 3/4 IN BOLTS	1	13156010
F	12450205	H-TAP CU/AL 4/0-#6	3	13156010

XFMR3PH=>75KVA795P4/0N	13156012	XFMR 3PH =>75KVA 795 PRI 4/0 NEUT
------------------------	----------	-----------------------------------

ID	CU-REF	CU-DESC	QTY	MU-REF
A	13680504	JUMPER ASSY - XFMR/CAP 795 AL PRI	3	13156012
B	13680102	CUTOUT 15KV W/LB	3	13156012
C	13680801	BRACKET MOUNT CUTOUT/ARRESTOR 3PH	1	13156012
D	11200901	INSULATOR W/ADAPTOR PIN	1	13156012
E	13150502	CLUSTER MOUNT WITH 3/4 IN BOLTS	1	13156012
F	12450205	H-TAP CU/AL 4/0-#6	3	13156012

*** GROUNDING MODULE TO BE BASED ON:**

SOIL CONDITIONS

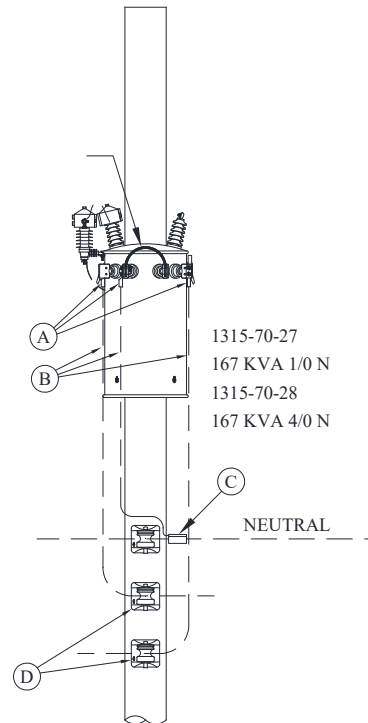
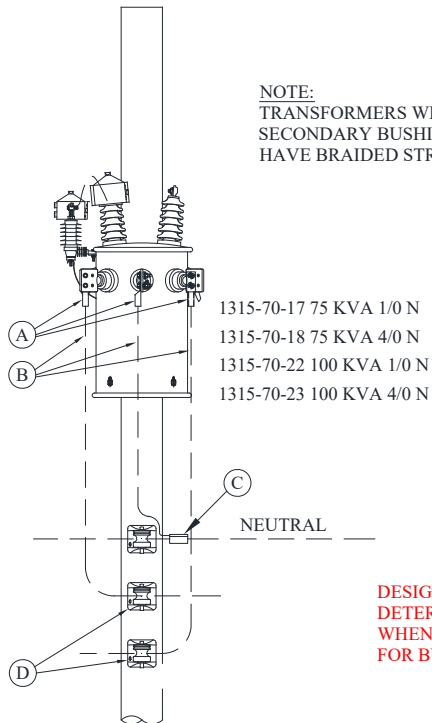
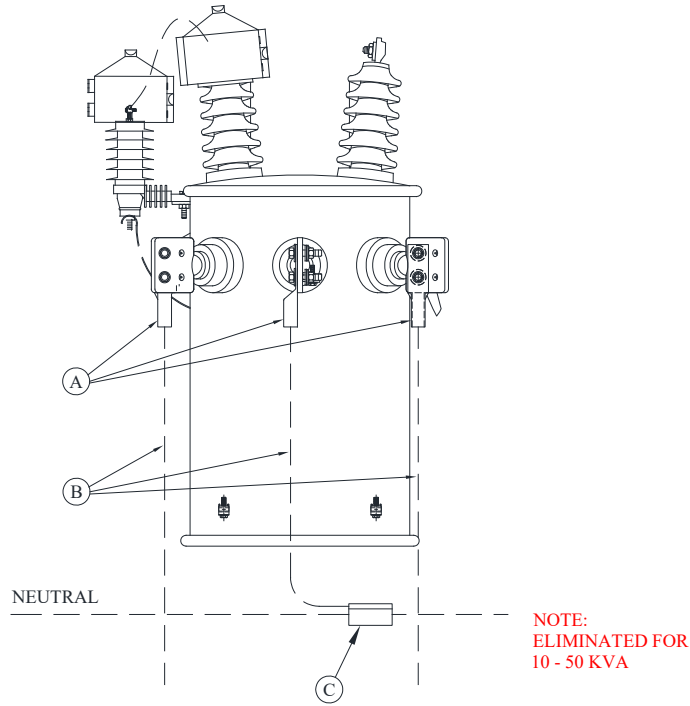
NEW CONSTRUCTION

EXISTING POLE


ASSOCIATED MODULES

	CU-REF	CU-DESCRIPTION	QTY	MU-REF
1/0 N	11192001	GRD WOOD POLE W/GRD ROD SS#6-1/0N	1	13156002
				13156004
	11192005	GRD WOOD POLE W/GRD ROD RS#6-1/0N	1	13156002
				13156004
4/0 N				13156006
	11192002	GRD WOOD POLE W/GRD ROD SS#6-4/0N	1	13156008
				13156010
				13156012
				13156006
	11192006	GRD WOOD POLE W/GRD ROD RS#6-4/0N	1	13156008
				13156010
				13156012
EXISTING POLE	11192101	GROUND ROD	1	ALL GROUPS
	11192102	GROUND ROD WITH LOW RESISTANCE BACKFILL	1	ALL GROUPS

POLE APPRATUS
TRANSFORMERS OH
BUS WIRE 1PH TRANSFORMER



DESIGN
DETERMINE
WHEN TO CALL
FOR BUS WIRE.

 Rev: 08/01/20	POLE APPARATUS TRANSFORMERS OH	1315-70
	BUS WIRE 1PH TRANSFORMER	
	Sheet 2 of 3	

MU

MU-ID

MU-REF

MU-DESCRIPTION

BUSSWIRE10KVA1/0N 13157002 BUSS WIRE 10 KVA 1/0 N

ID	CU-REF	CU-DESC	QTY	MU-REF
A	12451105	LUG SGL CU/AL #2 W/BOLTS	3	13157002
B	12080217	WIRE 1/0 CU XLP	25	13157002
C	12450202	H-TAP CU/AL 1/0-#6	1	13157002

BUSSWIRE10KVA4/0N 13157003 BUSS WIRE 10 KVA 4/0 N

ID	CU-REF	CU-DESC	QTY	MU-REF
A	12451105	LUG SGL CU/AL #2 W/BOLTS	3	13157003
B	12080226	WIRE 4/0 CU STRANDED WP	25	13157003
C	12450205	H-TAP CU/AL 4/0-#6	1	13157003

BUSSWIRE25KVA1/0N 13157007 BUSS WIRE 25 KVA 1/0 N

ID	CU-REF	CU-DESC	QTY	MU-REF
A	12451111	LUG SGL CU/AL 4/0 W/BOLTS	3	13157007
B	12080217	WIRE 1/0 CU XLP	1	13157007
C	12450206	H-TAP CU/AL 4/0-1/0	1	13157007

BUSSWIRE25KVA4/0N 13157008 BUSS WIRE 25 KVA 4/0 N

ID	CU-REF	CU-DESC	QTY	MU-REF
A	12451111	LUG SGL CU/AL 4/0 W/BOLTS	3	13157008
B	12080217	WIRE 1/0 CU XLP	25	13157008
C	12450207	H-TAP CU/AL 4/0-4/0	1	13157008

BUSSWIRE50KVA1/0N 13157012 BUSS WIRE 50 KVA 1/0 N


ID	CU-REF	CU-DESC	QTY	MU-REF
A	12451111	LUG SGL CU/AL 4/0 W/BOLTS	3	13157012
B	12080226	WIRE 4/0 CU STRANDED WP	25	13157012
C	12450206	H-TAP CU/AL 4/0-1/0	1	13157012

BUSSWIRE50KVA4/0N 13157013 BUSS WIRE 50 KVA 4/0 N

ID	CU-REF	CU-DESC	QTY	MU-REF
A	12451111	LUG SGL CU/AL 4/0 W/BOLTS	3	13157013
B	12080226	WIRE 4/0 CU STRANDED WP	25	13157013
C	12450207	H-TAP CU/AL 4/0-4/0	1	13157013

BUSSWIRE75KVA1/0N 13157017 BUSS WIRE 75 KVA 1/0 N

ID	CU-REF	CU-DESC	QTY	MU-REF
A	12451115	LUG SGL CU/AL 350 W/BOLTS	3	13157017
B	12080117	WIRE 350 AL 1C INSULATED	30	13157017
C	12450780	CLAMP 1 BOLT CU/AL # 6-800	1	13157017
D	11201003	BRKT RACK 1 POINT 14 IN-SGL	2	13157017

1315-70	POLE APPRATUS TRANSFORMERS OH BUS WIRE 1PH TRANSFORMER	 Rev: 08/01/20
Sheet 3 of 3		

MU-ID	MU-REF	MU-DESCRIPTION		
BUSSWIRE75KVA4/0N	13157018	BUSS WIRE 75 KVA 4/0 N		
ID	CU-REF	CU-DESC	QTY	MU-REF
A	12451115	LUG SGL CU/AL 350 W/BOLTS	3	13157018
B	12080117	WIRE 350 AL 1C INSULATED	30	13157018
C	12450783	CLAMP 2 BOLT CU/AL 600-4/0	1	13157018
D	11201003	BRKT RACK 1 POINT 14 IN-SGL	2	13157018
BUSSWIRE100KVA1/0N	13157022	BUSS WIRE 100 KVA 1/0 N		
ID	CU-REF	CU-DESC	QTY	MU-REF
A	12451157	LUG SGL CU 500 W/BOLTS	3	13157022
B	12080240	WIRE 500 CU MCM 1C	30	13157022
C	12450780	CLAMP 1 BOLT CU/AL # 6-800	1	13157022
D	11201003	BRKT RACK 1 POINT 14 IN-SGL	2	13157022
BUSSWIRE100KVA4/0N	13157023	BUSS WIRE 100 KVA 4/0 N		
ID	CU-REF	CU-DESC	QTY	MU-REF
A	12451157	LUG SGL CU 500 W/BOLTS	3	13157023
B	12080240	WIRE 500 CU MCM 1C	30	13157023
C	12450783	CLAMP 2 BOLT CU/AL 600-4/0	1	13157023
D	11201003	BRKT RACK 1 POINT 14 IN-SGL	2	13157023
BUSSWIRE167KVA1/0N	13157027	BUSS WIRE 167 KVA 1/0 N		
ID	CU-REF	CU-DESC	QTY	MU-REF
A	12451176	LUG DBL CU 500 W/BOLTS	3	13157027
B	12080240	WIRE 500 CU MCM 1C	60	13157027
C	12450503	CLAMP 2 BOLT CAD 750	1	13157027
D	11201003	BRKT RACK 1 POINT 14 IN-SGL	2	13157027
BUSSWIRE167KVA4/0N	13157028	BUSS WIRE 167 KVA 4/0 N		
ID	CU-REF	CU-DESC	QTY	MU-REF
A	12451176	LUG DBL CU 500 W/BOLTS	3	13157028
B	12080240	WIRE 500 CU MCM 1C	60	13157028
C	12450504	CLAMP 2 BOLT CAD 1000	1	13157028
D	11201003	BRKT RACK 1 POINT 14 IN-SGL	2	13157028



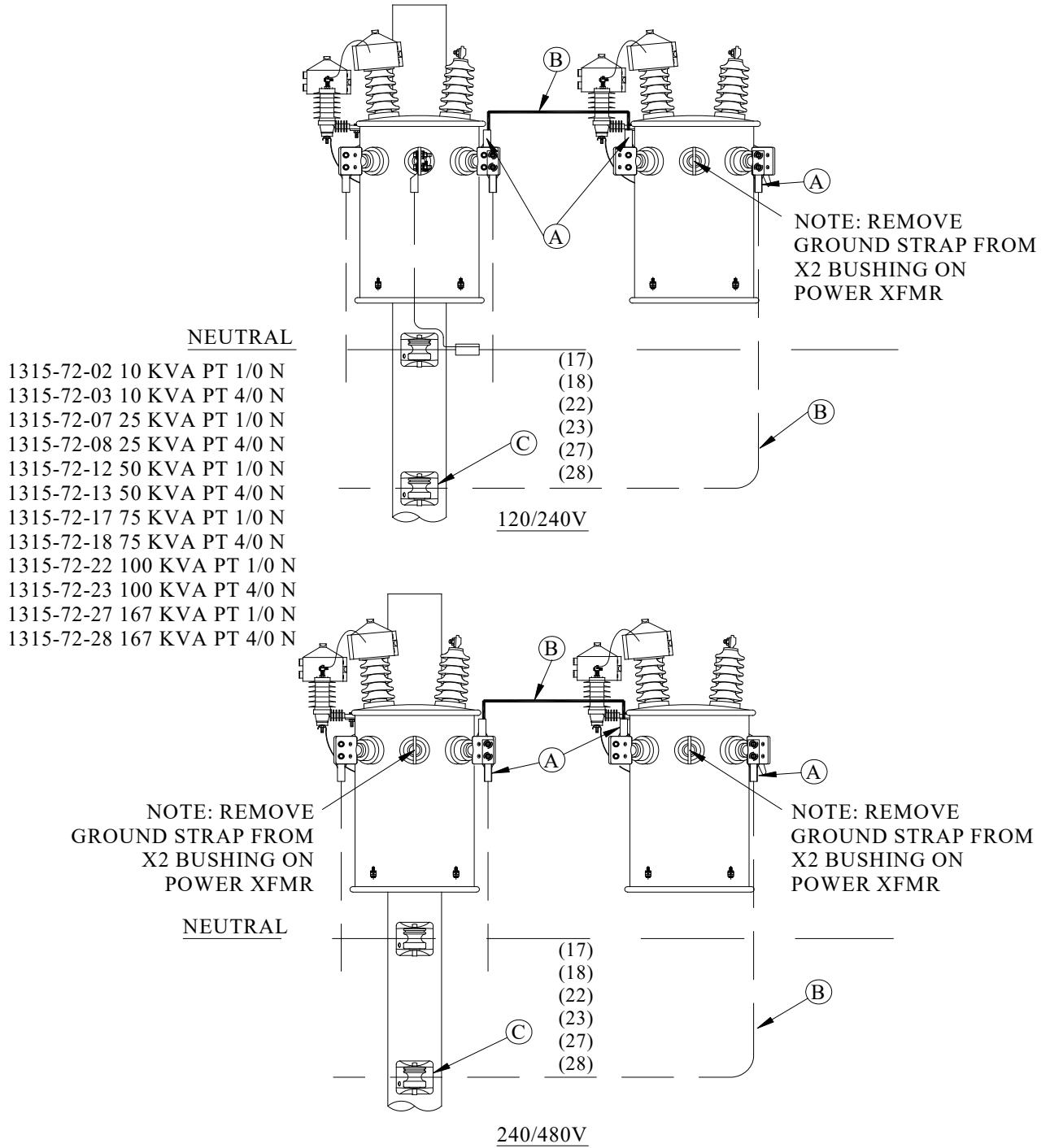
Rev: 08/01/20


POLE APPARATUS TRANSFORMERS OH

BUS WIRE POWER TRANSFORMER

1315-72

Sheet 1 of 3



1315-72	POLE APPRATUS TRANSFORMERS OH BUS WIRE POWER TRANSFORMER	 Rev: 08/01/20
Sheet 2 of 3		

MU

MU-ID MU-REF MU-DESCRIPTION

BUSSWIRE10KVAPT1/0N 13157202 BUSS WIRE 10 KVA PT 1/0 N

ID	CU-REF	CU-DESC	QTY	MU-REF
A	12451105	LUG SGL CU/AL #2 W/BOLTS	3	13157202
B	12080214	WIRE # 2 CU STRANDED WP	20	13157202

BUSSWIRE10KVAPT4/0N 13157203 BUSS WIRE 10 KVA PT 4/0 N

ID	CU-REF	CU-DESC	QTY	MU-REF
A	12451105	LUG SGL CU/AL #2 W/BOLTS	3	13157203
B	12080214	WIRE # 2 CU STRANDED WP	20	13157203

BUSSWIRE25KVAPT1/0N 13157207 BUSS WIRE 25 KVA PT 1/0 N

ID	CU-REF	CU-DESC	QTY	MU-REF
A	12451111	LUG SGL CU/AL 4/0 W/BOLTS	3	13157207
B	12080110	WIRE 4/0 AL 1C INSULATED	20	13157207

BUSSWIRE25KVAPT4/0N 13157208 BUSS WIRE 25 KVA PT 4/0 N

ID	CU-REF	CU-DESC	QTY	MU-REF
A	12451111	LUG SGL CU/AL 4/0 W/BOLTS	3	13157208
B	12080110	WIRE 4/0 AL 1C INSULATED	20	13157208

BUSSWIRE50KVAPT1/0N 13157212 BUSS WIRE 50 KVA PT 1/0 N


ID	CU-REF	CU-DESC	QTY	MU-REF
A	12451111	LUG SGL CU/AL 4/0 W/BOLTS	3	13157212
B	12080226	WIRE 4/0 CU STRANDED WP	20	13157212

BUSSWIRE50KVAPT4/0N 13157213 BUSS WIRE 50 KVA PT 4/0 N

ID	CU-REF	CU-DESC	QTY	MU-REF
A	12451111	LUG SGL CU/AL 4/0 W/BOLTS	3	13157213
B	12080226	WIRE 4/0 CU STRANDED WP	20	13157213

BUSSWIRE75KVAPT1/0N 13157217 BUSS WIRE 75 KVA PT 1/0 N

ID	CU-REF	CU-DESC	QTY	MU-REF
A	12451115	LUG SGL CU/AL 350 W/BOLTS	3	13157217
B	12080117	WIRE 350 AL 1C INSULATED	25	13157217
C	11201003	BRKT RACK 1 POINT 14 IN-SGL	1	13157217

	POLE APPARATUS TRANSFORMERS OH	1315-72
	BUS WIRE POWER TRANSFORMER	Sheet 3 of 3
Rev: 08/01/20		

MU-ID	MU-REF	MU-DESCRIPTION
--------------	---------------	-----------------------

BUSSWIRE75KVAPT4/0N	13157218	BUSS WIRE 75 KVA PT 4/0 N
---------------------	----------	---------------------------

ID	CU-REF	CU-DESC	QTY	MU-REF
A	12451115	LUG SGL CU/AL 350 W/BOLTS	3	13157218
B	12080117	WIRE 350 AL 1C INSULATED	25	13157218
C	11201003	BRKT RACK 1 POINT 14 IN-SGL	1	13157218

BUSSWIRE100KVAPT1/0N	13157222	BUSS WIRE 100 KVA PT 1/0 N
----------------------	----------	----------------------------

ID	CU-REF	CU-DESC	QTY	MU-REF
A	12451157	LUG SGL CU 500 W/BOLTS	2	13157222
B	12080240	WIRE 500 CU MCM 1C	25	13157222
C	11201003	BRKT RACK 1 POINT 14 IN-SGL	1	13157222

BUSSWIRE100KVAPT4/0N	13157223	BUSS WIRE 100 KVA PT 4/0 N
----------------------	----------	----------------------------

ID	CU-REF	CU-DESC	QTY	MU-REF
A	12451157	LUG SGL CU 500 W/BOLTS	2	13157223
B	12080240	WIRE 500 CU MCM 1C	25	13157223
C	11201003	BRKT RACK 1 POINT 14 IN-SGL	1	13157223

BUSSWIRE167KVAPT1/0N	13157227	BUSS WIRE 167 KVA PT 1/0 N
----------------------	----------	----------------------------

ID	CU-REF	CU-DESC	QTY	MU-REF
A	12451176	LUG DBL CU 500 W/BOLTS	3	13157227
B	12080240	WIRE 500 CU MCM 1C	50	13157227
C	11201003	BRKT RACK 1 POINT 14 IN-SGL	1	13157227

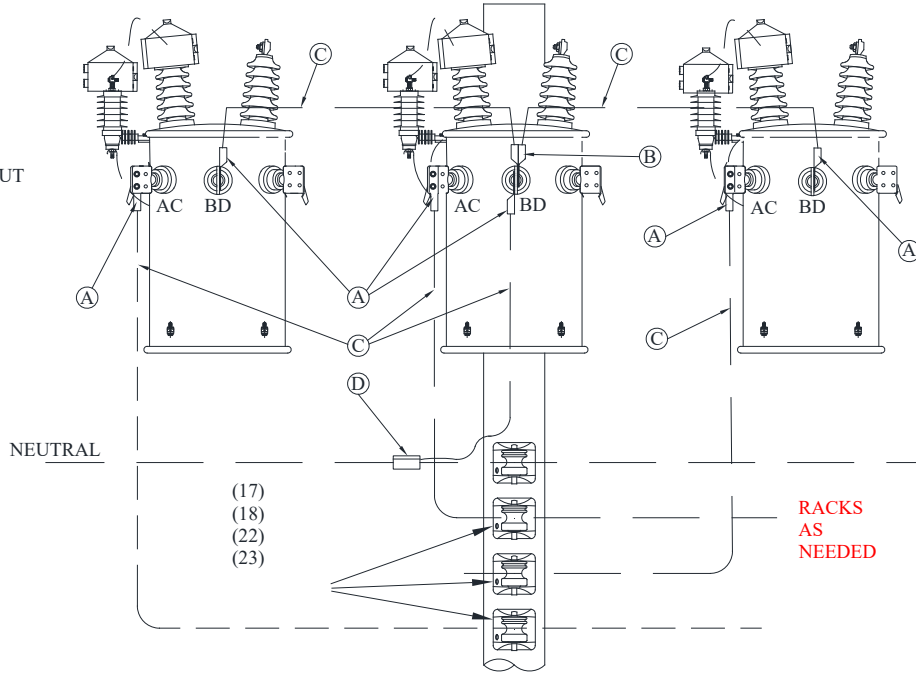
BUSSWIRE167KVAPT4/0N	13157228	BUSS WIRE 167 KVA PT 4/0 N
----------------------	----------	----------------------------

ID	CU-REF	CU-DESC	QTY	MU-REF
A	12451176	LUG DBL CU 500 W/BOLTS	3	13157228
B	12080240	WIRE 500 CU MCM 1C	50	13157228
C	11201003	BRKT RACK 1 POINT 14 IN-SGL	1	13157228

POLE APPRATUS
TRANSFORMERS OH
BUS WIRE WYE BANKS 10- 100KVA



NOTE:
MUST BE CUT
INTERNAL
A-C - X₃
B-D - X₂

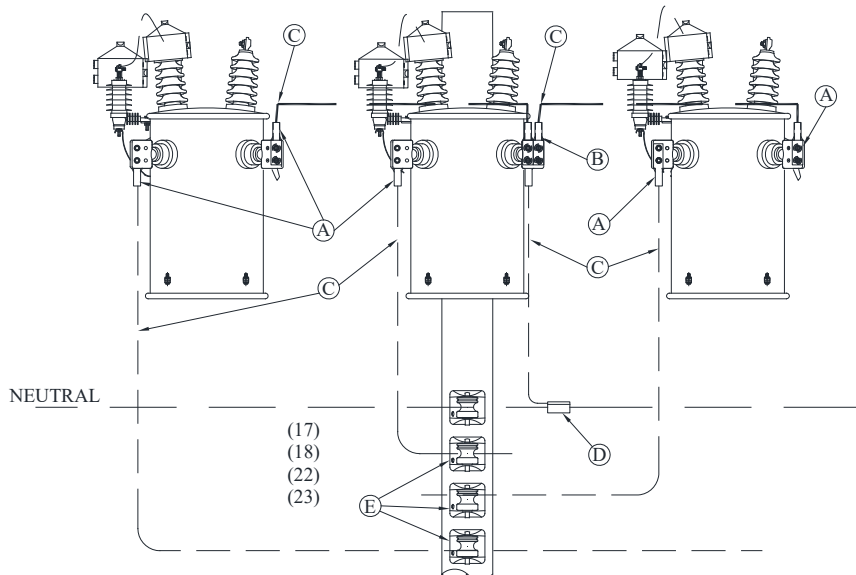


- 1315-73-02 10 KVA WYE 1/0 N
- 1315-73-07 25 KVA WYE 1/0 N
- 1315-73-12 50 KVA WYE 1/0 N
- 1315-73-17 75 KVA WYE 1/0 N
- 1315-73-22 100 KVA WYE 1/0 N

120/208V

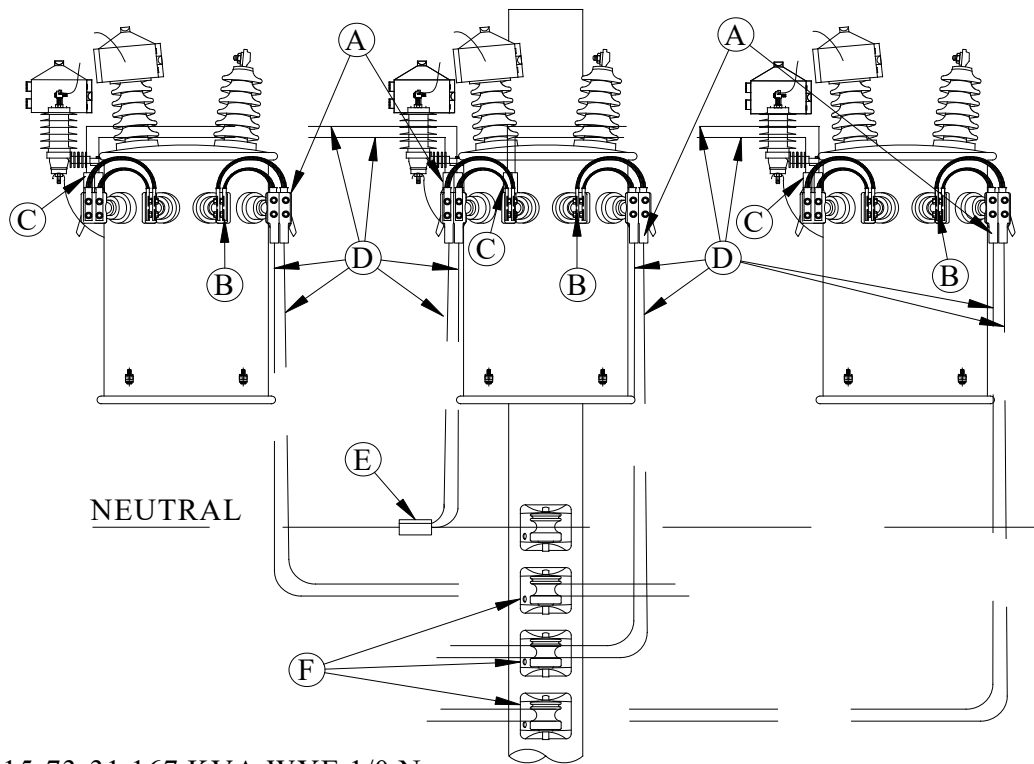
- 1315-73-03 10 KVA WYE 4/0 N
- 1315-73-08 25 KVA WYE 4/0 N
- 1315-73-13 50 KVA WYE 4/0 N
- 1315-73-18 75 KVA WYE 4/0 N
- 1315-73-23 100 KVA WYE 4/0 N

RACKS
AS
NEEDED



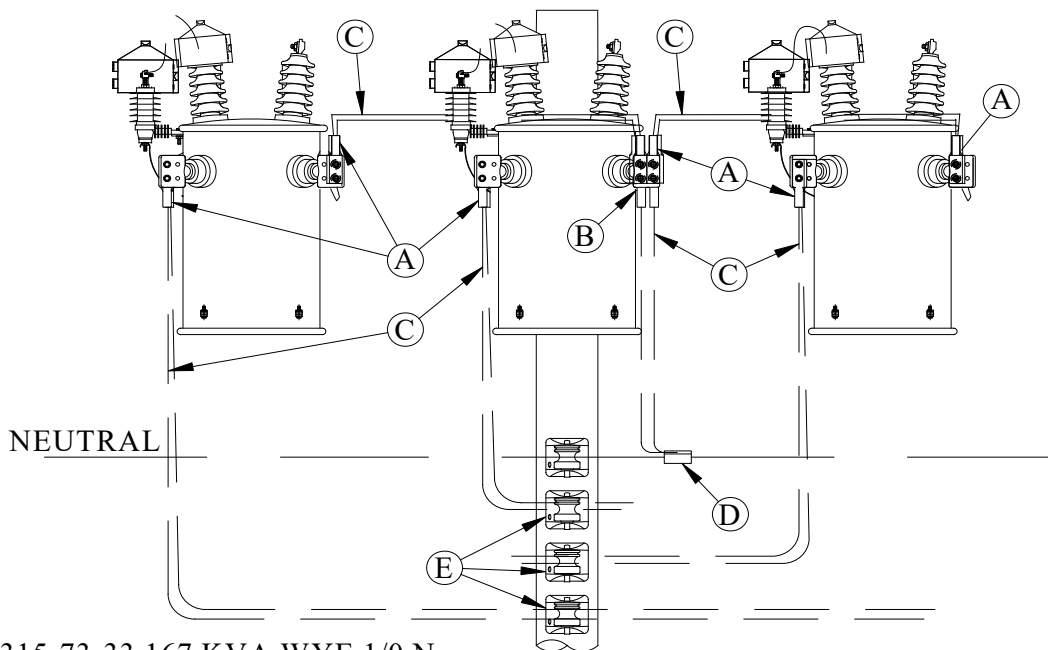
277/480V

B




1315-73-31 167 KVA WYE 1/0 N
1315-73-32 167 KVA WYE 4/0 N

120/208V



1315-73-33 167 KVA WYE 1/0 N
1315-73-34 167 KVA WYE 4/0 N

277/480V

1315-73	POLE APPRATUS	
Sheet 3 of 5	TRANSFORMERS OH	
	BUS WIRE WYE BANKS 167KVA	
		Rev: 08/01/20

MU

MU-ID MU-REF MU-DESCRIPTION

BUSSWIRE10KVAWYE1/0N 13157302 BUSS WIRE 10 KVA WYE 1/0 N

ID	CU-REF	CU-DESC	QTY	MU-REF
A	12451105	LUG SGL CU/AL #2 W/BOLTS	6	13157302
B	12451130	LUG DBL CU/AL #2 W/BOLTS	1	13157302
C	12080214	WIRE # 2 CU STRANDED WP	40	13157302
D	12450202	H-TAP CU/AL 1/0-#6	1	13157302

BUSSWIRE10KVAWYE4/0N 13157303 BUSS WIRE 10 KVA WYE 4/0 N

ID	CU-REF	CU-DESC	QTY	MU-REF
A	12451105	LUG SGL CU/AL #2 W/BOLTS	6	13157303
B	12451130	LUG DBL CU/AL #2 W/BOLTS	1	13157303
C	12080214	WIRE # 2 CU STRANDED WP	40	13157303
D	12450205	H-TAP CU/AL 4/0-#6	1	13157303

BUSSWIRE25KVAWYE1/0N 13157307 BUSS WIRE 25 KVA WYE 1/0 N

ID	CU-REF	CU-DESC	QTY	MU-REF
A	12451111	LUG SGL CU/AL 4/0 W/BOLTS	6	13157307
B	12451134	LUG DBL CU/AL 4/0 W/BOLTS	1	13157307
C	12080110	WIRE 4/0 AL 1C INSULATED	40	13157307
D	12450206	H-TAP CU/AL 4/0-1/0	1	13157307

BUSSWIRE25KVAWYE4/0N 13157308 BUSS WIRE 25 KVA WYE 4/0 N

ID	CU-REF	CU-DESC	QTY	MU-REF
A	12451111	LUG SGL CU/AL 4/0 W/BOLTS	6	13157308
B	12451134	LUG DBL CU/AL 4/0 W/BOLTS	1	13157308
C	12080110	WIRE 4/0 AL 1C INSULATED	40	13157308
D	12450207	H-TAP CU/AL 4/0-4/0	1	13157308


BUSSWIRE50KVAWYE1/0N 13157312 BUSS WIRE 50 KVA WYE 1/0 N

ID	CU-REF	CU-DESC	QTY	MU-REF
A	12451111	LUG SGL CU/AL 4/0 W/BOLTS	6	13157312
B	12451134	LUG DBL CU/AL 4/0 W/BOLTS	1	13157312
C	12080226	WIRE 4/0 CU STRANDED WP	40	13157312
D	12450206	H-TAP CU/AL 4/0-1/0	1	13157312

BUSSWIRE50KVAWYE4/0N 13157313 BUSS WIRE 50 KVA WYE 4/0 N

ID	CU-REF	CU-DESC	QTY	MU-REF
A	12451111	LUG SGL CU/AL 4/0 W/BOLTS	6	13157313
B	12451134	LUG DBL CU/AL 4/0 W/BOLTS	1	13157313
C	12080226	WIRE 4/0 CU STRANDED WP	40	13157313
D	12450207	H-TAP CU/AL 4/0-4/0	1	13157313

MU-ID	MU-REF	MU-DESCRIPTION			
BUSSWIRE75KVAWYE1/0N	13157317	BUSS WIRE 75 KVA WYE 1/0 N			
ID	CU-REF	CU-DESC	QTY	MU-REF	
A	12451115	LUG SGL CU/AL 350 W/BOLTS	6	13157317	
B	12451138	LUG DBL CU/AL 350 W/BOLTS	1	13157317	
C	12080117	WIRE 350 AL 1C INSULATED	45	13157317	
D	12450783	CLAMP 2 BOLT CU/AL 600-4/0	1	13157317	
E	11201003	BRKT RACK 1 POINT 14 IN-SGL	3	13157317	
BUSSWIRE75KVAWYE4/0N	13157318	BUSS WIRE 75 KVA WYE 4/0 N			
ID	CU-REF	CU-DESC	QTY	MU-REF	
A	12451115	LUG SGL CU/AL 350 W/BOLTS	6	13157318	
B	12451138	LUG DBL CU/AL 350 W/BOLTS	1	13157318	
C	12080117	WIRE 350 AL 1C INSULATED	45	13157318	
D	12450783	CLAMP 2 BOLT CU/AL 600-4/0	1	13157318	
E	11201003	BRKT RACK 1 POINT 14 IN-SGL	3	13157318	
BUSSWIRE100KVAWYE1/0N	13157322	BUSS WIRE 100 KVA WYE 1/0 N			
ID	CU-REF	CU-DESC	QTY	MU-REF	
A	12451157	LUG SGL CU 500 W/BOLTS	6	13157322	
B	12451176	LUG DBL CU 500 W/BOLTS	1	13157322	
C	12080240	WIRE 500 CU MCM 1C	45	13157322	
D	12450780	CLAMP 1 BOLT CU/AL # 6-800	1	13157322	
E	11201003	BRKT RACK 1 POINT 14 IN-SGL	3	13157322	
BUSSWIRE100KVAWYE4/0N	13157323	BUSS WIRE 100 KVA WYE 4/0 N			
ID	CU-REF	CU-DESC	QTY	MU-REF	
A	12451157	LUG SGL CU 500 W/BOLTS	6	13157323	
B	12451176	LUG DBL CU 500 W/BOLTS	1	13157323	
C	12080240	WIRE 500 CU MCM 1C	45	13157323	
D	12450783	CLAMP 2 BOLT CU/AL 600-4/0	1	13157323	
E	11201003	BRKT RACK 1 POINT 14 IN-SGL	3	13157323	
BUSSWIRE167KVAWYE120/0N	13157331	BUSS WIRE 167 KVA WYE 120/208 1/0 N			
ID	CU-REF	CU-DESC	QTY	MU-REF	
A	12451157	LUG SGL CU 500 W/BOLTS	6	13157331	
B	12451176	LUG DBL CU 500 W/BOLTS	8	13157331	
C	12451005	LUG 2 HOLE CU 500	6	13157331	
D	12080240	WIRE 500 CU MCM 1C	90	13157331	
E	12450504	CLAMP 2 BOLT CAD 1000	1	13157331	
F	11201003	BRKT RACK 1 POINT 14 IN-SGL	3	13157331	

1315-73	POLE APPRATUS TRANSFORMERS OH BUS WIRE WYE BANKS 167KVA	
Sheet 5 of 5		
		Rev: 08/01/20

MU-ID	MU-REF	MU-DESCRIPTION
--------------	---------------	-----------------------

BUSSWIRE167KVAWYE1204/0N	13157332	BUSS WIRE 167 KVA WYE 120/208 4/0 N
--------------------------	----------	-------------------------------------

ID	CU-REF	CU-DESC	QTY	MU-REF
A	12451157	LUG SGL CU 500 W/BOLTS	6	13157332
B	12451176	LUG DBL CU 500 W/BOLTS	8	13157332
C	12451005	LUG 2 HOLE CU 500	6	13157332
D	12080240	WIRE 500 CU MCM 1C	90	13157332
E	12450504	CLAMP 2 BOLT CAD 1000	1	13157332
F	11201003	BRKT RACK 1 POINT 14 IN-SGL	3	13157332

BUSSWIRE167KVAWYE2771/0N	13157333	BUSS WIRE 167 KVA WYE 277/480 1/0 N
--------------------------	----------	-------------------------------------

ID	CU-REF	CU-DESC	QTY	MU-REF
A	12451176	LUG DBL CU 500 W/BOLTS	7	13157333
B	12451005	LUG 2 HOLE CU 500	2	13157333
C	12080240	WIRE 500 CU MCM 1C	90	13157333
D	12450503	CLAMP 2 BOLT CAD 750	1	13157333
E	11201003	BRKT RACK 1 POINT 14 IN-SGL	3	13157333

BUSSWIRE167KVAWYE2774/0N	13157334	BUSS WIRE 167 KVA WYE 277/480 4/0 N
--------------------------	----------	-------------------------------------

ID	CU-REF	CU-DESC	QTY	MU-REF
A	12451176	LUG DBL CU 500 W/BOLTS	7	13157334
B	12451005	LUG 2 HOLE CU 500	2	13157334
C	12080240	WIRE 500 CU MCM 1C	90	13157334
D	12450504	CLAMP 2 BOLT CAD 1000	1	13157334
E	11201003	BRKT RACK 1 POINT 14 IN-SGL	3	13157334

1315-74 TRANSFORMER CONNECTIONS

