

	<b>POLE APPARATUS CUTOUT, ARRESTOR</b>	<b>1368</b>
		Sheet 1 of 1
Rev: 08/01/21		

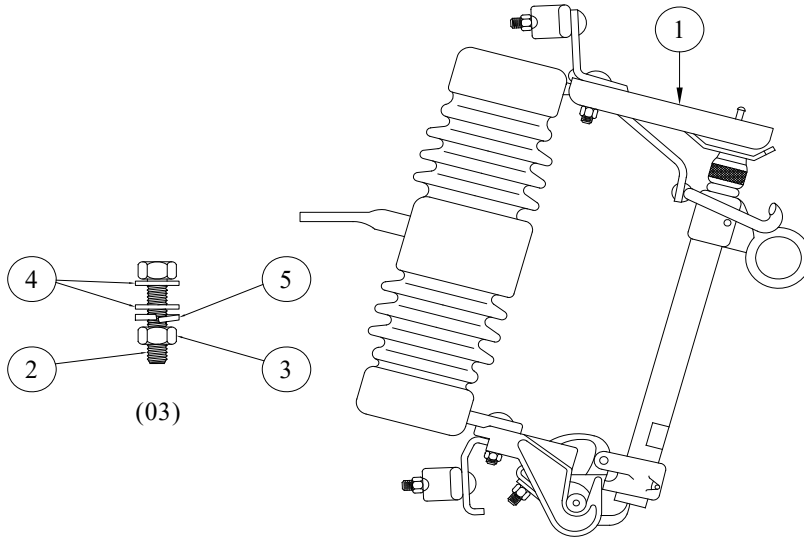
# 1368

## CUTOUT, ARRESTER

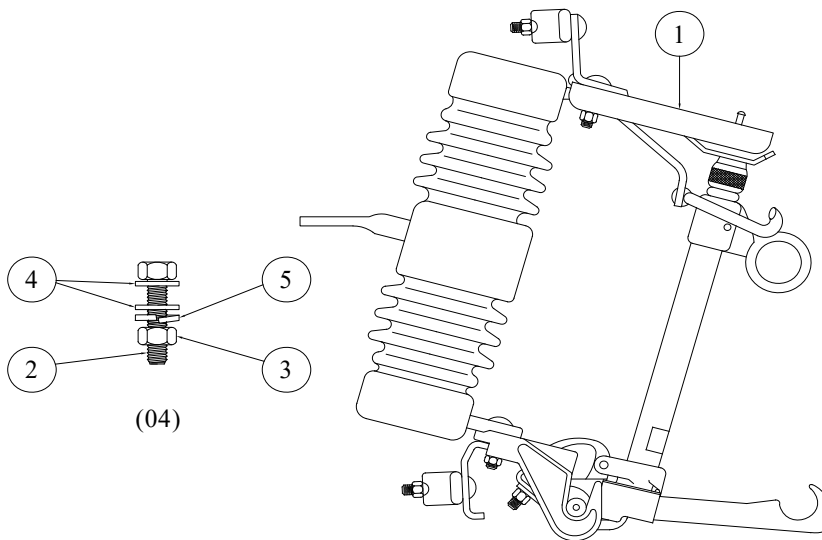
### CONTAINS

- 1368-01 CUTOUTS**
- 1368-02 FUSES**
- 1368-03 ARRESTERS**
- 1368-04 STIRRUPS**
- 1368-05 JUMPER ASSEMBLIES**
- 1368-06 BRACKET L FOR CUTOUTS/ARRESTERS**
- 1368-07 CUTOUT/ARRESTER BRACKET FOR 1PH, 2PH**
- 1368-08 CUTOUT/ARRESTER BRACKET FOR 3PH**
- 1368-09 CUTOUT/ARRESTER ASSEMBLIES 1PH**
- 1368-11 CUTOUT/ARRESTER ASSEMBLIES 3PH**
- 1368-12 CUTOUT ASSEMBLIES FOR WOOD ARMS**
- 1368-13 TRIPSAVER II CUTOUT**

POLE APPARATUS  
CUTOUT/ARRESTOR AND ASSEMBLIES  
CUTOUTS




- 1368-01-01
- 1368-01-03
- 1368-01-10
- 1368-01-15



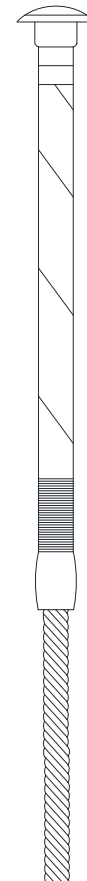
- 1368-01-02
- 1368-01-04
- 1368-01-13



1368-02	POLE APPARATUS	
Sheet 1 of 4	CUTOUT/ARRESTOR AND ASSEMBLIES	
	FUSES	Rev: 08/01/21

1368-02-10	(1/3 A TYPE X)	
1368-02-13	(2 A TYPE X)	1368-02-30 5A TYPE 200 (N)
1368-02-15	(5.5 A TYPE X)	1368-02-32 10A TYPE 200 (N)
1368-02-16	(10 A TYPE X)	1368-02-33 15A TYPE 200 (N)
1368-02-17	(15 A TYPE X)	1368-02-34 20A TYPE 200 (N)
		1368-02-36 30A TYPE 200 (N)
		1368-02-37 40A TYPE 200 (N)
1368-02-50	(BD 300 A SOLID BLADE)	1368-02-38 50A TYPE 200 (N)
		1368-02-39 65A TYPE 200 (N)
		1368-02-40 80A TYPE 200 (N)
1368-02-71	(25 A TYPE KS)	1368-02-41 100A TYPE 200 (N)
1368-02-72	(40 A TYPE KS)	1368-02-42 125A TYPE 200 (N)
1368-02-73	(50 A TYPE KS)	1368-02-43 150A TYPE 200 (N)
1368-02-83	(65 A TYPE KS)	1368-02-44 200A TYPE 200 (N)
1368-02-86	(80 A TYPE KS)	
1368-02-84	(100 A TYPE KS)	
1368-02-85	(125 A TYPE KS)	

**See Distribution Protection GWP for latest Fusing Policy, Tables, and Guidelines.**











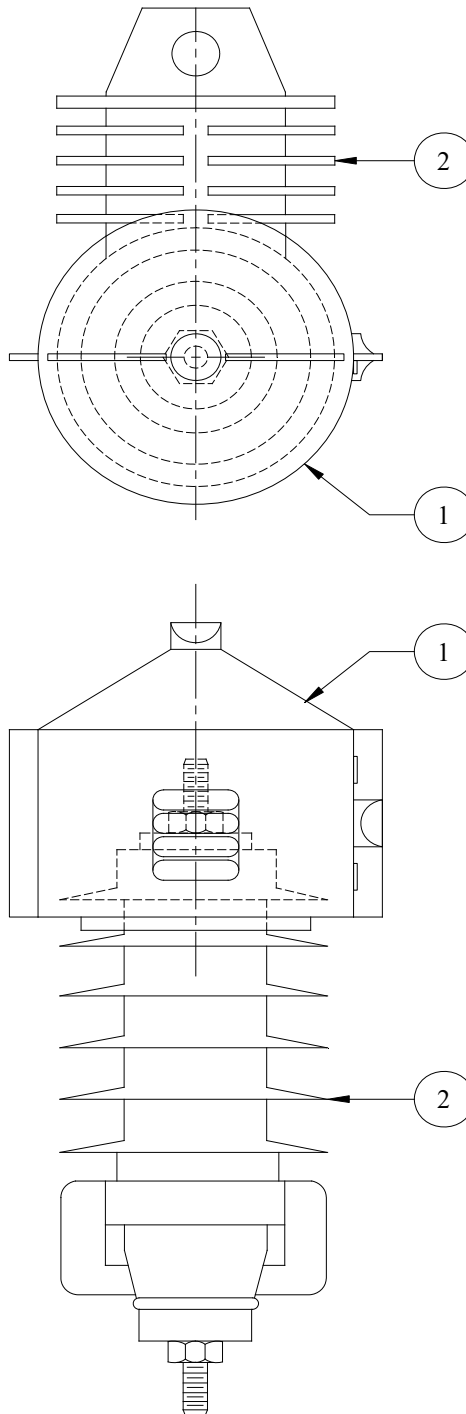
POLE APPARATUS  
CUTOUT/ARRESTOR AND ASSEMBLIES

1368-03

Sheet 1 of 2

Rev: 08/01/21

ARRESTERS

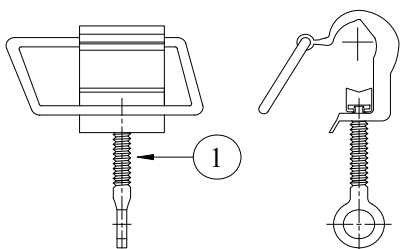
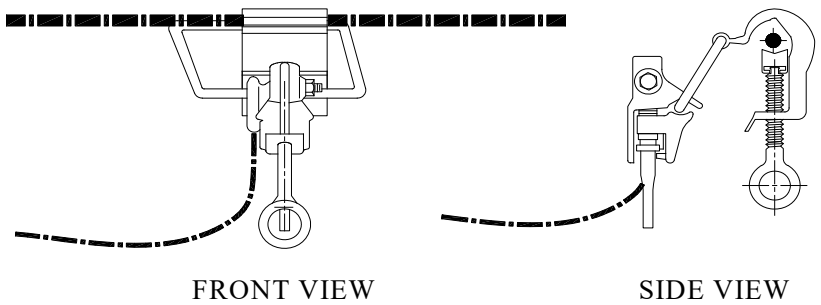
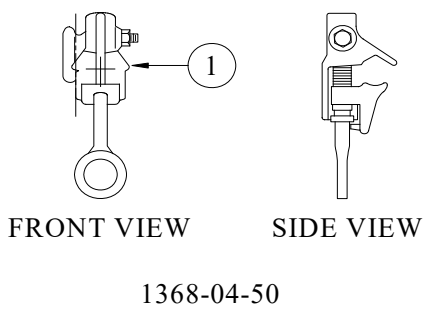
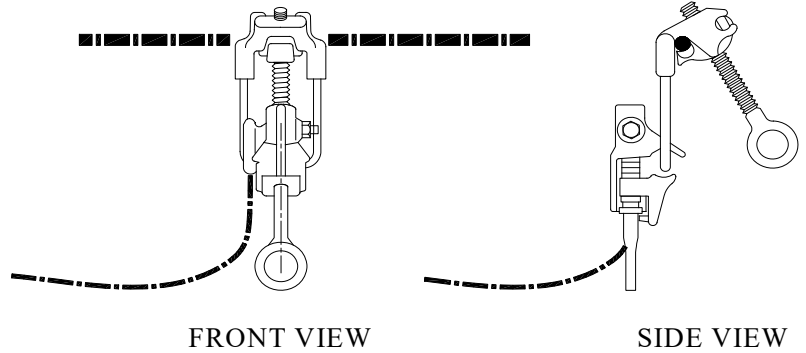
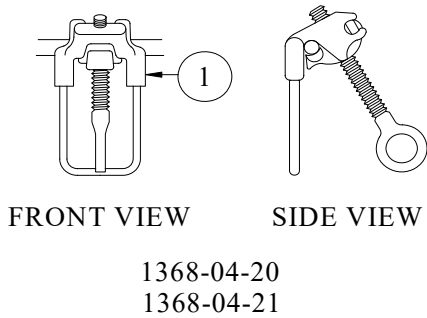


1368-03-01

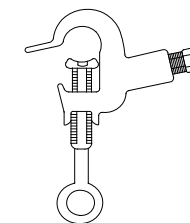
FOR TRANSFORMERS, LINE, AND CAPACITORS







1368-04-22  
1368-04-23  
1368-04-24



1368-04-60





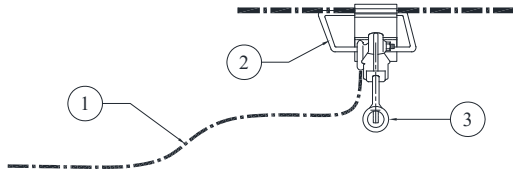
POLE APPARATUS  
CUTOUT/ARRESTOR AND ASSEMBLIES

1368-05

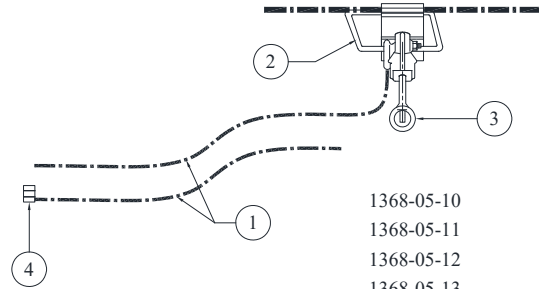
Sheet 1 of 6

Rev: 08/01/21

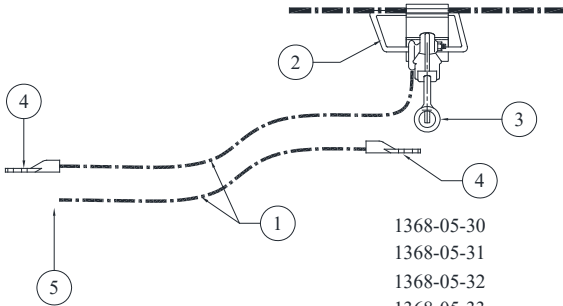
JUMPER ASSEMBLIES



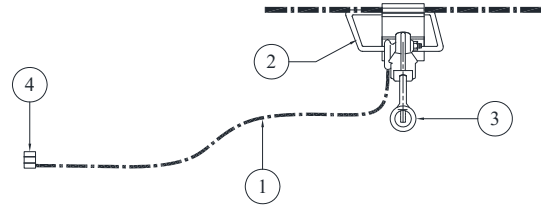
- |            |            |
|------------|------------|
| 1368-05-01 | 1368-05-20 |
| 1368-05-02 | 1368-05-21 |
| 1368-05-03 | 1368-05-22 |
| 1368-05-04 | 1368-05-23 |
| 1368-05-05 | 1368-05-24 |



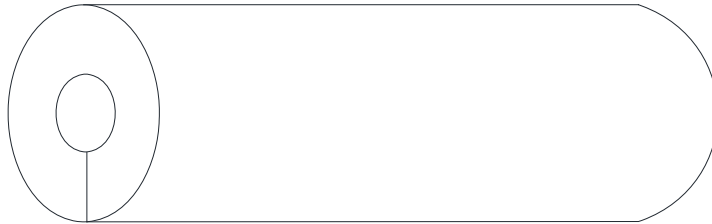
- 1368-05-10
- 1368-05-11
- 1368-05-12
- 1368-05-13
- 1368-05-14



- 1368-05-30
- 1368-05-31
- 1368-05-32
- 1368-05-33
- 1368-05-34



1368-05-40



1368-05-50  
INSULATING TUBING FOR JUMPERS  
CUT TO LENGTH













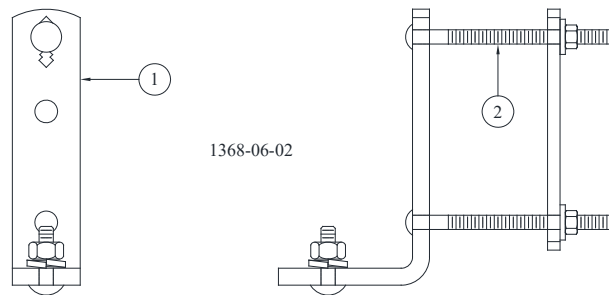
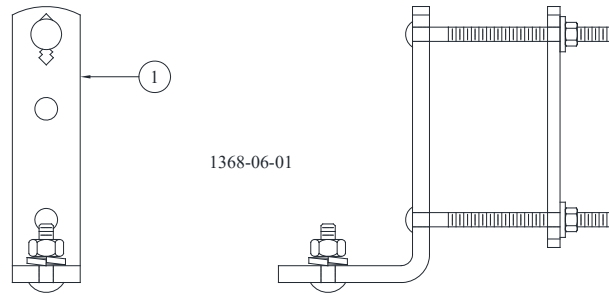


Rev: 08/01/21

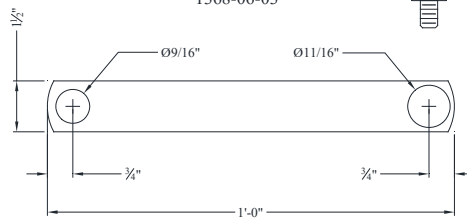
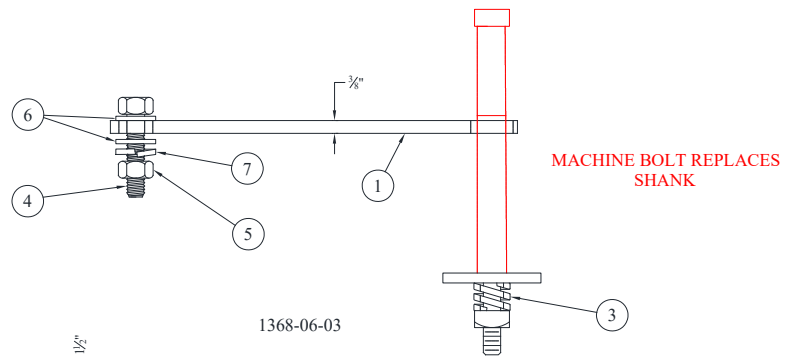
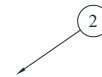
# POLE APPARATUS CUTOUT/ARRESTOR AND ASSEMBLIES BRACKET L FOR CUTOUTS/ARRESTORS

1368-06

Sheet 1 of 2



(FOR ATTACHMENT OF CUTOUTS  
& ARRESTERS TO BRACKET  
MOUNT)





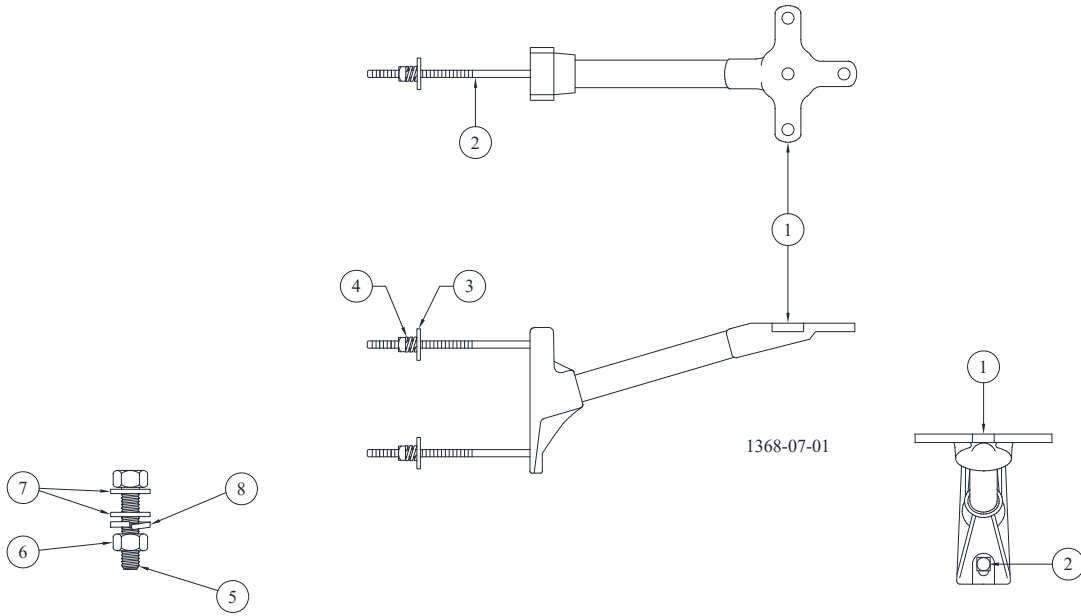


Rev: 08/01/21

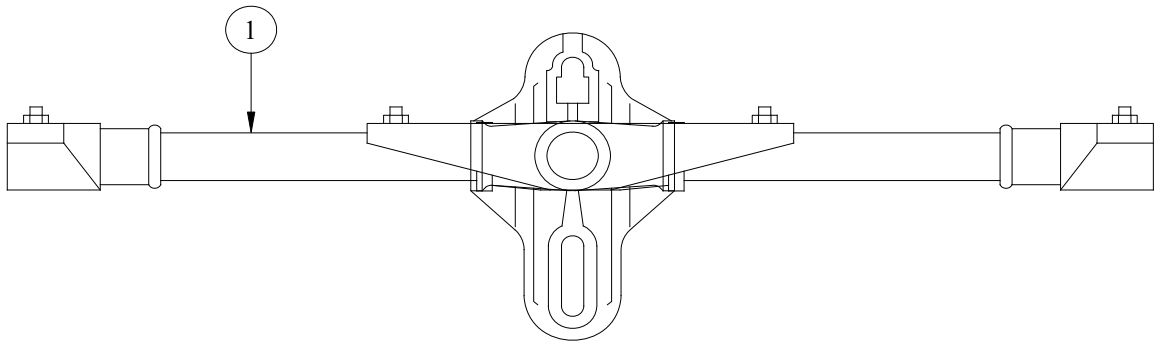
POLE APPARATUS  
CUTOUT/ARRESTOR AND ASSEMBLIES  
CUTOUT/ARRESTOR BRACKET FOR 1PH

1368-07

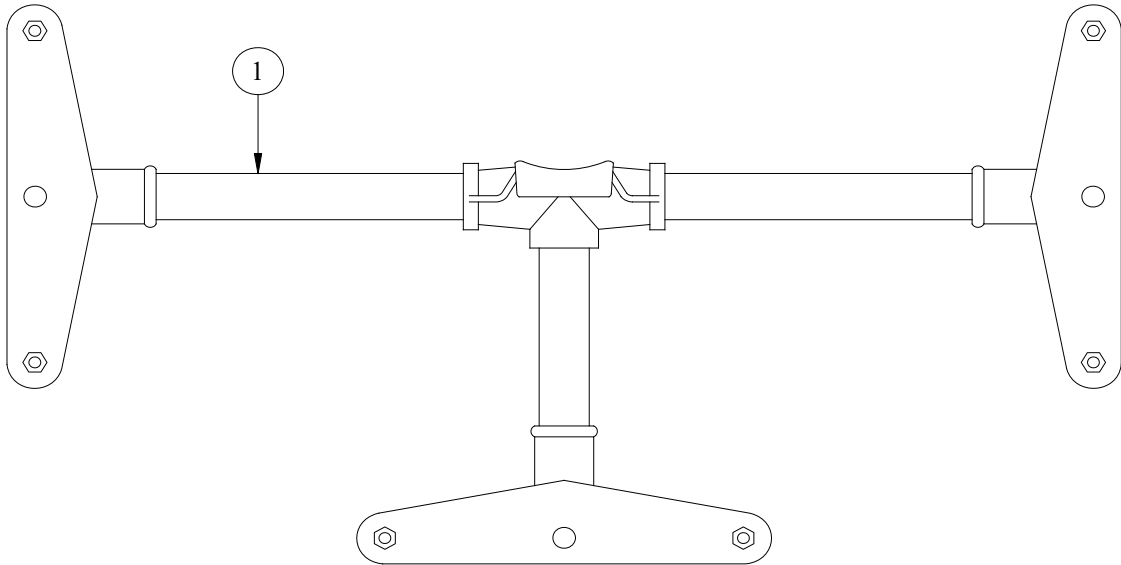
Sheet 1 of 2







1368-08-01





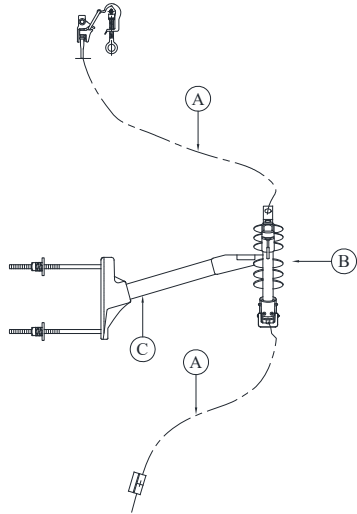


Rev: 08/01/21

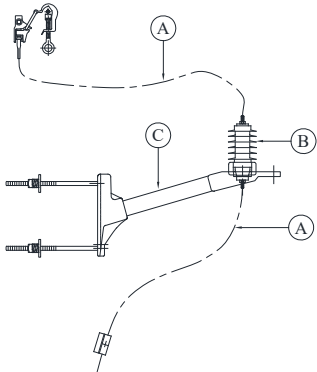
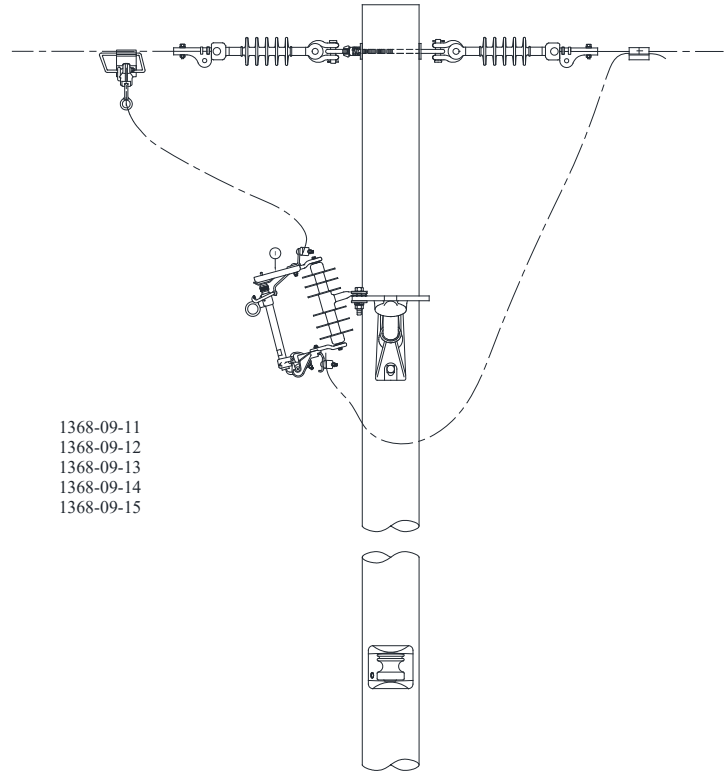
POLE APPARATUS  
CUTOUT/ARRESTOR AND ASSEMBLIES  
CUTOUT/ARRESTOR ASSEMBLES 1PH

1368-09

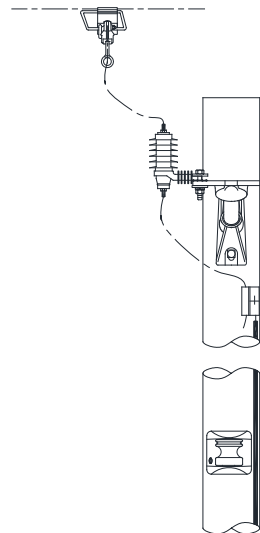
Sheet 1 of 3



1368-09-11  
1368-09-12  
1368-09-13  
1368-09-14  
1368-09-15



1368-09-20  
1368-09-21  
1368-09-22  
1368-09-23  
1368-09-24

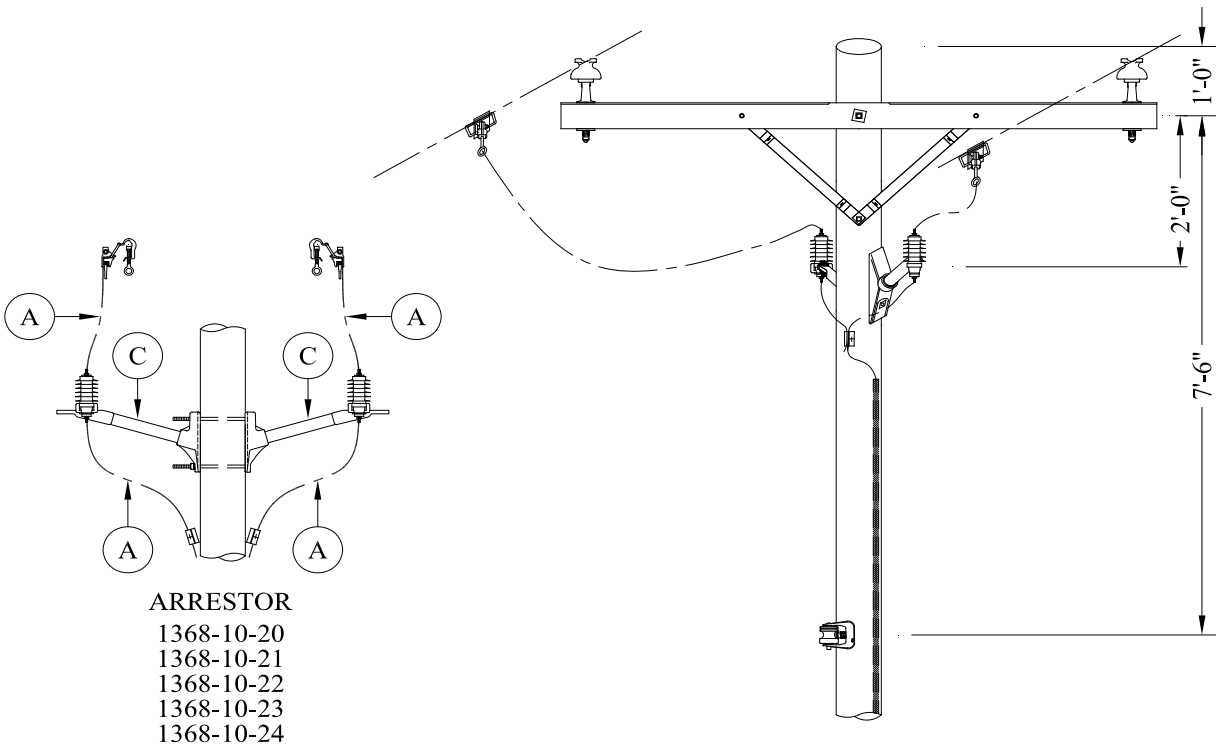
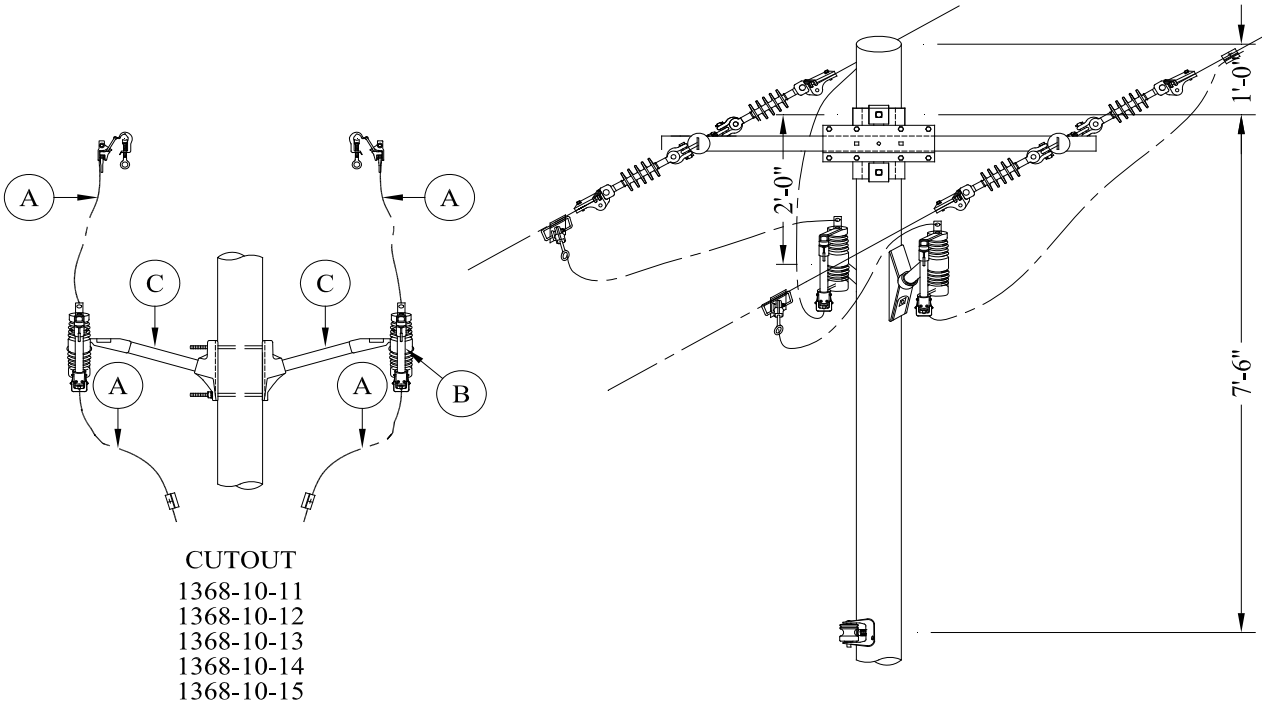








POLE APPARATUS  
CUTOUT/ARRESTOR AND ASSEMBLIES  
CUTOUT/ARRESTOR ASSEMBLIES 2PH







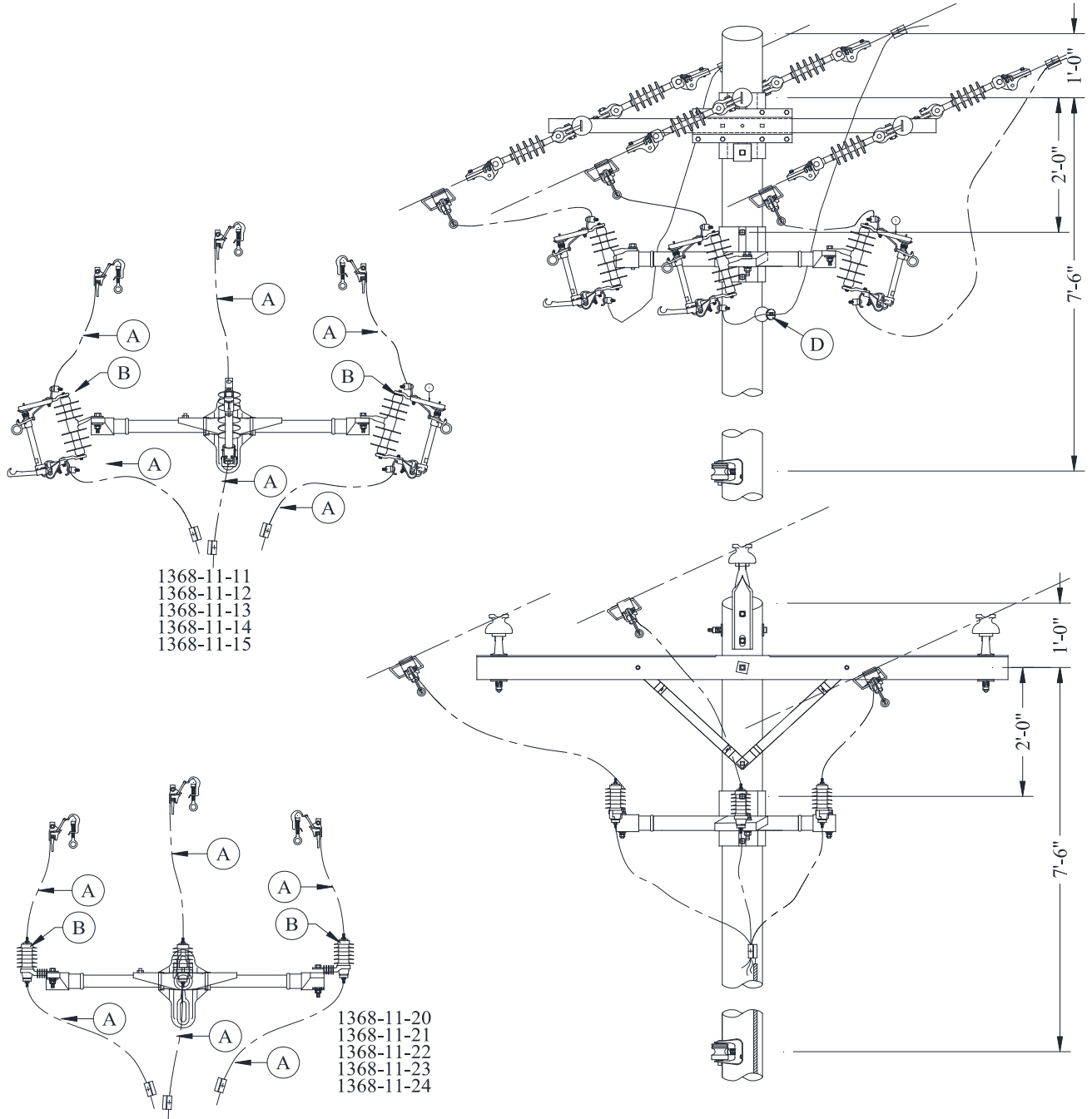


Rev: 08/01/21

POLE APPARATUS  
CUTOUT/ARRESTOR AND ASSEMBLIES  
CUTOUT/ARRESTOR BRACKET FOR 3PH

1368-11

Sheet 1 of 3

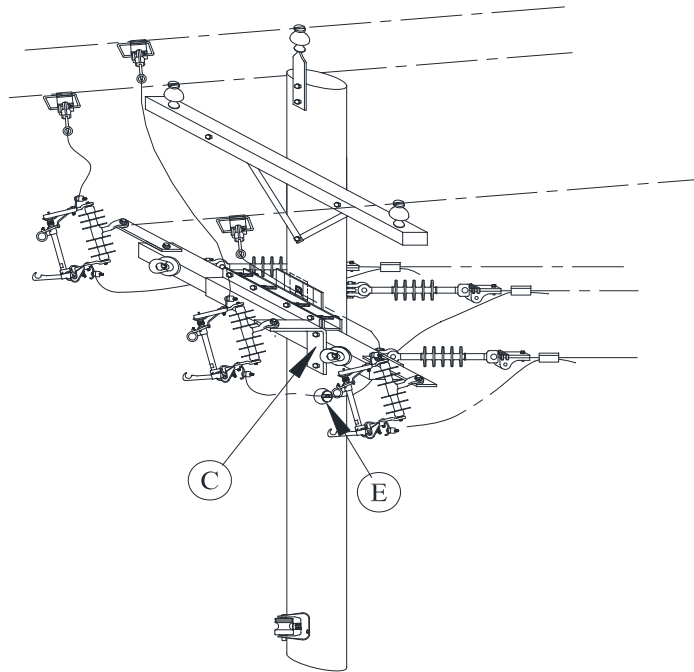
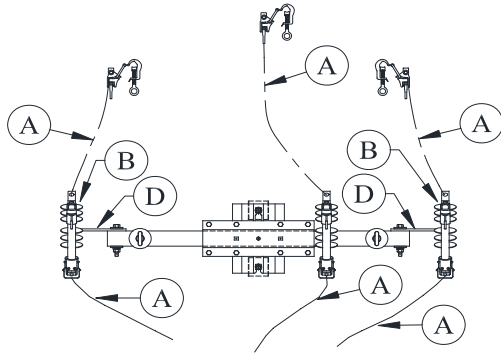






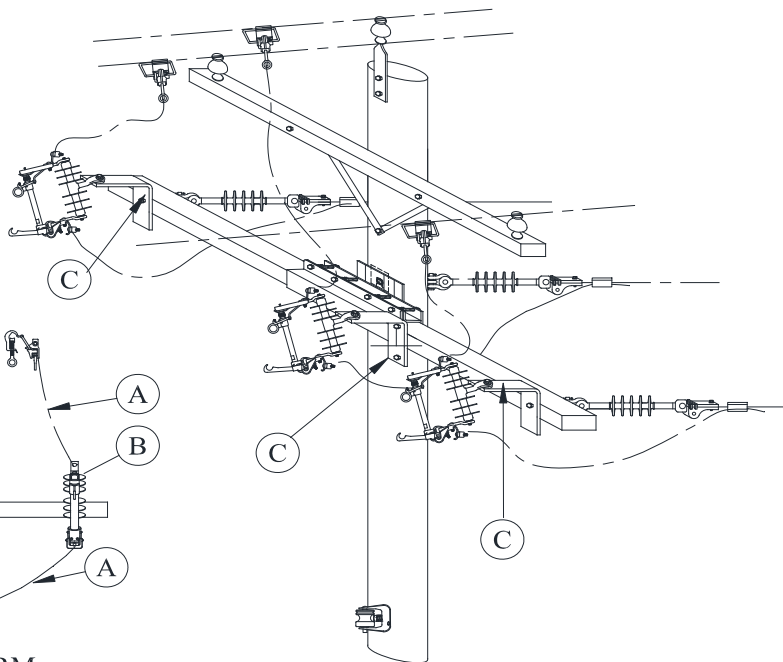
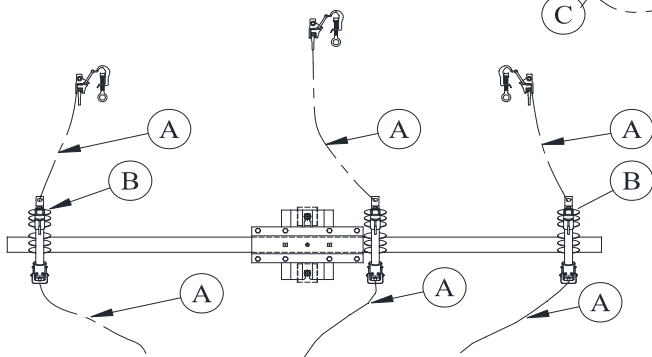


CUTOUT/ARRESTOR AND ASSEMBLIES  
CUTOUT ASSEMBLIES FOR WOOD ARMS DE



5-FOOT DEAD-END ARM

- 1368-12-10
- 1368-12-11
- 1368-12-12
- 1368-12-14
- 1368-12-15



8-FOOT/10-FOOT DEAD-END ARM

- 1368-12-20
- 1368-12-21
- 1368-12-22
- 1368-12-24
- 1368-12-25







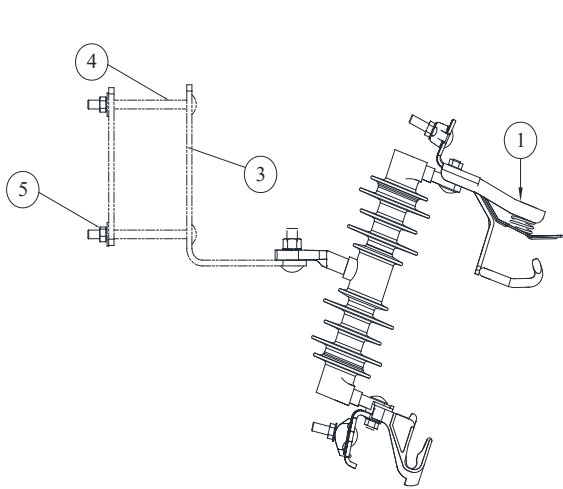
POLE APPARATUS  
CUTOUT/ARRESTOR AND ASSEMBLIES

1368-13

Sheet 1 of 2

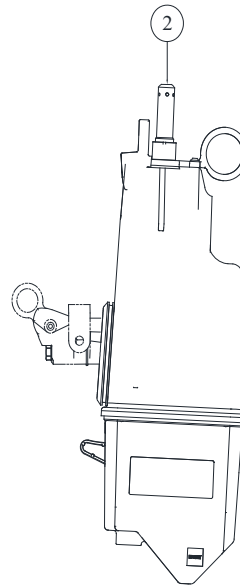
Rev: 08/01/21

TRIPSAVER II CUTOUT

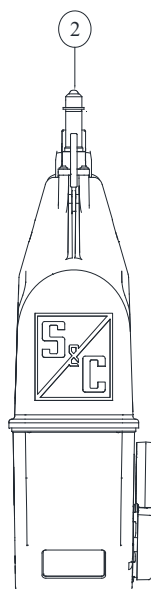


SIDE VIEW

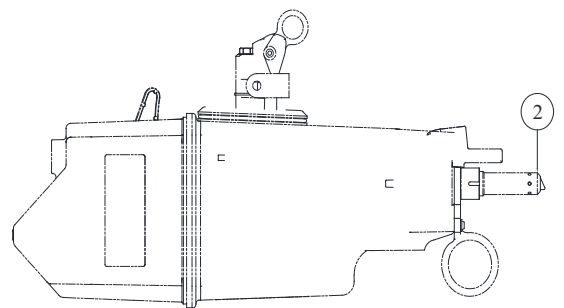
1368-13-01



SIDE VIEW



FRONT VIEW



INVERTED SIDE VIEW

