

1370	POLE APPARATUS 900 AMP SWITCHES AND ASSEMBLIES	
Sheet 1 of 1		
Rev: 08/01/20		

1370

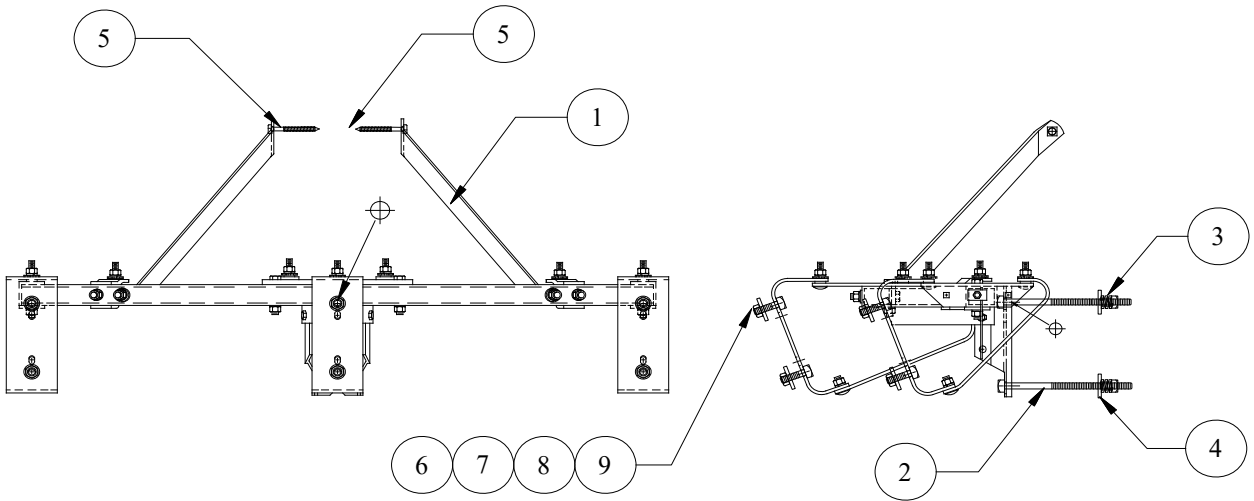
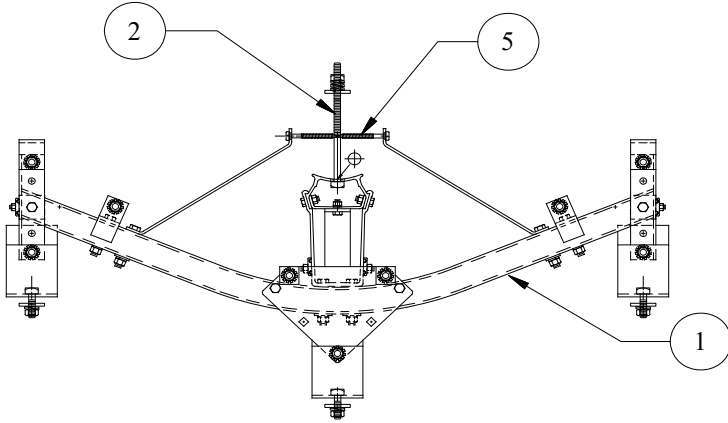
900 AMP SWITCHES AND ASSEMBLIES

CONTAINS

- 1370-01 BRACKET MOUNT 900A SWITCH RISER**
- 1370-05 SWITCH DISCONNECT 900 AMP**
- 1370-06 SWITCH DISCONNECT LINE TAP 900A**
- 1370-40 AIR-SWITCH TOP MOUNT ASSEMBLY**
- 1370-45 AIR-SWITCH FACE MOUNT ASSEMBLY**
- 1370-50 AIR-SWITCH FACE MOUNT ASSEMBLY,
POWER CABLE RISER**

1370-01
Sheet 1 of 2
Rev: 08/01/20

**POLE APPARATUS
900 AMP SWITCHES AND ASSEMBLIES
BRACKET MOUNT 900A SWITCH RISER**



1370-01-01

1370-01	POLE APPARATUS 900 AMP SWITCHES AND ASSEMBLIES BRACKET MOUNT 900A SWITCH RISER	
Sheet 2 of 2		
Rev: 08/01/20		

CU

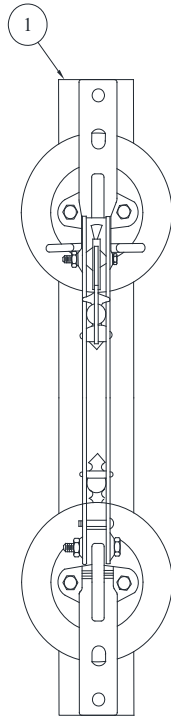
CU-ID	CU-REF	CU-DESCRIPTION
--------------	---------------	-----------------------

BRKTMT900ASW	13700101	BRACKET MOUNT 900A SWITCH
--------------	----------	---------------------------

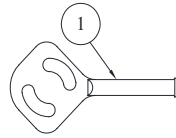
ID	PART NUM	PART DESC	QTY	EA	CU-REF
1	0000006567	BRACKET MOUNT/DISCON 3-PHASE RISER POLE	1	EA	13700101
2	0000008420	BOLT MACH SQ HEAD HOT DIP GALV G5 5/8 X 14	2	EA	13700101
3	0000008456	NUT HEX ZINC CT 3/8	6	EA	13700101
4	0000008475	WASHER FLAT USS ZINC 3/8	12	EA	13700101
5	0000008492	WASHER SPLIT LOCK ZINC 3/8	6	EA	13700101
6	0000008499	WASHER SQ HOT DIP GALV 2-1/4 IN X 2-1/4 IN X 3/16 IN	2	EA	13700101
7	0000001236	WASHER COIL SPRING ZINC FOR 5/8 IN BOLT	2	EA	13700101
8	0000008337	BOLT CARRIAGE ZINC G2CT 3/8 X 3	6	EA	13700101
9	0000008443	BOLT LAG HOT DIP GALV FETTER DRIVE G5CT 1/2 X 4	2	EA	13700101

1370-05
Sheet 1 of 2
Rev: 08/01/20

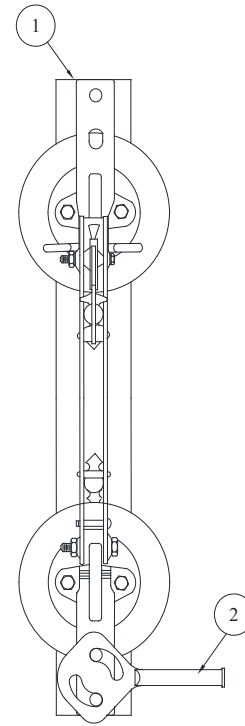
**POLE APPARATUS
900 AMP SWITCHES AND ASSEMBLIES
SWITCH DISCONNECT 900 AMP**



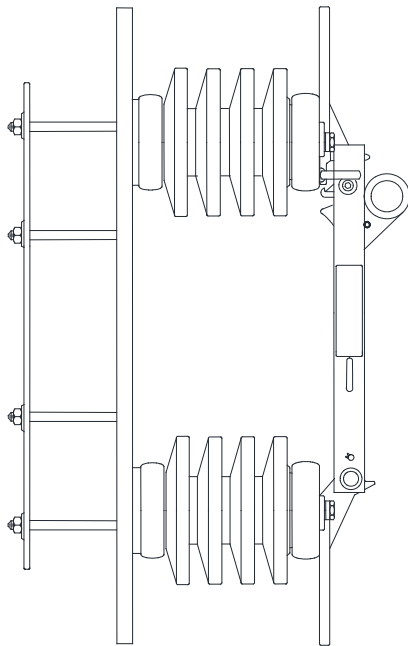
1370-05-01
FRONT VIEW



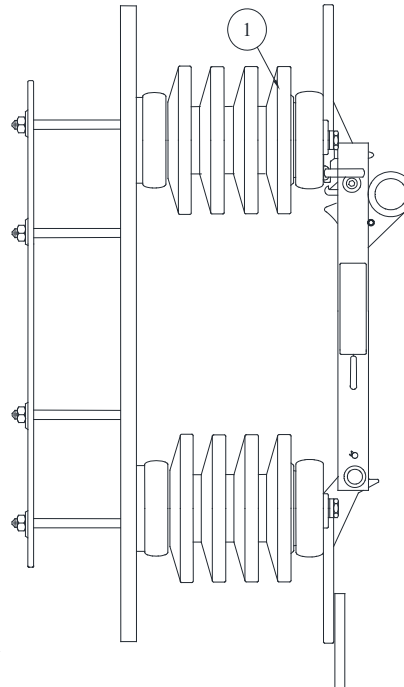
1370-05-10



FRONT VIEW



SIDE VIEW



1370-05
Sheet 2 of 2
Rev: 08/01/20

POLE APPARATUS
900 AMP SWITCHES AND ASSEMBLIES
SWITCH DISCONNECT 900 AMP



CU

CU-ID

CU-REF

CU-DESCRIPTION

SWDSCT900A15KV 13700501 SWITCH DISCONNECT 900A 15KV

ID	PART NUM	PART DESC	QTY		CU-REF
1	0000015993	SWITCH DISCONNECT SINGLE POLE 15 KV 900 AMP POLY INSUL	1	EA	13700501

CNSTUDGRD 13700510 CONNECTOR STUD GROUND

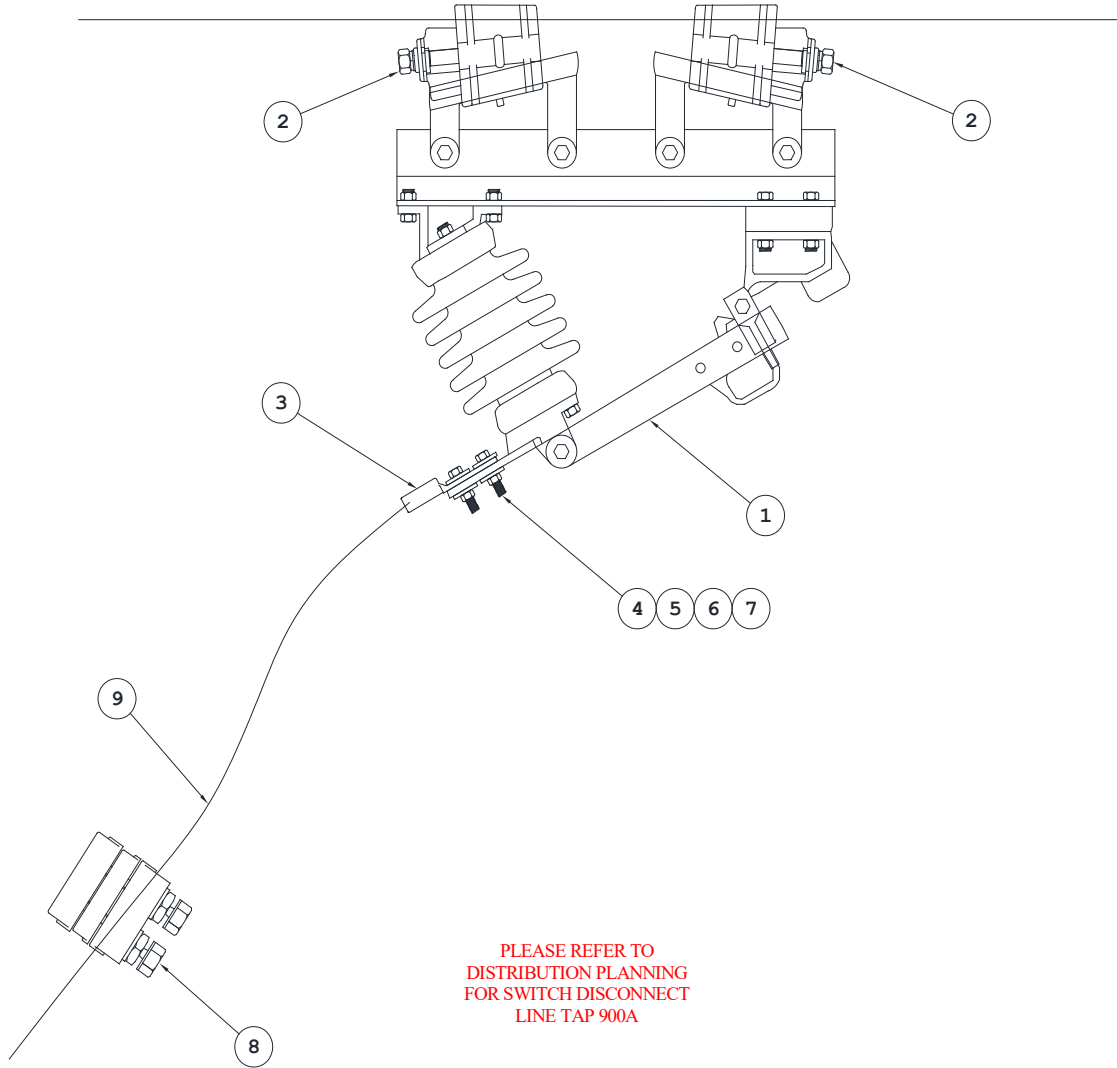
ID	PART NUM	PART DESC	QTY		CU-REF
2	0000005575	STUD GROUND BRONZE 900 AMP FOR AIR SWITCHES	1	EA	13700510

SWDSCTWGRDSTUD900A15KV 13700520 SWITCH DISCONNECT W/GRD STUD 900A 15KV

ID	PART NUM	PART DESC	QTY		CU-REF
1	0000015993	SWITCH DISCONNECT SINGLE POLE 15 KV 900 AMP POLY INSUL	1	EA	13700520
2	0000005575	STUD GROUND BRONZE 900 AMP FOR AIR SWITCHES	1	EA	13700520

1370-06
Sheet 1 of 2
Rev: 08/01/20

**POLE APPARATUS
900 AMP SWITCHES AND ASSEMBLIES
SWITCH DISCONNECT LINE TAP 900A 15KV**



1370-06-01

1370-06	POLE APPARATUS 900 AMP SWITCHES AND ASSEMBLIES SWITCH DISCONNECT LINE TAP 900A 15KV	
Sheet 2 of 2		
Rev: 08/01/20		

CU

CU-ID CU-REF CU-DESCRIPTION

SWDSCTLNTP900A15KV 13700601 SWITCH DISCONNECT LINE TAP 900A 15KV

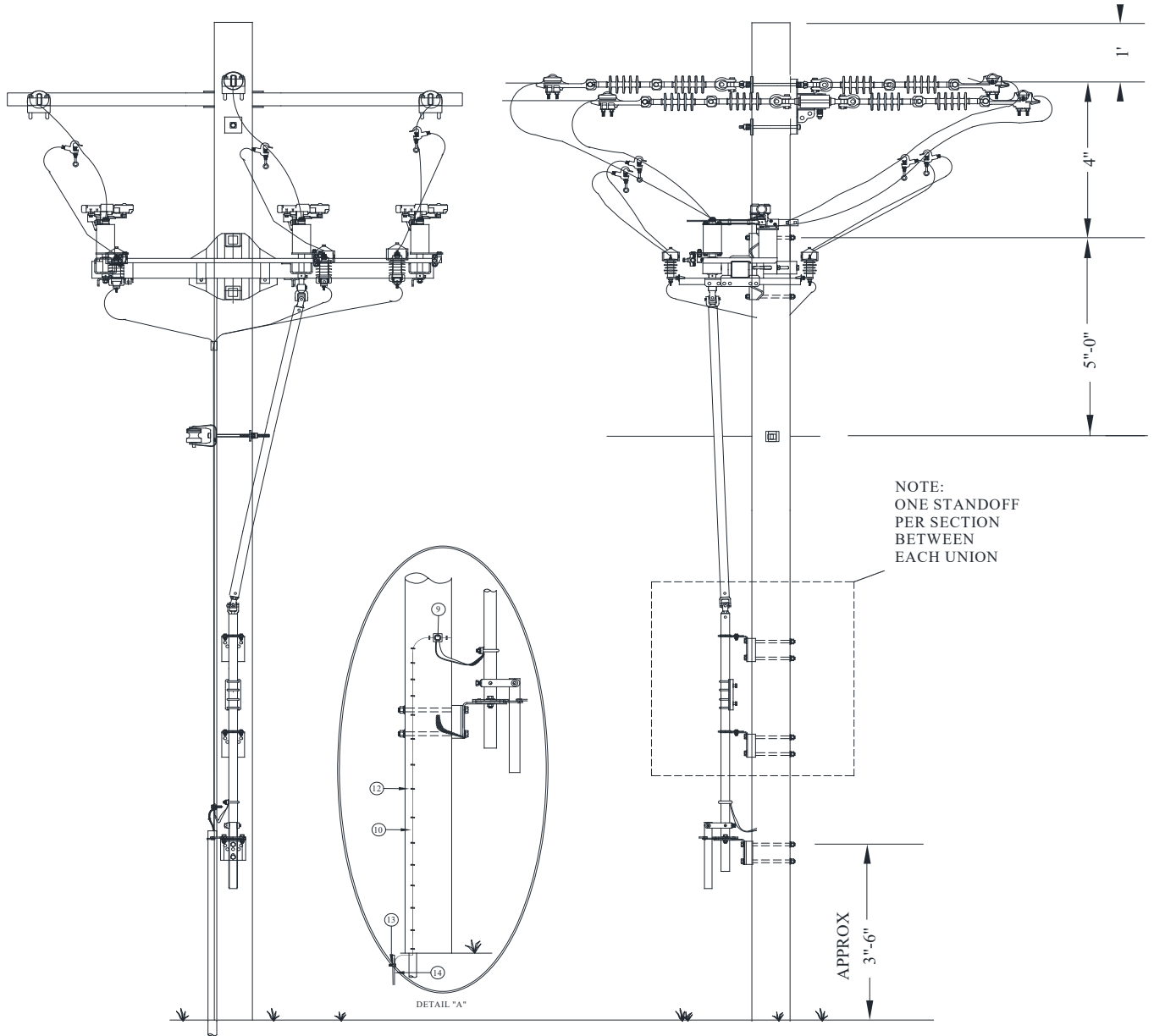
ID	PART NUM	PART DESC	QTY		CU-REF
7	0000000518	WASHER BELLVILLE SPRG 6000 LBS LOAD S STL 1/2 IN	2	EA	13700601
6	0000000519	WASHER FLAT 1/2IN S STL 1.14 OD X .515 ID X .125 THICK	4	EA	13700601
4	0000000601	BOLT HEX HEAD 18-8 S STL 1/2 IN X 2-1/2 IN	2	EA	13700601
1	0000001298	SWITCH DISCONNECT 15KV 900 AMP WITH 2 WEDGE TYPE HANGER	1	EA	13700601
2	0000001732	CLAMP WEDGE BOLT TYPE 795 TO 336 FOR LINE TAP SWITCH	2	EA	13700601
9	0000004530	WIRE ALUM 37 STRD ARBUTUS #795MCM LG REEL 10400/FT	6	EA	13700601
3	0000005663	LUG COMP # 795 MCM 2 HOLE NEMA PAD	1	EA	13700601
8	0000005670	CONNECTOR ALUMN VISE TYPE 2-BOLT 795 AA TO 795 AA	1	EA	13700601
5	0000008457	NUT HEX ZINC CT 1/2	2	EA	13700601

1370-40
Sheet 1 of 3
Rev: 08/01/20

**POLE APPARATUS
900 AMP SWITCHES AND ASSEMBLIES
AIR-SWITCH TOP-MOUNT ASSEMBLY**



1370-40 AIR-SWITCH TOP-MOUNT ASSEMBLY



1370-40-01

NOTE: REPLACE EXISTING POLE GROUNDS W. #2 TINNED CU

1370-40
Sheet 2 of 3
Rev: 08/01/20

**POLE APPARATUS
900 AMP SWITCHES AND ASSEMBLIES
AIR-SWITCH TOP-MOUNT ASSEMBLY**



MU

MU-ID	MU-REF	MU-DESCRIPTION
--------------	---------------	-----------------------

SWAIRHORTMASSY900A	13704001	SWITCH AIR HORIZ TOP MOUNT ASSY 900A
--------------------	----------	--------------------------------------

ID	CU-REF	CU-DESC	QTY	MU-REF
A	13703001	SWITCH AIR HORIZ TOP MOUNT 900 AMP	1	13704001
B	13680301	ARRESTOR FOR OH LINE/XFMR/CAP BANK	6	13704001
C	12450801	LUG 1-HOLE CU #2-3/8 IN HOLE	12	13704001
D	13680460	CLAMP HOT TAP 795 TO 4/0-#6 CU/AL	6	13704001
E	12080303	WIRE # 2 CU BARE TINNED	40	13704001
F	12450413	CONN SPLIT BOLT 2 STRD CU	6	13704001
G	12450205	H-TAP CU/AL 4/0-#6	1	13704001
H	12451120	LUG SGL AL 795 W/BOLTS	6	13704001
I	12450777	CLAMP 2 BOLT 795 - 795	6	13704001
J	12080125	WIRE 795 MCM	40	13704001

SWAIRHORTMASSOMOD5FTFGARM 13704011	13704011	SWITCH AIR HORIZ TM ASSO MOD 5FT FG ARM
------------------------------------	----------	---

ID	CU-REF	CU-DESC	QTY	MU-REF
A	11201610	ARM FIBERGLASS DE HD 5 FT	1	13704011
B	11201802	INSULATOR DE DBL W/5/8" EYEBOLT	1	13704011
C	11201803	INSULATOR DE DBL W/5/8" EYENUT	1	13704011
D	11201801	INSULATOR DE DBL	4	13704011
E	12400107	DEAD END CLAMP 795	6	13704011

SWAIRHORTMASSOMOD8FTFGARM 13704013	13704013	SWITCH AIR HOR TM ASSO MOD 8FT FG ARM
------------------------------------	----------	---------------------------------------

ID	CU-REF	CU-DESC	QTY	MU-REF
A	11201611	ARM FIBERGLASS DE HD 8 FT	1	13704013
B	11201802	INSULATOR DE DBL W/5/8" EYEBOLT	1	13704013
C	11201803	INSULATOR DE DBL W/5/8" EYENUT	1	13704013
D	11201801	INSULATOR DE DBL	4	13704013
E	12400107	DEAD END CLAMP 795	6	13704013

SWAIRHORTMASSOMO10FTFGARM 13704015	13704015	SWITCH AIR HORIZ TM ASSO MOD 10FT FG ARM
------------------------------------	----------	--

ID	CU-REF	CU-DESC	QTY	MU-REF
A	11201612	ARM FIBERGLASS DE HD 10 FT	1	13704015
B	11201802	INSULATOR DE DBL W/5/8" EYEBOLT	1	13704015
C	11201803	INSULATOR DE DBL W/5/8" EYENUT	1	13704015
D	11201801	INSULATOR DE DBL	4	13704015
E	12400107	DEAD END CLAMP 795	6	13704015

SWAIRHORTMASSOMO12FTFGARM 13704017	13704017	SWITCH AIR HORIZ TM ASSO MOD 12FT FG ARM
------------------------------------	----------	--

ID	CU-REF	CU-DESC	QTY	MU-REF
A	11201615	ARM FIBERGLASS DE HD 12 FT	1	13704017
B	11201802	INSULATOR DE DBL W/5/8" EYEBOLT	1	13704017

1370-40	POLE APPARATUS 900 AMP SWITCHES AND ASSEMBLIES AIR-SWITCH TOP-MOUNT ASSEMBLY	
Sheet 3 of 3		
Rev: 08/01/20		

ID	CU-REF	CU-DESC	QTY	MU-REF
C	11201803	INSULATOR DE DBL W/5/8" EYENUT	1	13704017
D	11201801	INSULATOR DE DBL	4	13704017
E	12400107	DEAD END CLAMP 795	6	13704017

SWAIRHORTMASSOMODSELSUP 13704019 SWITCH AIR HOR TM ASSO MOD SELF SUPPORT

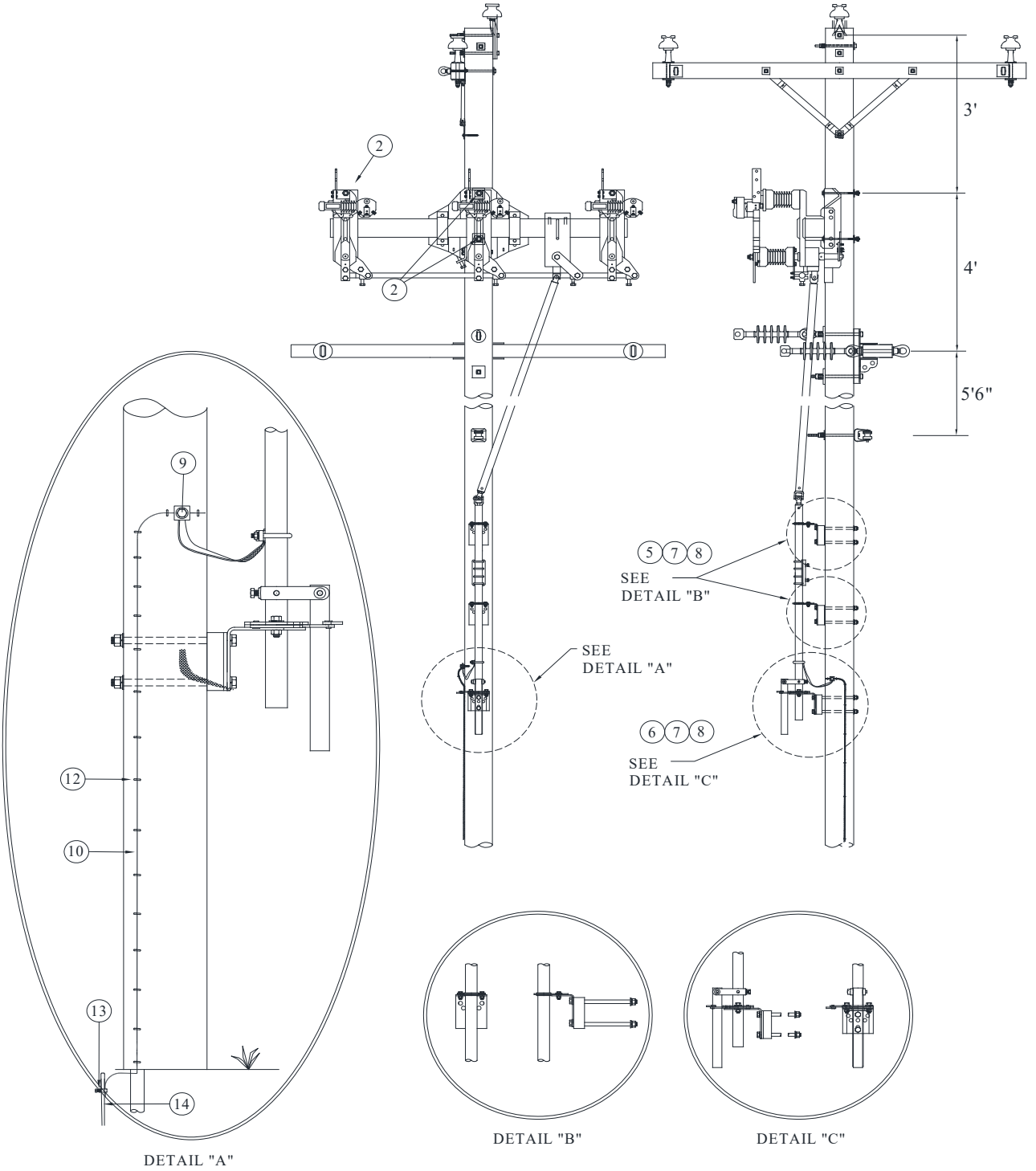
ID	CU-REF	CU-DESC	QTY	MU-REF
A	11201611	ARM FIBERGLASS DE HD 8 FT	1	13704019
B	11201802	INSULATOR DE DBL W/5/8" EYEBOLT	1	13704019
C	11201803	INSULATOR DE DBL W/5/8" EYENUT	1	13704019
D	11201801	INSULATOR DE DBL	4	13704019
E	12400107	DEAD END CLAMP 795	6	13704019

1370-45
Sheet 1 of 2
Rev: 08/01/20

**POLE APPARATUS
900 AMP SWITCHES AND ASSEMBLIES
AIR-SWITCH FACE-MOUNT**



1370-45 AIR-SWITCH FACE-MOUNT ASSEMBLY



1370-45	POLE APPARATUS 900 AMP SWITCHES AND ASSEMBLIES AIR-SWITCH FACE-MOUNT	
Sheet 2 of 2		
Rev: 08/01/20		

CU

CU-ID	CU-REF	CU-DESCRIPTION
--------------	---------------	-----------------------

SWAIRFM900A	13704501	SWITCH AIR FACE MOUNT 900 AMP
-------------	----------	-------------------------------

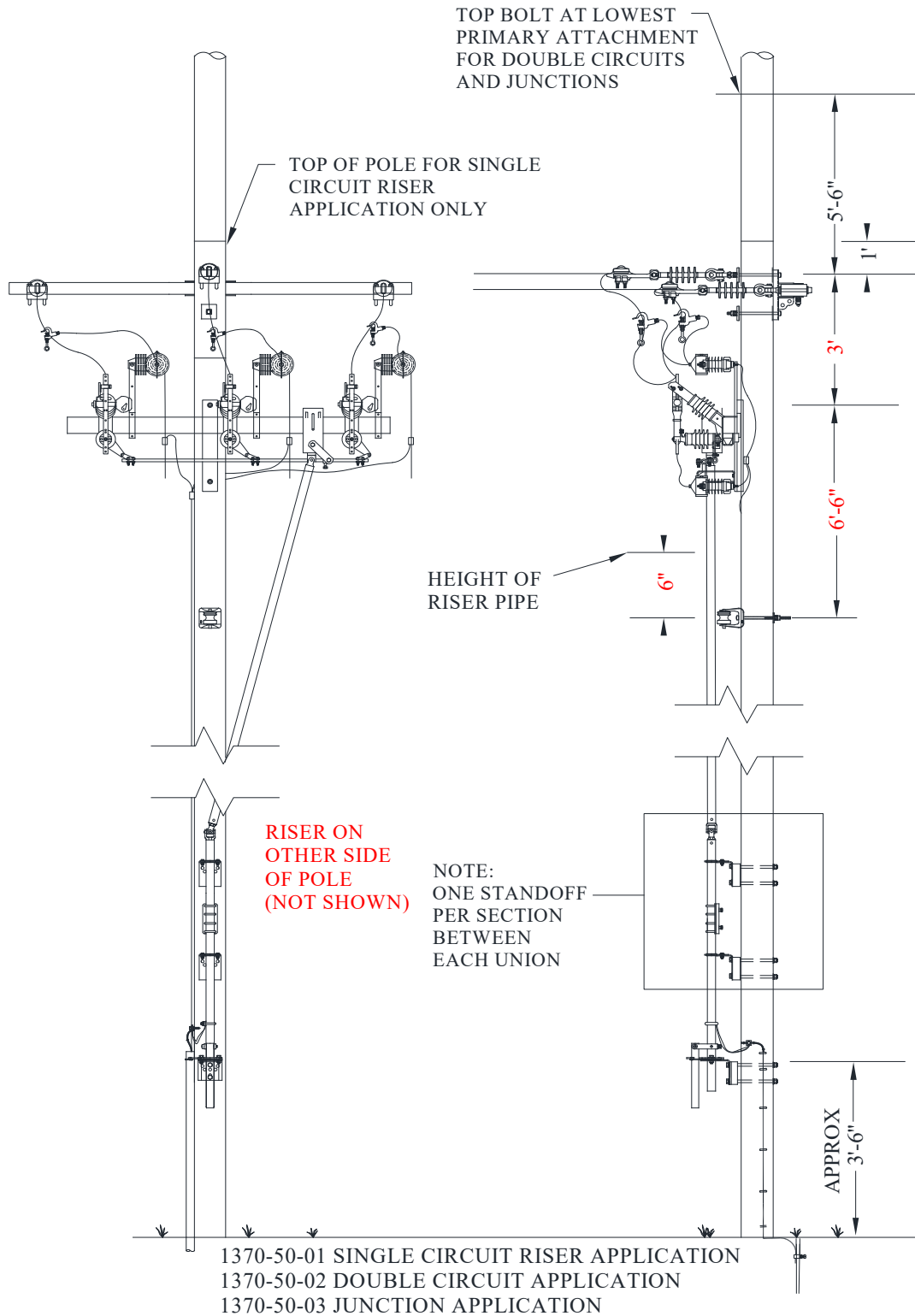
ID	PART NUM	PART DESC	QTY	EA	CU-REF
1	0000022019	SWITCH AIR FACE MOUNT 15KV 900AMP	1	EA	13704501
10	0000004533	CABLE BARE STRD COP TINNED SOFT # 2 2400/FT	20	EA	13704501
11	0000007120	MOULDING 1/2 IN FOR GRND WIRE PENTA TREATED 8 FT	1	EA	13704501
12	0000009576	STAPLE GALV 3 INCH X 1 1/16 INCH X 1/4 INCH	4	EA	13704501
13	0000017302	CLAMP GROUND VISE TYPE FOR 5/8 GROUND ROD CAST BRONZE	1	EA	13704501
14	0000007469	ROD GROUND 5/8 IN X 8 FT COPPERWELD EL230	1	EA	13704501
15	0000022051	PADLOCK AE KEYED FOR AE KEY ONLY FOR DIST EQUIPMENT	1	EA	13704501
3	0000008500	WASHER SQ CURVED HOT DIP GALV 3-1/4 X 3-1/4 X 1/4	2	EA	13704501
5	0000008420	BOLT MACH SQ HEAD HOT DIP GALV G5 5/8 X 14	6	EA	13704501
6	0000008421	BOLT MACH SQ HEAD HOT DIP GALV G5 5/8 X 16	2	EA	13704501
7	0000008499	WASHER SQ HOT DIP GALV 2-1/4 IN X 2-1/4 IN X 3/16 IN	6	EA	13704501
8	0000001236	WASHER COIL SPRING ZINC FOR 5/8 IN BOLT	8	EA	13704501
9	0000006804	CONNECTOR SPLIT BOLT #2 STRD COP	1	EA	13704501

1370-50
Sheet 1 of 3
Rev: 08/01/20

**POLE APPARATUS
900 AMP SWITCHES AND ASSEMBLIES
AIR-SWITCH FACE-MOUNT ASSEMBLY**



1370-50 AIR-SWITCH FACE-MOUNT ASSEMBLY, POWER CABLE RISERS



NOTE: REPLACE EXISTING POLE GROUNDS W. #2 TINNED CU

1370-50	POLE APPARATUS 900 AMP SWITCHES AND ASSEMBLIES AIR-SWITCH FACE-MOUNT ASSEMBLY	
Sheet 2 of 3		
Rev: 08/01/20		

MU

MU-ID MU-REF MU-DESCRIPTION

SWAIRFMASSY900A 13705001 SWITCH AIR FACE MOUNT ASSY 900A

ID	CU-REF	CU-DESC	QTY	MU-REF
A	13704501	SWITCH AIR FACE MOUNT 900 AMP	1	13705001
B	13680301	ARRESTOR FOR OH LINE/XFMR/CAP BANK	6	13705001
C	12450801	LUG 1-HOLE CU #2-3/8 IN HOLE	12	13705001
D	13680460	CLAMP HOT TAP 795 TO 4/0-#6 CU/AL	3	13705001
E	12080303	WIRE # 2 CU BARE TINNED	40	13705001
F	12450413	CONN SPLIT BOLT 2 STRD CU	6	13705001
G	12450205	H-TAP CU/AL 4/0-#6	1	13705001
H	12451120	LUG SGL AL 795 W/BOLTS	6	13705001
I	12450777	CLAMP 2 BOLT 795 - 795	6	13705001
J	12080125	WIRE 795 MCM	40	13705001

SWAIRFMASSYDBLCKT 13705002 SWITCH AIR FACE MOUNT DBL CKT

ID	CU-REF	CU-DESC	QTY	MU-REF
A	13704501	SWITCH AIR FACE MOUNT 900 AMP	1	13705002
B	13680301	ARRESTOR FOR OH LINE/XFMR/CAP BANK	6	13705002
C	12450801	LUG 1-HOLE CU #2-3/8 IN HOLE	12	13705002
D	13680460	CLAMP HOT TAP 795 TO 4/0-#6 CU/AL	6	13705002
E	12080303	WIRE # 2 CU BARE TINNED	40	13705002
F	12450413	CONN SPLIT BOLT 2 STRD CU	6	13705002
G	12450205	H-TAP CU/AL 4/0-#6	1	13705002
H	12451120	LUG SGL AL 795 W/BOLTS	6	13705002
I	12450777	CLAMP 2 BOLT 795 - 795	6	13705002
J	12080125	WIRE 795 MCM	40	13705002

SWAIRFMASSYJUNC 13705003 SWITCH AIR FACE MOUNT ASSEMBLY JUNCTION

ID	CU-REF	CU-DESC	QTY	MU-REF
A	13704501	SWITCH AIR FACE MOUNT 900 AMP	1	13705003
B	13680301	ARRESTOR FOR OH LINE/XFMR/CAP BANK	6	13705003
C	12450801	LUG 1-HOLE CU #2-3/8 IN HOLE	12	13705003
D	13680460	CLAMP HOT TAP 795 TO 4/0-#6 CU/AL	6	13705003
E	12080303	WIRE # 2 CU BARE TINNED	40	13705003
F	12450413	CONN SPLIT BOLT 2 STRD CU	6	13705003
G	12450205	H-TAP CU/AL 4/0-#6	1	13705003
H	12451120	LUG SGL AL 795 W/BOLTS	6	13705003
I	12450777	CLAMP 2 BOLT 795 - 795	6	13705003
J	12080125	WIRE 795 MCM	40	13705003

1370-50	POLE APPARATUS 900 AMP SWITCHES AND ASSEMBLIES AIR- SWITCH FACE- MOUNT ASSEMBLY	
Sheet 3 of 3		
Rev: 08/01/20		

ASSOCIATED MODULES-NARROW PROFILE

	CU ID	CU-DESCRIPTION	QTY	MU-REF
795-PRI	11201601	ARM WOOD DE HD 5 FT	1	14704001
	11201802	INSULATOR DE DBL W/5/8" EYEBOLT	1	14704001
	11201803	INSULATOR DE DBL W/5/8" EYENUT	1	14704001
	11201801	INSULATOR DE DBL	6	14704001
	12400107	DEAD END CLAMP 795	6	14704001

ASSOCIATED MODULES-8 FT CROSSARMS

	CU ID	CU-DESCRIPTION	QTY	MU-REF
795-PRI	11201502	ARM WOOD DBL LD 8 FT	1	14704001
	11201202	WOOD BRACE 26" FOR DBL 8 FT XARM	1	14704001
	11201803	INSULATOR DE DBL W/5/8" EYENUT	6	14704001
	12400107	DEAD END CLAMP 795	6	14704001

ASSOCIATED MODULES-10 FT CROSSARMS

	CU ID	CU-DESCRIPTION	QTY	MU-REF
795-PRI	11201504	ARM WOOD DBL LD 10 FT	1	14704001
	11201302	WOOD BRACE 60 IN FOR DBL 10 FT XARM	1	14704001
	11201803	INSULATOR DE DBL W/5/8" EYENUT	6	14704001
	12400107	DEAD END CLAMP 795	6	14704001

ASSOCIATED MODULES-SELF SUPPORTING

	CU ID	CU-DESCRIPTION	QTY	MU-REF
795-PRI	11201611	ARM FIBERGLASS DE HD 8 FT	1	14704001
	11201802	INSULATOR DE DBL W/5/8" EYEBOLT	1	14704001
	11201803	INSULATOR DE DBL W/5/8" EYENUT	1	14704001
	11201801	INSULATOR DE DBL	4	14704001
	12400107	DEAD END CLAMP 795	6	14704001

ASSOCIATED MODULES-GROUNDING

	CU ID	CU-DESCRIPTION	QTY	MU-REF
1/0 N	11192011	GRD WOOD POLE W/GRD ROD SS #2-1/0 N	1	14704001
	11192016	GRD WOOD POLE W/GRD ROD RS #2-1/0 N	1	14704001
4/0 N	11192012	GRD WOOD POLE W/GRD ROD SS #2-4/0 N	1	14704001
	11192017	GRD WOOD POLE W/GRD ROD RS #2-4/0 N	1	14704001