
	CIVIL DUCT BANKS	1410
		Sheet 1 of 1
Rev. 08/01/20		

1410

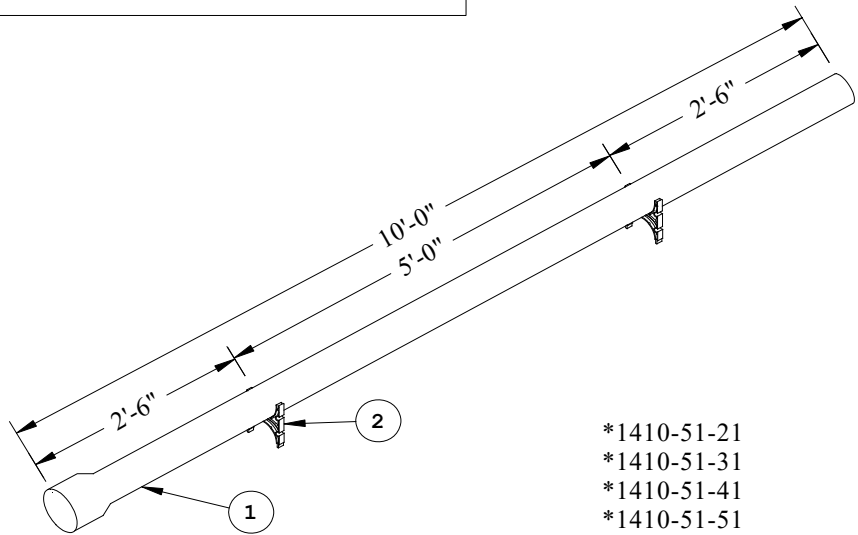
DUCT BANKS

CONTAINS

- 1410-51 DUCT BANKS SCHEDULE 40 (1-CONDUIT)**
- 1410-53 DUCT BANKS SCHEDULE 40 (2, 4, OR 6-CONDUITS)**
- 1410-55 DUCT BANKS SCHEDULE 40 (9 CONDUITS)**
- 1410-56 DUCT BANKS PVC (12 CONDUITS)**
- 1410-57 DUCT BANKS PVC (15 CONDUITS)**
- 1410-58 DUCT BANKS PVC (19 CONDUITS)**
- 1410-60 CONDUIT TERMINATIONS RISER**
- 1410-63 CONDUIT TERMINATIONS VARIOUS**

1410-51	CIVIL	
Sheet 1 of 3	DUCT BANKS	Rev. Date: 08/01/2020
	DUCT BANKS SCHEDULE 40 CONDUIT (1- CONDUIT)	

*THESE MODULES HAVE MULTIPLE CU'S THAT ARE ASSOCIATED WITH THEM AND ARE DETERMINED BY CONTRACT LABOR BID UNITS



- *1410-51-21
- *1410-51-31
- *1410-51-41
- *1410-51-51

SEE PAGES 1419-10 TO 1419-20 FOR BACKFILL AND ENCASEMENTS.

ALWAYS USE SPACERS WHEN CONDUIT IS INSTALLED IN A STACKED CONFIGURATION.

ALWAYS ENCASE 5-IN. AND 6-IN. CONDUITS.


USE ENCASED-BURIED (EB) CONDUIT FOR ALL CONCRETE-ENCASED INSTALLATIONS. USE DIRECT-BURIED (DB) CONDUIT FOR INSTALLATIONS WHEN SAND OR IMPORTED/NATIVE MATERIAL SURROUNDS THE CONDUIT.

USE INTERMEDIATE CONDUIT MODULES 1410-51 ALONG WITH CONFIGURATIONS SHOWN ON PAGES 1410-53 THROUGH 1410-55 TO MAKE UP THE DESIRED NUMBER OF CONDUITS IN A DUCT BANK. TO AVOID HAVING CABLES COMPLETELY SURROUNDED BY OTHER CABLES, TYPICALLY INSTALL DUCT BANKS NO MORE THAN THREE CONDUITS WIDE AND FOUR CONDUITS HIGH.

ALWAYS USE TYPE PVC SCHEDULE 40 FOR ALL STREET CROSSING IN DB AND CONCRETE-CAPPED INSTALLATIONS.

SURROUND DB CONDUIT WITH SAND OR BACKFILL MATERIAL CAPABLE OF PASSING THROUGH A 3/8-IN. SIEVE. GRAVEL CONTENT IN BACKFILL MIX SHALL NOT BE MORE THAN 50% IN VOLUME. TO AVOID DAMAGE TO DB ELECTRICAL CONDUIT, GRADE BOTTOM OF TRENCH SMOOTH. TOP DB CONDUIT WITH 6-IN. (AFTER COMPACTION) OF THE SAME BASE MATERIAL. ACCEPTABLE BASE MATERIAL FOR DB INSTALLATIONS IS SAND, SANDY LOAM, NATIVE MATERIAL, OR A COMBINATION THEREOF. THE BACKFILL MATERIAL ABOVE THE 4-IN. LAYER SPECIFIED ABOVE SHALL BE FREE OF ROCKS LARGER THAN 6-IN. IN ANY DIMENSION.

IF CROSSING MAJOR UTILITIES OR UNDER TRAIN TRACKS, STEEL RIGID MAY BE REQUIRED.

	CIVIL DUCT BANKS	1410-51
	DUCT BANKS SCHEDULE 40 CONDUIT (1- CONDUIT)	Sheet 2 of 3
Rev. 08/01/20		

CU

CU-ID	CU-REF	CU-DESCRIPTION
DB2INSH401X1PEA	14105121A	DUCT BANK 2IN SH40 1X1 PRI EAST ARTERIAL
DB2INSH401X1PWA	14105121B	DUCT BANK 2IN SH40 1X1 PRI WEST ARTERIAL
DB2INSH401X1PEL	14105121C	DUCT BANK 2IN SH40 1X1 PRI EAST LOCAL
DB2INSH401X1PWL	14105121D	DUCT BANK 2IN SH40 1X1 PRI WEST LOCAL
DB2INSH401X1PN	14105121E	DUCT BANK 2IN SH40 1X1 PRI NETWORK
DB2INSH401X1SEA	14105121F	DUCT BANK 2IN SH40 1X1 SEC EAST ARTERIAL
DB2INSH401X1SWA	14105121G	DUCT BANK 2IN SH40 1X1 SEC WEST ARTERIAL
DB2INSH401X1SEL	14105121H	DUCT BANK 2IN SH40 1X1 SEC EAST LOCAL
DB2INSH401X1SWL	14105121I	DUCT BANK 2IN SH40 1X1 SEC WEST LOCAL
DB2INSH401X1SN	14105121J	DUCT BANK 2IN SH40 1X1 SEC NETWORK


ID	PART NUM	PART DESC	QTY		CU-REF
1	0000005226	CONDUIT PVC SCHED 40 2 IN 10 FT W/ONE BELL END	1	FT	14105121
2	0000005231	SPACER INTERMEDIATE FOR 2IN CONDUIT W/2IN SEPARATION	.2	FT	14105121

DB3INSH401X1PEA	14105131A	DUCT BANK 3IN SH40 1X1 PRI EAST ARTERIAL
DB3INSH401X1PWA	14105131B	DUCT BANK 3IN SH40 1X1 PRI WEST ARTERIAL
DB3INSH401X1PEL	14105131C	DUCT BANK 3IN SH40 1X1 PRI EAST LOCAL
DB3INSH401X1PWL	14105131D	DUCT BANK 3IN SH40 1X1 PRI WEST LOCAL
DB3INSH401X1PN	14105131E	DUCT BANK 3IN SH40 1X1 PRI NETWORK
DB3INSH401X1SEA	14105131F	DUCT BANK 3IN SH40 1X1 SEC EAST ARTERIAL
DB3INSH401X1SWA	14105131G	DUCT BANK 3IN SH40 1X1 SEC WEST ARTERIAL
DB3INSH401X1SEL	14105131H	DUCT BANK 3IN SH40 1X1 SEC EAST LOCAL
DB3INSH401X1SWL	14105131I	DUCT BANK 3IN SH40 1X1 SEC WEST LOCAL
DB3INSH401X1SN	14105131J	DUCT BANK 3IN SH40 1X1 SEC NETWORK

ID	PART NUM	PART DESC	QTY		CU-REF
1	0000005227	CONDUIT PVC SCHED 40 3 IN 10 FT W/ONE BELL END	1	FT	14105131
2	0000005231	SPACER INTERMEDIATE FOR 2IN CONDUIT W/2IN SEPARATION	.2	FT	14105131


DB4INSH401X1PEA	14105141A	DUCT BANK 4IN SH40 1X1 PRI EAST ARTERIAL
DB4INSH401X1PWA	14105141B	DUCT BANK 4IN SH40 1X1 PRI WEST ARTERIAL
DB4INSH401X1PEL	14105141C	DUCT BANK 4IN SH40 1X1 PRI EAST LOCAL
DB4INSH401X1PWL	14105141D	DUCT BANK 4IN SH40 1X1 PRI WEST LOCAL
DB4INSH401X1PN	14105141E	DUCT BANK 4IN SH40 1X1 PRI NETWORK
DB4INSH401X1SEA	14105141F	DUCT BANK 4IN SH40 1X1 SEC EAST ARTERIAL
DB4INSH401X1SWA	14105141G	DUCT BANK 4IN SH40 1X1 SEC WEST ARTERIAL
DB4INSH401X1SEL	14105141H	DUCT BANK 4IN SH40 1X1 SEC EAST LOCAL
DB4INSH401X1SWL	14105141I	DUCT BANK 4IN SH40 1X1 SEC WEST LOCAL
DB4INSH401X1SN	14105141J	DUCT BANK 4IN SH40 1X1 SEC NETWORK

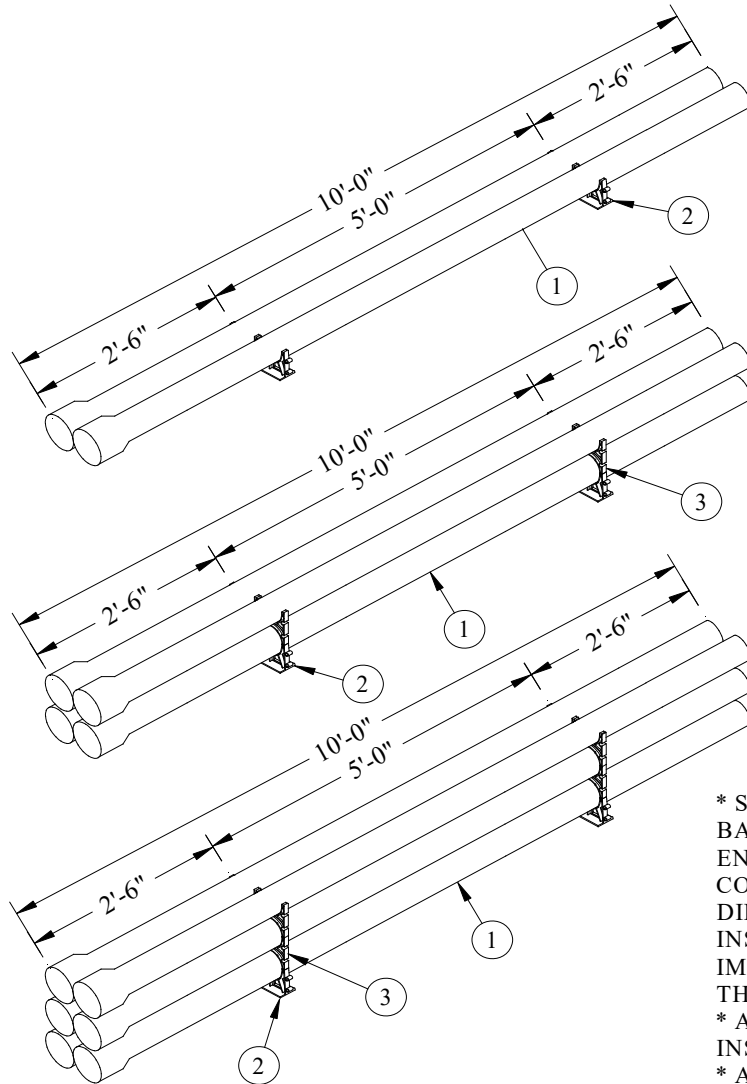
ID	PART NUM	PART DESC	QTY		CU-REF
1	0000005225	CONDUIT PVC SCHED 40 4 IN 10 FT W/ONE BELL END	1	FT	14105141
2	0000005229	SPACER INTERMEDIATE FOR 4IN CONDUIT W/2IN SEPARATION	.2	FT	14105141

1410-51	CIVIL	
Sheet 3 of 3	DUCT BANKS	
	DUCT BANKS SCHEDULE 40 CONDUIT (1- CONDUIT)	Rev. Date: 08/01/2020

CU-ID	CU-REF	CU-DESCRIPTION
DB5INSH401X1PEA	14105151A	DUCT BANK 5IN SH40 1X1 PRI EAST ARTERIAL
DB5INSH401X1PWA	14105151B	DUCT BANK 5IN SH40 1X1 PRI WEST ARTERIAL
DB5INSH401X1PEL	14105151C	DUCT BANK 5IN SH40 1X1 PRI EAST LOCAL
DB5INSH401X1PWL	14105151D	DUCT BANK 5IN SH40 1X1 PRI WEST LOCAL
DB5INSH401X1PN	14105151E	DUCT BANK 5IN SH40 1X1 PRI NETWORK
DB5INSH401X1SEA	14105151F	DUCT BANK 5IN SH40 1X1 SEC EAST ARTERIAL
DB5INSH401X1SWA	14105151G	DUCT BANK 5IN SH40 1X1 SEC WEST ARTERIAL
DB5INSH401X1SEL	14105151H	DUCT BANK 5IN SH40 1X1 SEC EAST LOCAL
DB5INSH401X1SWL	14105151I	DUCT BANK 5IN SH40 1X1 SEC WEST LOCAL
DB5INSH401X1SN	14105151J	DUCT BANK 5IN SH40 1X1 SEC NETWORK

ID	PART NUM	PART DESC	QTY		CU-REF
1	0000005228	CONDUIT PVC SCHED 40 5 IN	1	FT	14105151
2	0000005247	SPACER BASE FOR 5IN CONDUIT W/2IN SEPARATION	.2	FT	14105151
3	0000012733	CONCRETE GRAVEL MIX 80 LB SACK	.04	FT	14105151

	CIVIL DUCT BANKS	1410-53
	DUCT BANKS SCHEDULE 40 CONDUIT (2, 4, OR 6- CONDUITS)	Sheet 1 of 5
Rev. 08/01/20		



- *1410-53-22
- *1410-53-32
- *1410-53-42
- *1410-53-52

*THESE MODULES HAVE MULTIPLE CU'S THAT ARE ASSOCIATED WITH THEM AND ARE DETERMINED BY CONTRACT LABOR BID UNITS

- *1410-53-24
- *1410-53-34
- *1410-53-44
- *1410-53-54

- *1410-53-26
- *1410-53-36
- *1410-53-46
- *1410-53-56


* SEE PAGES 1419-10 TO 1419-20 FOR BACKFILL AND ENCASEMENTS. * USE ENCASED-BURIED (EB) CONDUIT FOR ALL CONCRETE-ENCASED INSTALLATIONS. USE DIRECT-BURIED (DB) CONDUIT FOR INSTALLATIONS WHEN SAND OR IMPORTED/NATIVE MATERIAL SURROUNDS THE CONDUIT.
 * ALWAYS USE SPACERS WHEN CONDUIT IS INSTALLED IN A STACKED CONFIGURATION.
 * ALWAYS ENCASE 5-IN. AND 6-IN. CONDUITS.

USE INTERMEDIATE CONDUIT MODULES 1410-51 ALONG WITH CONFIGURATIONS SHOWN ON PAGES 1410-53 THROUGH 1410-55 TO MAKE UP THE DESIRED NUMBER OF CONDUITS IN A DUCT BANK. TO AVOID HAVING CABLES COMPLETELY SURROUNDED BY OTHER CABLES, TYPICALLY INSTALL DUCT BANKS NO MORE THAN THREE CONDUITS WIDE AND FOUR CONDUITS HIGH.

ALWAYS USE TYPE PVC SCHEDULE 40 FOR ALL STREET CROSSING IN DB AND CONCRETE-CAPPED INSTALLATIONS.

SURROUND DB CONDUIT WITH SAND OR BACKFILL MATERIAL CAPABLE OF PASSING THROUGH A 3/8-IN. SIEVE. GRAVEL CONTENT IN BACKFILL MIX SHALL NOT BE MORE THAN 50% IN VOLUME. TO AVOID DAMAGE TO DB ELECTRICAL CONDUIT, GRADE BOTTOM OF TRENCH SMOOTH. TOP DB CONDUIT WITH 6-IN. (AFTER COMPACTION) OF THE SAME BASE MATERIAL. ACCEPTABLE BASE MATERIAL FOR DB INSTALLATIONS IS SAND, SANDY LOAM, NATIVE MATERIAL, OR A COMBINATION THEREOF. THE BACKFILL MATERIAL ABOVE THE 6-IN. LAYER SPECIFIED ABOVE SHALL BE FREE OF ROCKS LARGER THAN 4-IN. IN ANY DIMENSION.

IF CROSSING MAJOR UTILITIES OR UNDER TRAIN TRACKS, STEEL RIGID MAY BE REQUIRED.

1410-53	CIVIL	
Sheet 2 of 5	DUCT BANKS	
	DUCT BANKS SCHEDULE 40 CONDUIT (2, 4, OR 6- CONDUITS)	Rev. Date: 08/01/2020

CU

CU-ID	CU-REF	CU-DESCRIPTION
DB2INSH401X2PEA	14105322A	DUCT BANK 2IN SH40 1X2 PRI EAST ARTERIAL
DB2INSH401X2PWA	14105322B	DUCT BANK 2IN SH40 1X2 PRI WEST ARTERIAL
DB2INSH401X2PEL	14105322C	DUCT BANK 2IN SH40 1X2 PRI EAST LOCAL
DB2INSH401X2PWL	14105322D	DUCT BANK 2IN SH40 1X2 PRI WEST LOCAL
DB2INSH401X2PN	14105322E	DUCT BANK 2IN SH40 1X2 PRI NETWORK
DB2INSH401X2SEA	14105322F	DUCT BANK 2IN SH40 1X2 SEC EAST ARTERIAL
DB2INSH401X2SWA	14105322G	DUCT BANK 2IN SH40 1X2 SEC WEST ARTERIAL
DB2INSH401X2SEL	14105322H	DUCT BANK 2IN SH40 1X2 SEC EAST LOCAL
DB2INSH401X2SWL	14105322I	DUCT BANK 2IN SH40 1X2 SEC WEST LOCAL
DB2INSH401X2SN	14105322J	DUCT BANK 2IN SH40 1X2 SEC NETWORK


ID	PART NUM	PART DESC	QTY		CU-REF
1	0000005226	CONDUIT PVC SCHED 40 2 IN 10 FT W/ONE BELL END	2	FT	14105322
2	0000005249	SPACER BASE FOR 2IN CONDUIT W/2IN SEPARATION	.4	FT	14105322

DB2INSH402X2PEA	14105324A	DUCT BANK 2IN SH40 2X2 PRI EAST ARTERIAL
DB2INSH402X2PWA	14105324B	DUCT BANK 2IN SH40 2X2 PRI WEST ARTERIAL
DB2INSH402X2PEL	14105324C	DUCT BANK 2IN SH40 2X2 PRI EAST LOCAL
DB2INSH402X2PWL	14105324D	DUCT BANK 2IN SH40 2X2 PRI WEST LOCAL
DB2INSH402X2PN	14105324E	DUCT BANK 2IN SH40 2X2 PRI NETWORK
DB2INSH402X2SEA	14105324F	DUCT BANK 2IN SH40 2X2 SEC EAST ARTERIAL
DB2INSH402X2SWA	14105324G	DUCT BANK 2IN SH40 2X2 SEC WEST ARTERIAL
DB2INSH402X2SEL	14105324H	DUCT BANK 2IN SH40 2X2 SEC EAST LOCAL
DB2INSH402X2SWL	14105324I	DUCT BANK 2IN SH40 2X2 SEC WEST LOCAL
DB2INSH402X2SN	14105324J	DUCT BANK 2IN SH40 2X2 SEC NETWORK

ID	PART NUM	PART DESC	QTY		CU-REF
1	0000005226	CONDUIT PVC SCHED 40 2 IN 10 FT W/ONE BELL END	4	FT	14105324
2	0000005249	SPACER BASE FOR 2IN CONDUIT W/2IN SEPARATION	.4	FT	14105324
3	0000005231	SPACER INTERMEDIATE FOR 2IN CONDUIT W/2IN SEPARATION	.4	FT	14105324

DB2INSH403X2PEA	14105326A	DUCT BANK 2IN SH40 3X2 PRI EAST ARTERIAL
DB2INSH403X2PWA	14105326B	DUCT BANK 2IN SH40 3X2 PRI WEST ARTERIAL
DB2INSH403X2PEL	14105326C	DUCT BANK 2IN SH40 3X2 PRI EAST LOCAL
DB2INSH403X2PWL	14105326D	DUCT BANK 2IN SH40 3X2 PRI WEST LOCAL
DB2INSH403X2PN	14105326E	DUCT BANK 2IN SH40 3X2 PRI NETWORK
DB2INSH403X2SEA	14105326F	DUCT BANK 2IN SH40 3X2 SEC EAST ARTERIAL
DB2INSH403X2SWA	14105326G	DUCT BANK 2IN SH40 3X2 SEC WEST ARTERIAL
DB2INSH403X2SEL	14105326H	DUCT BANK 2IN SH40 3X2 SEC EAST LOCAL
DB2INSH403X2SWL	14105326I	DUCT BANK 2IN SH40 3X2 SEC WEST LOCAL
DB2INSH403X2SN	14105326J	DUCT BANK 2IN SH40 3X2 SEC NETWORK

ID	PART NUM	PART DESC	QTY		CU-REF
1	0000005226	CONDUIT PVC SCHED 40 2 IN 10 FT W/ONE BELL END	6	FT	14105326
2	0000005249	SPACER BASE FOR 2IN CONDUIT W/2IN SEPARATION	.4	FT	14105326
3	0000005231	SPACER INTERMEDIATE FOR 2IN CONDUIT W/2IN SEPARATION	.8	FT	14105326

	CIVIL DUCT BANKS	1410-53
	DUCT BANKS SCHEDULE 40 CONDUIT (2, 4, OR 6- CONDUITS)	Sheet 3 of 5
Rev. 08/01/20		

CU-ID	CU-REF	CU-DESCRIPTION
DB3INSH401X2PEA	14105332A	DUCT BANK 3IN SH40 1X2 PRI EAST ARTERIAL
DB3INSH401X2PWA	14105332B	DUCT BANK 3IN SH40 1X2 PRI WEST ARTERIAL
DB3INSH401X2PEL	14105332C	DUCT BANK 3IN SH40 1X2 PRI EAST LOCAL
DB3INSH401X2PWL	14105332D	DUCT BANK 3IN SH40 1X2 PRI WEST LOCAL
DB3INSH401X2PN	14105332E	DUCT BANK 3IN SH40 1X2 PRI NETWORK
DB3INSH401X2SEA	14105332F	DUCT BANK 3IN SH40 1X2 SEC EAST ARTERIAL
DB3INSH401X2SWA	14105332G	DUCT BANK 3IN SH40 1X2 SEC WEST ARTERIAL
DB3INSH401X2SEL	14105332H	DUCT BANK 3IN SH40 1X2 SEC EAST LOCAL
DB3INSH401X2SWL	14105332I	DUCT BANK 3IN SH40 1X2 SEC WEST LOCAL
DB3INSH401X2SN	14105332J	DUCT BANK 3IN SH40 1X2 SEC NETWORK


ID	PART NUM	PART DESC	QTY	CU-REF
1	0000005227	CONDUIT PVC SCHED 40 3 IN 10 FT W/ONE BELL END	2 FT	14105332

DB3INSH402X2PEA	14105334A	DUCT BANK 3IN SH40 2X2 PRI EAST ARTERIAL
DB3INSH402X2PWA	14105334B	DUCT BANK 3IN SH40 2X2 PRI WEST ARTERIAL
DB3INSH402X2PEL	14105334C	DUCT BANK 3IN SH40 2X2 PRI EAST LOCAL
DB3INSH402X2PWL	14105334D	DUCT BANK 3IN SH40 2X2 PRI WEST LOCAL
DB3INSH402X2PN	14105334E	DUCT BANK 3IN SH40 2X2 PRI NETWORK
DB3INSH402X2SEA	14105334F	DUCT BANK 3IN SH40 2X2 SEC EAST ARTERIAL
DB3INSH402X2SWA	14105334G	DUCT BANK 3IN SH40 2X2 SEC WEST ARTERIAL
DB3INSH402X2SEL	14105334H	DUCT BANK 3IN SH40 2X2 SEC EAST LOCAL
DB3INSH402X2SWL	14105334I	DUCT BANK 3IN SH40 2X2 SEC WEST LOCAL
DB3INSH402X2SN	14105334J	DUCT BANK 3IN SH40 2X2 SEC NETWORK

ID	PART NUM	PART DESC	QTY	CU-REF
1	0000005227	CONDUIT PVC SCHED 40 3 IN 10 FT W/ONE BELL END	4 FT	14105334
3	0000005232	SPACER INTERMEDIATE FOR 3IN CONDUIT W/2IN SEPARATION	.4 FT	14105334

DB3INSH403X2PEA	14105336A	DUCT BANK 3IN SH40 3X2 PRI EAST ARTERIAL
DB3INSH403X2PWA	14105336B	DUCT BANK 3IN SH40 3X2 PRI WEST ARTERIAL
DB3INSH403X2PEL	14105336C	DUCT BANK 3IN SH40 3X2 PRI EAST LOCAL
DB3INSH403X2PWL	14105336D	DUCT BANK 3IN SH40 3X2 PRI WEST LOCAL
DB3INSH403X2PN	14105336E	DUCT BANK 3IN SH40 3X2 PRI NETWORK
DB3INSH403X2SEA	14105336F	DUCT BANK 3IN SH40 3X2 SEC EAST ARTERIAL
DB3INSH403X2SWA	14105336G	DUCT BANK 3IN SH40 3X2 SEC WEST ARTERIAL
DB3INSH403X2SEL	14105336H	DUCT BANK 3IN SH40 3X2 SEC EAST LOCAL
DB3INSH403X2SWL	14105336I	DUCT BANK 3IN SH40 3X2 SEC WEST LOCAL
DB3INSH403X2SN	14105336J	DUCT BANK 3IN SH40 3X2 SEC NETWORK

ID	PART NUM	PART DESC	QTY	CU-REF
1	0000005227	CONDUIT PVC SCHED 40 3 IN 10 FT W/ONE BELL END	6 FT	14105336
3	0000005232	SPACER INTERMEDIATE FOR 3IN CONDUIT W/2IN SEPARATION	.8 FT	14105336

1410-53	CIVIL	
Sheet 4 of 5	DUCT BANKS	
DUCT BANKS SCHEDULE 40 CONDUIT (2, 4, OR 6- CONDUITS)		Rev. Date: 08/01/2020

CU-ID	CU-REF	CU-DESCRIPTION
DB4INSH401X2PEA	14105342A	DUCT BANK 4IN SH40 1X2 PRI EAST ARTERIAL
DB4INSH401X2PWA	14105342B	DUCT BANK 4IN SH40 1X2 PRI WEST ARTERIAL
DB4INSH401X2PEL	14105342C	DUCT BANK 4IN SH40 1X2 PRI EAST LOCAL
DB4INSH401X2PWL	14105342D	DUCT BANK 4IN SH40 1X2 PRI WEST LOCAL
DB4INSH401X2PN	14105342E	DUCT BANK 4IN SH40 1X2 PRI NETWORK
DB4INSH401X2SEA	14105342F	DUCT BANK 4IN SH40 1X2 SEC EAST ARTERIAL
DB4INSH401X2SWA	14105342G	DUCT BANK 4IN SH40 1X2 SEC WEST ARTERIAL
DB4INSH401X2SEL	14105342H	DUCT BANK 4IN SH40 1X2 SEC EAST LOCAL
DB4INSH401X2SWL	14105342I	DUCT BANK 4IN SH40 1X2 SEC WEST LOCAL
DB4INSH401X2SN	14105342J	DUCT BANK 4IN SH40 1X2 SEC NETWORK


ID	PART NUM	PART DESC	QTY		CU-REF
1	0000005225	CONDUIT PVC SCHED 40 4 IN 10 FT W/ONE BELL END	2	FT	14105342
2	0000005245	SPACER BASE FOR 4IN CONDUIT W/2IN SEPARATION	.4	FT	14105342

DB4INSH402X2PEA	14105344A	DUCT BANK 4IN SH40 2X2 PRI EAST ARTERIAL
DB4INSH402X2PWA	14105344B	DUCT BANK 4IN SH40 2X2 PRI WEST ARTERIAL
DB4INSH402X2PEL	14105344C	DUCT BANK 4IN SH40 2X2 PRI EAST LOCAL
DB4INSH402X2PWL	14105344D	DUCT BANK 4IN SH40 2X2 PRI WEST LOCAL
DB4INSH402X2PN	14105344E	DUCT BANK 4IN SH40 2X2 PRI NETWORK
DB4INSH402X2SEA	14105344F	DUCT BANK 4IN SH40 2X2 SEC EAST ARTERIAL
DB4INSH402X2SWA	14105344G	DUCT BANK 4IN SH40 2X2 SEC WEST ARTERIAL
DB4INSH402X2SEL	14105344H	DUCT BANK 4IN SH40 2X2 SEC EAST LOCAL
DB4INSH402X2SWL	14105344I	DUCT BANK 4IN SH40 2X2 SEC WEST LOCAL
DB4INSH402X2SN	14105344J	DUCT BANK 4IN SH40 2X2 SEC NETWORK

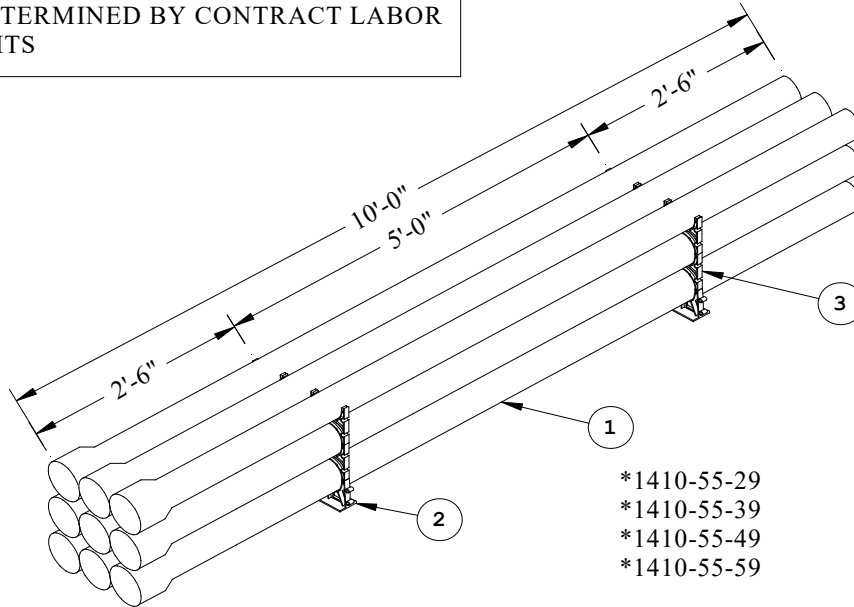
ID	PART NUM	PART DESC	QTY		CU-REF
1	0000005225	CONDUIT PVC SCHED 40 4 IN 10 FT W/ONE BELL END	4	FT	14105344
2	0000005245	SPACER BASE FOR 4IN CONDUIT W/2IN SEPARATION	.4	FT	14105344
3	0000005229	SPACER INTERMEDIATE FOR 4IN CONDUIT W/2IN SEPARATION	.4	FT	14105344

DB4INSH403X2PEA	14105346A	DUCT BANK 4IN SH40 3X2 PRI EAST ARTERIAL
DB4INSH403X2PWA	14105346B	DUCT BANK 4IN SH40 3X2 PRI WEST ARTERIAL
DB4INSH403X2PEL	14105346C	DUCT BANK 4IN SH40 3X2 PRI EAST LOCAL
DB4INSH403X2PWL	14105346D	DUCT BANK 4IN SH40 3X2 PRI WEST LOCAL
DB4INSH403X2PN	14105346E	DUCT BANK 4IN SH40 3X2 PRI NETWORK
DB4INSH403X2SEA	14105346F	DUCT BANK 4IN SH40 3X2 SEC EAST ARTERIAL
DB4INSH403X2SWA	14105346G	DUCT BANK 4IN SH40 3X2 SEC WEST ARTERIAL
DB4INSH403X2SEL	14105346H	DUCT BANK 4IN SH40 3X2 SEC EAST LOCAL
DB4INSH403X2SWL	14105346I	DUCT BANK 4IN SH40 3X2 SEC WEST LOCAL
DB4INSH403X2SN	14105346J	DUCT BANK 4IN SH40 3X2 SEC NETWORK

ID	PART NUM	PART DESC	QTY		CU-REF
1	0000005225	CONDUIT PVC SCHED 40 4 IN 10 FT W/ONE BELL END	6	FT	14105346
2	0000005245	SPACER BASE FOR 4IN CONDUIT W/2IN SEPARATION	.4	FT	14105346
3	0000005229	SPACER INTERMEDIATE FOR 4IN CONDUIT W/2IN SEPARATION	.8	FT	14105346

1410-55	CIVIL	
Sheet 1 of 3	DUCT BANKS	Rev. Date: 08/01/2020
	DUCT BANKS SCHEDULE 40 CONDUIT (9- CONDUITS)	

*THESE MODULES HAVE MULTIPLE CU'S THAT ARE ASSOCIATED WITH THEM AND ARE DETERMINED BY CONTRACT LABOR BID UNITS



SEE PAGES 1419-10 TO 1419-20 FOR BACKFILL AND ENCASEMENTS.

USE ENCASED-BURIED (EB) CONDUIT FOR ALL CONCRETE-ENCASED INSTALLATIONS. USE DIRECT-BURIED (DB) CONDUIT FOR INSTALLATIONS WHEN SAND OR IMPORTED/NATIVE MATERIAL SURROUNDS THE CONDUIT.

ALWAYS USE SPACERS WHEN CONDUIT IS INSTALLED IN A STACKED CONFIGURATION.


ALWAYS ENCASE 5-IN. AND 6-IN. CONDUITS.

USE INTERMEDIATE CONDUIT MODULES 1410-51 ALONG WITH CONFIGURATIONS SHOWN ON PAGES 1410-53 THROUGH 1410-55 TO MAKE UP THE DESIRED NUMBER OF CONDUITS IN A DUCT BANK. TO AVOID HAVING CABLES COMPLETELY SURROUNDED BY OTHER CABLES, TYPICALLY INSTALL DUCT BANKS NO MORE THAN THREE CONDUITS WIDE AND FOUR CONDUITS HIGH.

ALWAYS USE TYPE PVC SCHEDULE 40 FOR ALL STREET CROSSING IN DB AND CONCRETE-CAPPED INSTALLATIONS.

SURROUND DB CONDUIT WITH SAND OR BACKFILL MATERIAL CAPABLE OF PASSING THROUGH A 3/8-IN. SIEVE. GRAVEL CONTENT IN BACKFILL MIX SHALL NOT BE MORE THAN 50% IN VOLUME. TO AVOID DAMAGE TO DB ELECTRICAL CONDUIT, GRADE BOTTOM OF TRENCH SMOOTH. TOP DB CONDUIT WITH 6-IN. (AFTER COMPACTION) OF THE SAME BASE MATERIAL. ACCEPTABLE BASE MATERIAL FOR DB INSTALLATIONS IS SAND, SANDY LOAM, NATIVE MATERIAL, OR A COMBINATION THEREOF. THE BACKFILL MATERIAL ABOVE THE 4-IN. LAYER SPECIFIED ABOVE SHALL BE FREE OF ROCKS LARGER THAN 6-IN. IN ANY DIMENSION.

IF CROSSING MAJOR UTILITIES OR UNDER TRAIN TRACKS, STEEL RIGID MAY BE REQUIRED.

	<p align="center">CIVIL DUCT BANKS</p>	<p align="right">1410-55</p>
<p>Rev. 08/01/20</p>	<p align="center">DUCT BANKS SCHEDULE 40 CONDUIT (9- CONDUITS)</p>	<p align="right">Sheet 2 of 3</p>

CU

CU-ID	CU-REF	CU-DESCRIPTION
--------------	---------------	-----------------------

DB2INSH403X3PEA	14105529A	DUCT BANK 2IN SH40 3X3 PRI EAST ARTERIAL
DB2INSH403X3PWA	14105529B	DUCT BANK 2IN SH40 3X3 PRI WEST ARTERIAL
DB2INSH403X3PEL	14105529C	DUCT BANK 2IN SH40 3X3 PRI EAST LOCAL
DB2INSH403X3PWL	14105529D	DUCT BANK 2IN SH40 3X3 PRI WEST LOCAL
DB2INSH403X3PN	14105529E	DUCT BANK 2IN SH40 3X3 PRI NETWORK
DB2INSH403X3SEA	14105529F	DUCT BANK 2IN SH40 3X3 SEC EAST ARTERIAL
DB2INSH403X3SWA	14105529G	DUCT BANK 2IN SH40 3X3 SEC WEST ARTERIAL
DB2INSH403X3SEL	14105529H	DUCT BANK 2IN SH40 3X3 SEC EAST LOCAL
DB2INSH403X3SWL	14105529I	DUCT BANK 2IN SH40 3X3 SEC WEST LOCAL
DB2INSH403X3SN	14105529J	DUCT BANK 2IN SH40 3X3 SEC NETWORK


ID	PART NUM	PART DESC	QTY	CU-REF
1	0000005226	CONDUIT PVC SCHED 40 2 IN 10 FT W/ONE BELL END	9 FT	14105529
2	0000005249	SPACER BASE FOR 2IN CONDUIT W/2IN SEPARATION	.6 FT	14105529
3	0000005231	SPACER INTERMEDIATE FOR 2IN CONDUIT W/2IN SEPARATION	1.2 FT	14105529

DB3INSH403X3PEA	14105539A	DUCT BANK 3IN SH40 3X3 PRI EAST ARTERIAL
DB3INSH403X3PWA	14105539B	DUCT BANK 3IN SH40 3X3 PRI WEST ARTERIAL
DB3INSH403X3PEL	14105539C	DUCT BANK 3IN SH40 3X3 PRI EAST LOCAL
DB3INSH403X3PWL	14105539D	DUCT BANK 3IN SH40 3X3 PRI WEST LOCAL
DB3INSH403X3PN	14105539E	DUCT BANK 3IN SH40 3X3 PRI NETWORK
DB3INSH403X3SEA	14105539F	DUCT BANK 3IN SH40 3X3 SEC EAST ARTERIAL
DB3INSH403X3SWA	14105539G	DUCT BANK 3IN SH40 3X3 SEC WEST ARTERIAL
DB3INSH403X3SEL	14105539H	DUCT BANK 3IN SH40 3X3 SEC EAST LOCAL
DB3INSH403X3SWL	14105539I	DUCT BANK 3IN SH40 3X3 SEC WEST LOCAL
DB3INSH403X3SN	14105539J	DUCT BANK 3IN SH40 3X3 SEC NETWORK

ID	PART NUM	PART DESC	QTY	CU-REF
1	0000005227	CONDUIT PVC SCHED 40 3 IN 10 FT W/ONE BELL END	9 FT	14105539
3	0000005232	SPACER INTERMEDIATE FOR 3IN CONDUIT W/2IN SEPARATION	1.2 FT	14105539


DB4INSH403X3PEA	14105549A	DUCT BANK 4IN SH40 3X3 PRI EAST ARTERIAL
DB4INSH403X3PWA	14105549B	DUCT BANK 4IN SH40 3X3 PRI WEST ARTERIAL
DB4INSH403X3PEL	14105549C	DUCT BANK 4IN SH40 3X3 PRI EAST LOCAL
DB4INSH403X3PWL	14105549D	DUCT BANK 4IN SH40 3X3 PRI WEST LOCAL
DB4INSH403X3PN	14105549E	DUCT BANK 4IN SH40 3X3 PRI NETWORK
DB4INSH403X3SEA	14105549F	DUCT BANK 4IN SH40 3X3 SEC EAST ARTERIAL
DB4INSH403X3SWA	14105549G	DUCT BANK 4IN SH40 3X3 SEC WEST ARTERIAL
DB4INSH403X3SEL	14105549H	DUCT BANK 4IN SH40 3X3 SEC EAST LOCAL
DB4INSH403X3SWL	14105549I	DUCT BANK 4IN SH40 3X3 SEC WEST LOCAL
DB4INSH403X3SN	14105549J	DUCT BANK 4IN SH40 3X3 SEC NETWORK

ID	PART NUM	PART DESC	QTY	CU-REF
1	0000005225	CONDUIT PVC SCHED 40 4 IN 10 FT W/ONE BELL END	9 FT	14105549
2	0000005245	SPACER BASE FOR 4IN CONDUIT W/2IN SEPARATION	.6 FT	14105549
3	0000005229	SPACER INTERMEDIATE FOR 4IN CONDUIT W/2IN SEPARATION	1.2 FT	14105549

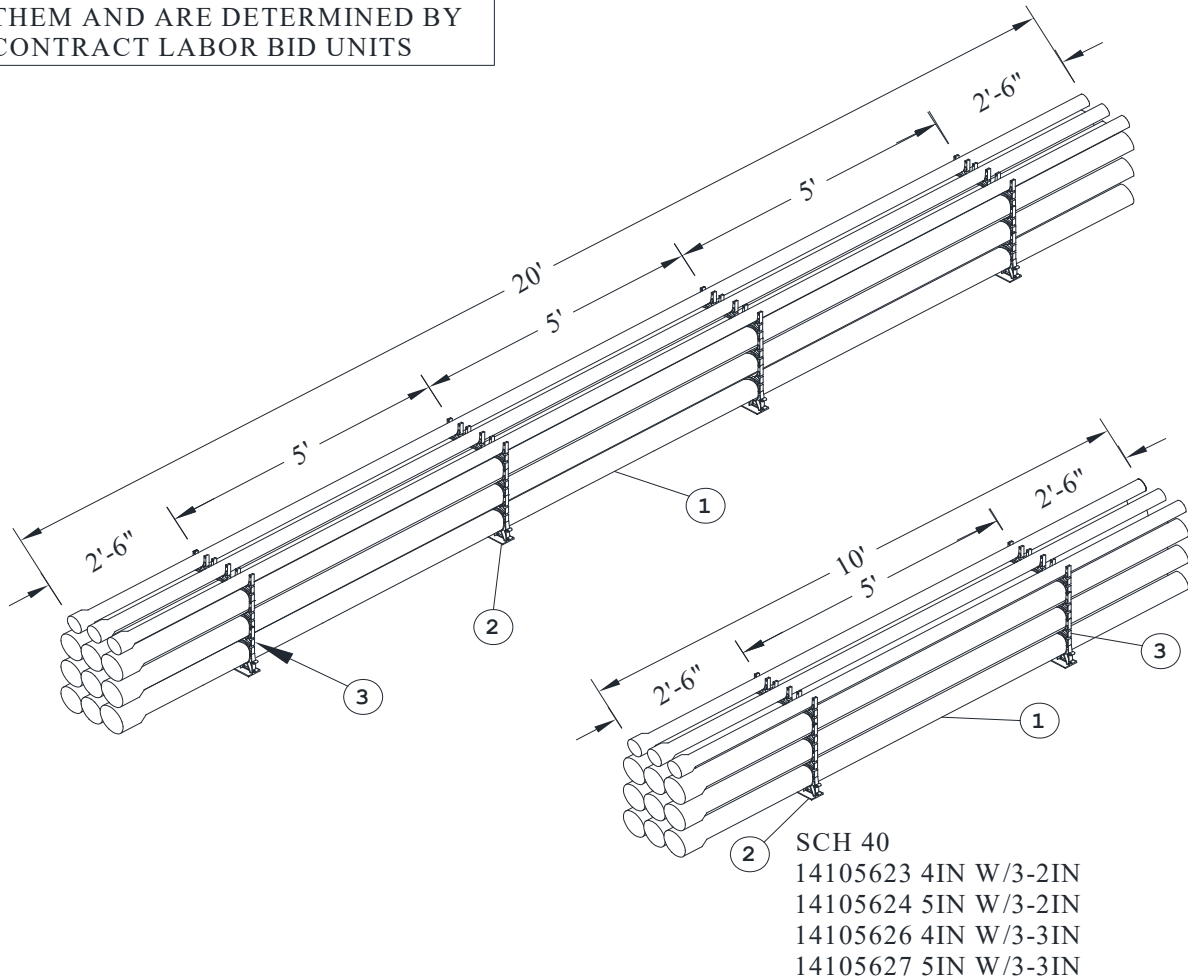
1410-55	CIVIL	
Sheet 3 of 3	DUCT BANKS	
	DUCT BANKS SCHEDULE 40 CONDUIT (9- CONDUITS)	Rev. Date: 08/01/2020

CU-ID	CU-REF	CU-DESCRIPTION
DB5INSH403X3PEA	14105559A	DUCT BANK 5IN SH40 3X3 PRI EAST ARTERIAL
DB5INSH403X3PWA	14105559B	DUCT BANK 5IN SH40 3X3 PRI WEST ARTERIAL
DB5INSH403X3PEL	14105559C	DUCT BANK 5IN SH40 3X3 PRI EAST LOCAL
DB5INSH403X3PWL	14105559D	DUCT BANK 5IN SH40 3X3 PRI WEST LOCAL
DB5INSH403X3PN	14105559E	DUCT BANK 5IN SH40 3X3 PRI NETWORK
DB5INSH403X3SEA	14105559F	DUCT BANK 5IN SH40 3X3 SEC EAST ARTERIAL
DB5INSH403X3SWA	14105559G	DUCT BANK 5IN SH40 3X3 SEC WEST ARTERIAL
DB5INSH403X3SEL	14105559H	DUCT BANK 5IN SH40 3X3 SEC EAST LOCAL
DB5INSH403X3SWL	14105559I	DUCT BANK 5IN SH40 3X3 SEC WEST LOCAL
DB5INSH403X3SN	14105559J	DUCT BANK 5IN SH40 3X3 SEC NETWORK

ID	PART NUM	PART DESC	QTY	CU-REF
1	0000005228	CONDUIT PVC SCHED 40 5 IN	9 FT	14105559
2	0000005247	SPACER BASE FOR 5IN CONDUIT W/2IN SEPARATION	.6 FT	14105559
3	0000005230	SPACER INTERMEDIATE FOR 5IN CONDUIT W/2IN SEPARATION	1.2 FT	14105559
4	0000012733	CONCRETE GRAVEL MIX 80 LB SACK	.23 FT	14105559


	CIVIL DUCT BANKS	1410-56
	DUCT BANKS PVC CONDUIT (12- CONDUITS)	Sheet 1 of 3
Rev. 08/01/20		

THESE MODULES HAVE MULTIPLE CU'S THAT ARE ASSOCIATED WITH THEM AND ARE DETERMINED BY CONTRACT LABOR BID UNITS



NOTES:

1. SEE PAGE 1419-20 FOR NETWORK TRENCH DETAILS.
2. ALWAYS USE SPACERS WHEN CONDUIT IS INSTALLED IN A STACKED CONFIGURATION.
3. ALWAYS ENCASE ALL CONDUITS WITH 2000 PSI CONCRETE.
4. ALWAYS USE TYPE PVC SCHEDULE 40 FOR ALL STREET CROSSINGS.

1410-56	CIVIL	
Sheet 2 of 3	DUCT BANKS	
	DUCT BANKS PVC CONDUIT (12- CONDUITS)	

CU


CU-ID CU-REF CU-DESCRIPTION

DB4INSH403X3W3-2IN12 14105623 DUCTBNK 4IN SH40 3X3 W/3-2IN 12 PRI NET

ID	PART NUM	PART DESC	QTY		CU-REF
1	000005245	SPACER BASE FOR 4IN CONDUIT W/2IN SEPARATION	.6	FT	14105623
2	000005225	CONDUIT PVC SCHED 40 4 IN 10 FT W/ONE BELL END	9	FT	14105623
3	000005229	SPACER INTERMEDIATE FOR 4IN CONDUIT W/2IN SEPARATION	1.2	FT	14105623
4	000005249	SPACER BASE FOR 2IN CONDUIT W/2IN SEPARATION	.6	FT	14105623
5	000005226	CONDUIT PVC SCHED 40 2 IN 10 FT W/ONE BELL END	3	FT	14105623
6	0000012733	CONCRETE GRAVEL MIX 80 LB SACK	.18	FT	14105623

DB4INSH403X3W3-3IN12 14105626 DUCTBNK 4IN SH40 3X3 W/3-3IN 12 PRI NET

ID	PART NUM	PART DESC	QTY		CU-REF
1	000005245	SPACER BASE FOR 4IN CONDUIT W/2IN SEPARATION	.6	FT	14105626
2	000005225	CONDUIT PVC SCHED 40 4 IN 10 FT W/ONE BELL END	9	FT	14105626
3	000005229	SPACER INTERMEDIATE FOR 4IN CONDUIT W/2IN SEPARATION	1.2	FT	14105626
5	000005227	CONDUIT PVC SCHED 40 3 IN 10 FT W/ONE BELL END	3	FT	14105626
6	0000012733	CONCRETE GRAVEL MIX 80 LB SACK	.18	FT	14105626

	CIVIL	1410-56
	DUCT BANKS	Sheet 3 of 3
Rev. 08/01/20	DUCT BANKS PVC CONDUIT (12- CONDUITS)	


CU-ID	CU-REF	CU-DESCRIPTION
--------------	---------------	-----------------------

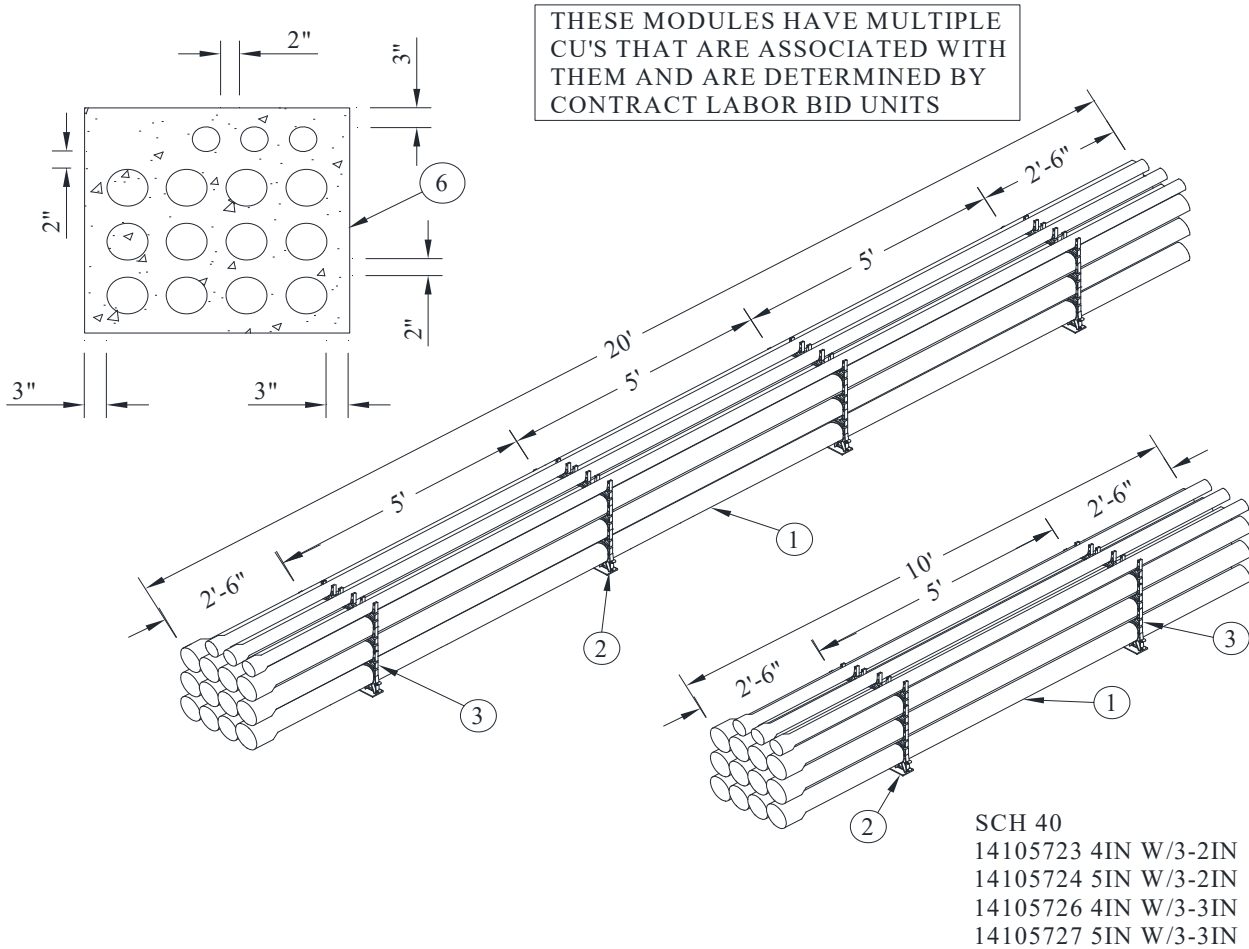
DB5INSH403X3W3-2IN12	14105624	DUCTBNK 5IN SH40 3X3 W/3-2IN 12 PRI NET
----------------------	----------	---

ID	PART NUM	PART DESC	QTY		CU-REF
1	000005228	CONDUIT PVC SCHED 40 5 IN	9	FT	14105624
2	000001108	CONDUIT PVC 2 IN TY EB-35 20 FT W/ONE BELL END	3	FT	14105624
3	000005247	SPACER BASE FOR 5IN CONDUIT W/2IN SEPARATION	.6	FT	14105624
4	000005249	SPACER BASE FOR 2IN CONDUIT W/2IN SEPARATION	.06	FT	14105624
5	000005230	SPACER INTERMEDIATE FOR 5IN CONDUIT W/2IN SEPARATION	1.2	FT	14105624
6	0000012733	CONCRETE GRAVEL MIX 80 LB SACK	.18	FT	14105624

DB5INSH403X3W3-3IN12	14105627	DUCTBNK 5IN SH40 3X3 W/3-3IN 12 PRI NET
----------------------	----------	---

ID	PART NUM	PART DESC	QTY		CU-REF
1	000005228	CONDUIT PVC SCHED 40 5 IN	9	FT	14105627
2	000001109	CONDUIT 3" PVC TY EB-35 20 FT W/ONE BELL END	3	FT	14105627
3	000005247	SPACER BASE FOR 5IN CONDUIT W/2IN SEPARATION	.6	FT	14105627
5	000005230	SPACER INTERMEDIATE FOR 5IN CONDUIT W/2IN SEPARATION	1.2	FT	14105627
6	0000012733	CONCRETE GRAVEL MIX 80 LB SACK	.26	FT	14105627

1410-57	CIVIL	
Sheet 1 of 3	DUCT BANKS	Rev. Date: 08/01/2020
	DUCT BANKS PVC CONDUIT (15- CONDUITS)	




SEE PAGES 1419-10 TO 1419-20 FOR BACKFILL AND ENCASEMENTS.

ALWAYS USE SPACERS WHEN CONDUIT IS INSTALLED IN A STACKED CONFIGURATION.

ALWAYS ENCASE 5-IN. AND 6-IN. CONDUITS.

ALWAYS USE TYPE PVC SCHEDULE 40 FOR ALL STREET CROSSING IN DB AND CONCRETE-CAPPED INSTALLATIONS.

1410-57	CIVIL DUCT BANKS DUCT BANKS PVC CONDUIT (15- CONDUITS)	
Sheet 3 of 3		
		Rev. Date: 08/01/2020

CU-ID CU-REF CU-DESCRIPTION

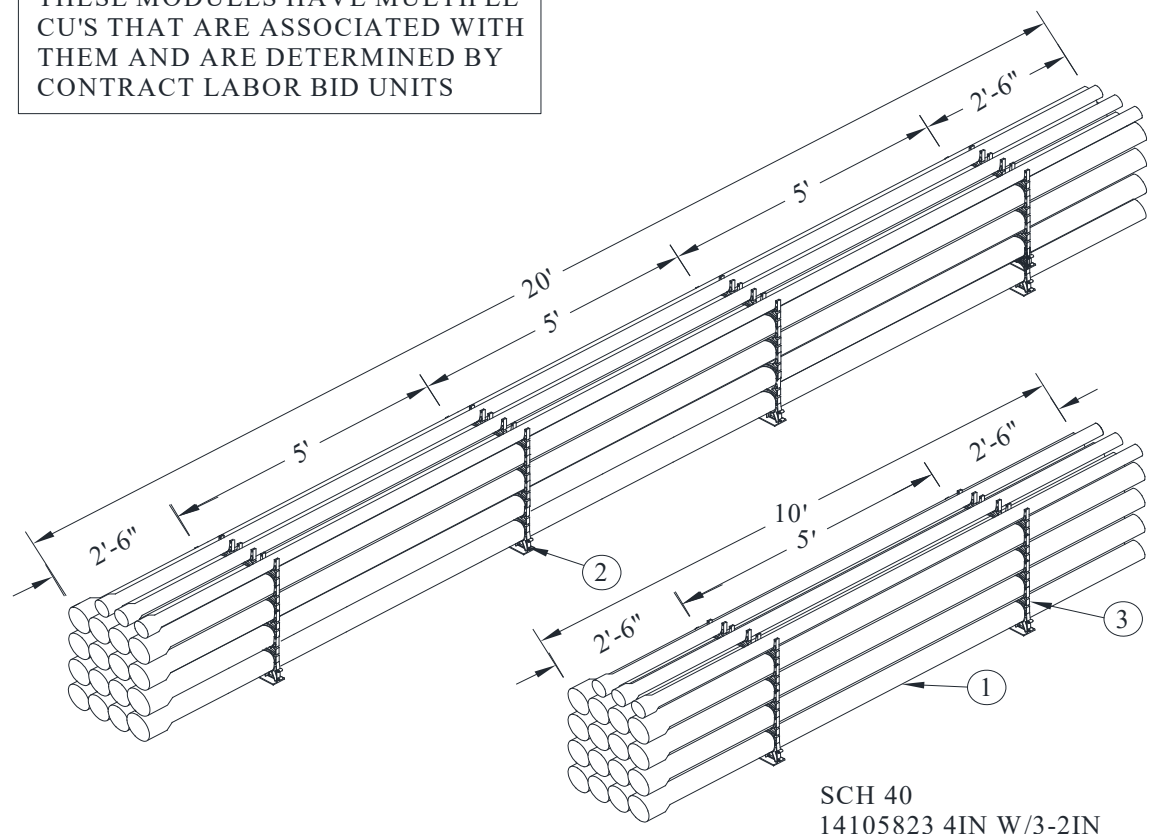
DB5INSH403X4W3-2IN15 14105724 DUCTBNK 5IN SH40 3X4 W/3-2IN 15 PRI NET

ID	PART NUM	PART DESC	QTY		CU-REF
1	000005228	CONDUIT PVC SCHED 40 5 IN	12	FT	14105724
2	000005247	SPACER BASE FOR 5IN CONDUIT W/2IN SEPARATION	.8	FT	14105724
3	000005230	SPACER INTERMEDIATE FOR 5IN CONDUIT W/2IN SEPARATION	1.6	FT	14105724
4	000005226	CONDUIT PVC SCHED 40 2 IN 10 FT W/ONE BELL END	3	FT	14105724
5	000005249	SPACER BASE FOR 2IN CONDUIT W/2IN SEPARATION	.6	FT	14105724
6	0000012733	CONCRETE GRAVEL MIX 80 LB SACK	5.82	FT	14105724

DB5INSH403X4W3-3IN15 14105727 DUCTBNK 5IN SH40 3X4 W/3-3IN 15 PRI NET

ID	PART NUM	PART DESC	QTY		CU-REF
1	000005228	CONDUIT PVC SCHED 40 5 IN	12	FT	14105727
2	000005247	SPACER BASE FOR 5IN CONDUIT W/2IN SEPARATION	.8	FT	14105727
3	000005230	SPACER INTERMEDIATE FOR 5IN CONDUIT W/2IN SEPARATION	1.6	FT	14105727
4	000005227	CONDUIT PVC SCHED 40 3 IN 10 FT W/ONE BELL END	3	FT	14105727
6	0000012733	CONCRETE GRAVEL MIX 80 LB SACK	6.93	FT	14105727


THESE MODULES HAVE MULTIPLE CU'S THAT ARE ASSOCIATED WITH THEM AND ARE DETERMINED BY CONTRACT LABOR BID UNITS



- SCH 40
- 14105823 4IN W/3-2IN
- 14105824 5IN W/3-2IN
- 14105826 4IN W/3-3IN
- 14105827 5IN W/3-3IN

NOTES:

1. SEE PAGE 1419-20 FOR NETWORK TRENCH DETAILS.
2. ALWAYS USE SPACERS WHEN CONDUIT IS INSTALLED IN A STACKED CONFIGURATION.
3. ALWAYS ENCASE ALL CONDUITS WITH 2000 PSI CONCRETE.
4. ALWAYS USE TYPE PVC SCHEDULE 40 FOR ALL STREET CROSSINGS.

1410-58	CIVIL	
Sheet 2 of 3	DUCT BANKS	
	DUCT BANKS PVC CONDUIT (19- CONDUITS)	

CU


CU-ID CU-REF CU-DESCRIPTION

DB4INSH404X4W3-2IN19 14105823 DUCTBNK 4IN SH40 4X4 W/3-2IN 19 PRI NET

ID	PART NUM	PART DESC	QTY	CU-REF
1	0000005225	CONDUIT PVC SCHED 40 4 IN 10 FT W/ONE BELL END	16 FT	14105823
2	0000005245	SPACER BASE FOR 4IN CONDUIT W/2IN SEPARATION	.8 FT	14105823
3	0000005229	SPACER INTERMEDIATE FOR 4IN CONDUIT W/2IN SEPARATION	2.4 FT	14105823
4	0000005226	CONDUIT PVC SCHED 40 2 IN 10 FT W/ONE BELL END	3 FT	14105823
5	0000005249	SPACER BASE FOR 2IN CONDUIT W/2IN SEPARATION	.6 FT	14105823
6	0000012733	CONCRETE GRAVEL MIX 80 LB SACK	4.81 FT	14105823

DB4INSH404X4W3-3IN19 14105826 DUCTBNK 4IN SH40 4X4 W/3-3IN 19 PRI NET

ID	PART NUM	PART DESC	QTY	CU-REF
1	0000005225	CONDUIT PVC SCHED 40 4 IN 10 FT W/ONE BELL END	16 FT	14105826
2	0000005245	SPACER BASE FOR 4IN CONDUIT W/2IN SEPARATION	.8 FT	14105826
3	0000005229	SPACER INTERMEDIATE FOR 4IN CONDUIT W/2IN SEPARATION	2.4 FT	14105826
4	0000005227	CONDUIT PVC SCHED 40 3 IN 10 FT W/ONE BELL END	3 FT	14105826
6	0000012733	CONCRETE GRAVEL MIX 80 LB SACK	4.81 FT	14105826

	CIVIL DUCT BANKS	1410-58
	DUCT BANKS PVC CONDUIT (19- CONDUITS)	Sheet 3 of 3
Rev. 08/01/20		


CU- ID	CU- REF	CU- DESCRIPTION
---------------	----------------	------------------------

DB5INSH404X4W3-2IN19	14105824	DUCTBNK 5IN SH40 4X4 W/3-2IN 19 PRI NET
----------------------	----------	---

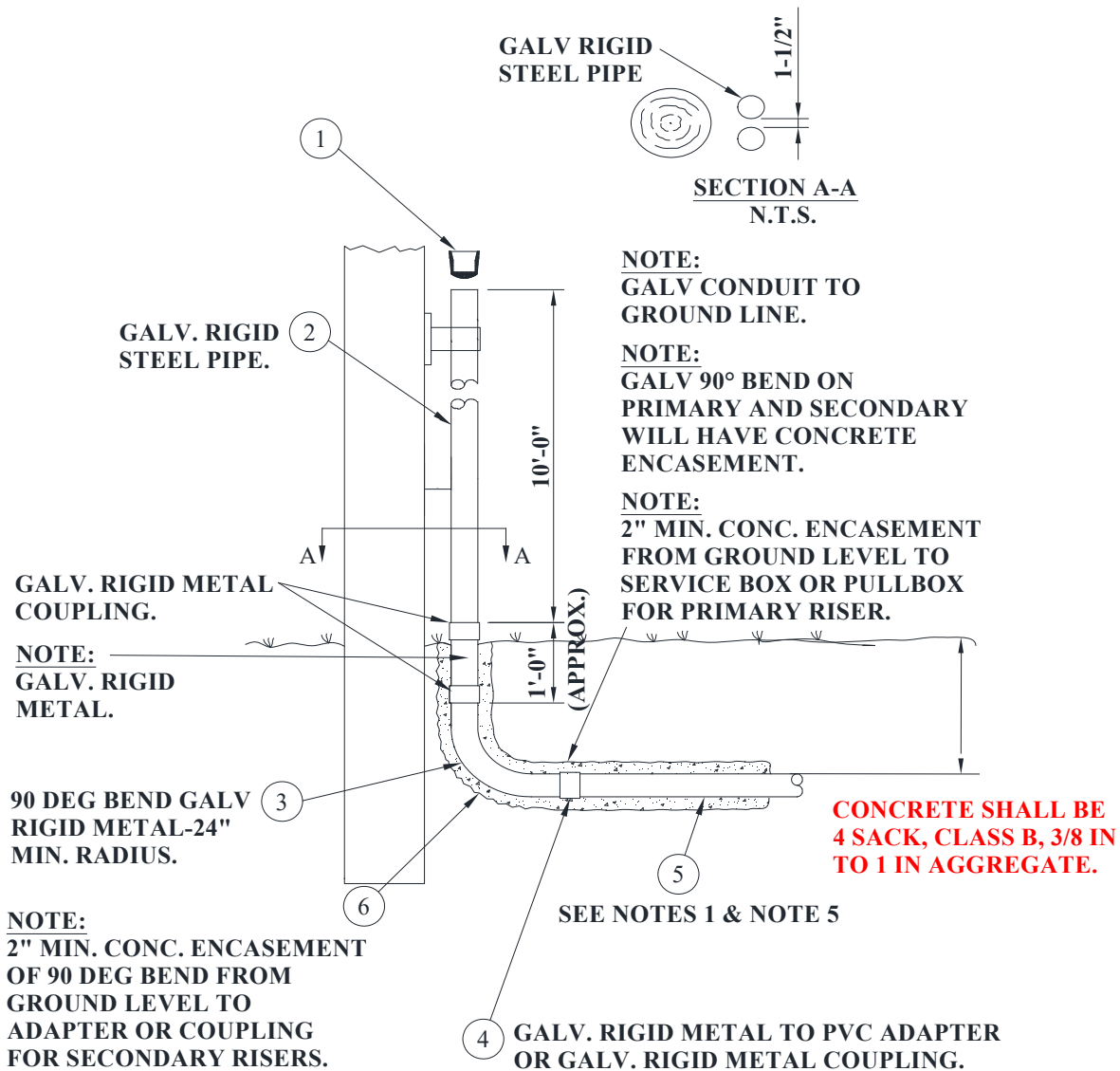
ID	PART NUM	PART DESC	QTY		CU- REF
1	0000005228	CONDUIT PVC SCHED 40 5 IN	16	FT	14105824
2	0000005247	SPACER BASE FOR 5IN CONDUIT W/2IN SEPARATION	.8	FT	14105824
3	0000005230	SPACER INTERMEDIATE FOR 5IN CONDUIT W/2IN SEPARATION	2.4	FT	14105824
4	0000005226	CONDUIT PVC SCHED 40 2 IN 10 FT W/ONE BELL END	3	FT	14105824
5	0000005249	SPACER BASE FOR 2IN CONDUIT W/2IN SEPARATION	.6	FT	14105824
6	0000012733	CONCRETE GRAVEL MIX 80 LB SACK	6.93	FT	14105824

DB5INSH404X4W3-3IN19	14105827	DUCTBNK 5IN SH40 4X4 W/3-3IN 19 PRI NET
----------------------	----------	---

ID	PART NUM	PART DESC	QTY		CU- REF
1	0000005228	CONDUIT PVC SCHED 40 5 IN	16	FT	14105827
2	0000005247	SPACER BASE FOR 5IN CONDUIT W/2IN SEPARATION	.8	FT	14105827
3	0000005230	SPACER INTERMEDIATE FOR 5IN CONDUIT W/2IN SEPARATION	2.4	FT	14105827
4	0000005227	CONDUIT PVC SCHED 40 3 IN 10 FT W/ONE BELL END	3	FT	14105827
6	0000012733	CONCRETE GRAVEL MIX 80 LB SACK	6.93	FT	14105827

1410-60	CIVIL	
Sheet 1 of 3	DUCT BANKS	
		Rev. Date: 08/01/2020


1410-60 CONDUIT TERMINATIONS RISER



1410-60-01

NOTE:

1. TYPE, SIZE & NUMBER OF CONDUITS, SIZE TO SERVICE BOX OR PULLBOX, & INSTALLATION SPECIFICATIONS SHALL BE DETERMINED BY AUSTIN ENERGY DESIGN.
2. CUSTOMER SHALL INSURE THAT THE RISER CONDUIT IS PLUMB WITH POLE AND HAS THE PROPER STAND OFF OF 4".
3. PRIMARY RISER-TOP OF CONDUIT SHALL BE A MIN. OF 30" BELOW GRADE. SECONDARY RISER-TOP OF CONDUIT SHALL BE A MIN. OF 24" BELOW GRADE.
4. SERVICE BOX/PULLBOX AND RISER CONDUIT SHALL BE INSPECTED BY AUSTIN ENERGY, CIVIL INSPECTION SECTION OR AUSTIN ENERGY WORK MANAGEMENT.
5. CONDUIT IN WHICH THE CUSTOMER/ELECTRICIAN INSTALLS THE WIRE SHALL BE INSPECTED BY THE DEVELOPMENT REVIEW & INSPECTION DEPARTMENT, ELECTRIC INSPECTION SECTION. (PVC CONDUIT SHALL BE A MINIMUM OF SCHEDULE 40. IF SCHEDULE 80 IS REQUESTED, IT MAY BE USED.)
6. FIRST PULLBOX OR MANHOLE TO BE MINIMUM OF 5' FROM POLE.
7. 36" MIN TO TOP OF CONDUIT OR ENCASEMENT IN C.O.A. ROW.

	CIVIL DUCT BANKS	1410-60
		Sheet 2 of 3
Rev. 08/01/20		

CU

CU-ID

CU-REF

CU-DESCRIPTION

CONDTMRISSGL2INE	14106020A	COND TERM RISER SGL 2IN EAST
CONDTMRISSGL2INW	14106020B	COND TERM RISER SGL 2IN WEST
CONDTMRISSGL2INN	14106020C	COND TERM RISER SGL 2IN NETWORK

ID	PART NUM	PART DESC	QTY		CU-REF
1	000000556	ELBOW CONDUIT RIGID GALV 90 DEG 24 IN RADIUS 2 IN	1	EA	14106020
2	0000005475	CONDUIT GALV IRON 2 IN 10 FT LENGTH EL-196	10	EA	14106020
3	0000006780	COUPLING PVC CONDUIT FEMALE 2 IN	1	EA	14106020
4	0000005226	CONDUIT PVC SCHED 40 2 IN 10 FT W/ONE BELL END	10	EA	14106020
5	0000005268	PLUG PLASTIC CONDUIT 2 IN	1	EA	14106020
6	0000012733	CONCRETE GRAVEL MIX 80 LB SACK	.75	EA	14106020

CONDTMRISPAR2INE	14106021A	COND TERM RISER PARALLEL 2IN EAST
CONDTMRISPAR2INW	14106021B	COND TERM RISER PARALLEL 2IN WEST
CONDTMRISPAR2INN	14106021C	COND TERM RISER PARALLEL 2IN NETWORK

ID	PART NUM	PART DESC	QTY		CU-REF
1	000000556	ELBOW CONDUIT RIGID GALV 90 DEG 24 IN RADIUS 2 IN	2	EA	14106021
2	0000005475	CONDUIT GALV IRON 2 IN 10 FT LENGTH EL-196	20	EA	14106021
3	0000006780	COUPLING PVC CONDUIT FEMALE 2 IN	2	EA	14106021
4	0000005226	CONDUIT PVC SCHED 40 2 IN 10 FT W/ONE BELL END	20	EA	14106021
5	0000005268	PLUG PLASTIC CONDUIT 2 IN	2	EA	14106021
6	0000012733	CONCRETE GRAVEL MIX 80 LB SACK	1.5	EA	14106021

CONDTMRISSGL3INE	14106022A	COND TERM RISER SGL 3IN EAST
CONDTMRISSGL3INW	14106022B	COND TERM RISER SGL 3IN WEST
CONDTMRISSGL3INN	14106022C	COND TERM RISER SGL 3IN NETWORK

ID	PART NUM	PART DESC	QTY		CU-REF
1	0000005353	ELBOW CONDUIT RIGID GALV 90 DEG 36 IN RADIUS 3 IN	1	EA	14106022
2	0000005476	CONDUIT GALV IRON 3 IN 10 FT LENGTH EL196	10	EA	14106022
3	0000006791	COUPLING PVC CONDUIT 3 IN SCH 40	1	EA	14106022
4	0000005227	CONDUIT PVC SCHED 40 3 IN 10 FT W/ONE BELL END	10	EA	14106022
5	0000005269	PLUG PLASTIC CONDUIT 3 IN WITH PULLING EYE	1	EA	14106022
6	0000012733	CONCRETE GRAVEL MIX 80 LB SACK	.75	EA	14106022

CONDTMRISPAR3INE	14106023A	COND TERM RISER PARALLEL 3IN EAST
CONDTMRISPAR3INW	14106023B	COND TERM RISER PARALLEL 3IN WEST
CONDTMRISPAR3INN	14106023C	COND TERM RISER PARALLEL 3IN NETWORK

ID	PART NUM	PART DESC	QTY		CU-REF
1	0000005353	ELBOW CONDUIT RIGID GALV 90 DEG 36 IN RADIUS 3 IN	2	EA	14106023
2	0000005476	CONDUIT GALV IRON 3 IN 10 FT LENGTH EL196	20	EA	14106023
3	0000006791	COUPLING PVC CONDUIT 3 IN SCH 40	2	EA	14106023
4	0000005227	CONDUIT PVC SCHED 40 3 IN 10 FT W/ONE BELL END	20	EA	14106023
5	0000005269	PLUG PLASTIC CONDUIT 3 IN WITH PULLING EYE	2	EA	14106023
6	0000012733	CONCRETE GRAVEL MIX 80 LB SACK	1.5	EA	14106023

THIS DRAWING IS FOR REFERENCE ONLY.

PRIME AND CEMENT - WELD (GLUE) ALL CONDUIT JOINTS.
PRIMER AND CEMENT SHALL COMPLY WITH ASTM F656 AND
ASTM D2565 RESPECTIVELY.
CAP ALL CONDUIT STUBS.
PLUG ALL UNOCCUPIED CONDUITS AT A SUBSTRUCTURE.



PAD TO PAD



PAD TO PULLBOX



PAD TO STUB



PULLBOX TO STUB



PULLBOX TO PULLBOX