


	STREETLIGHTS DECORATIVE STREETLIGHT	1919
		Sheet 1 of 1
Rev: 08/01/20		

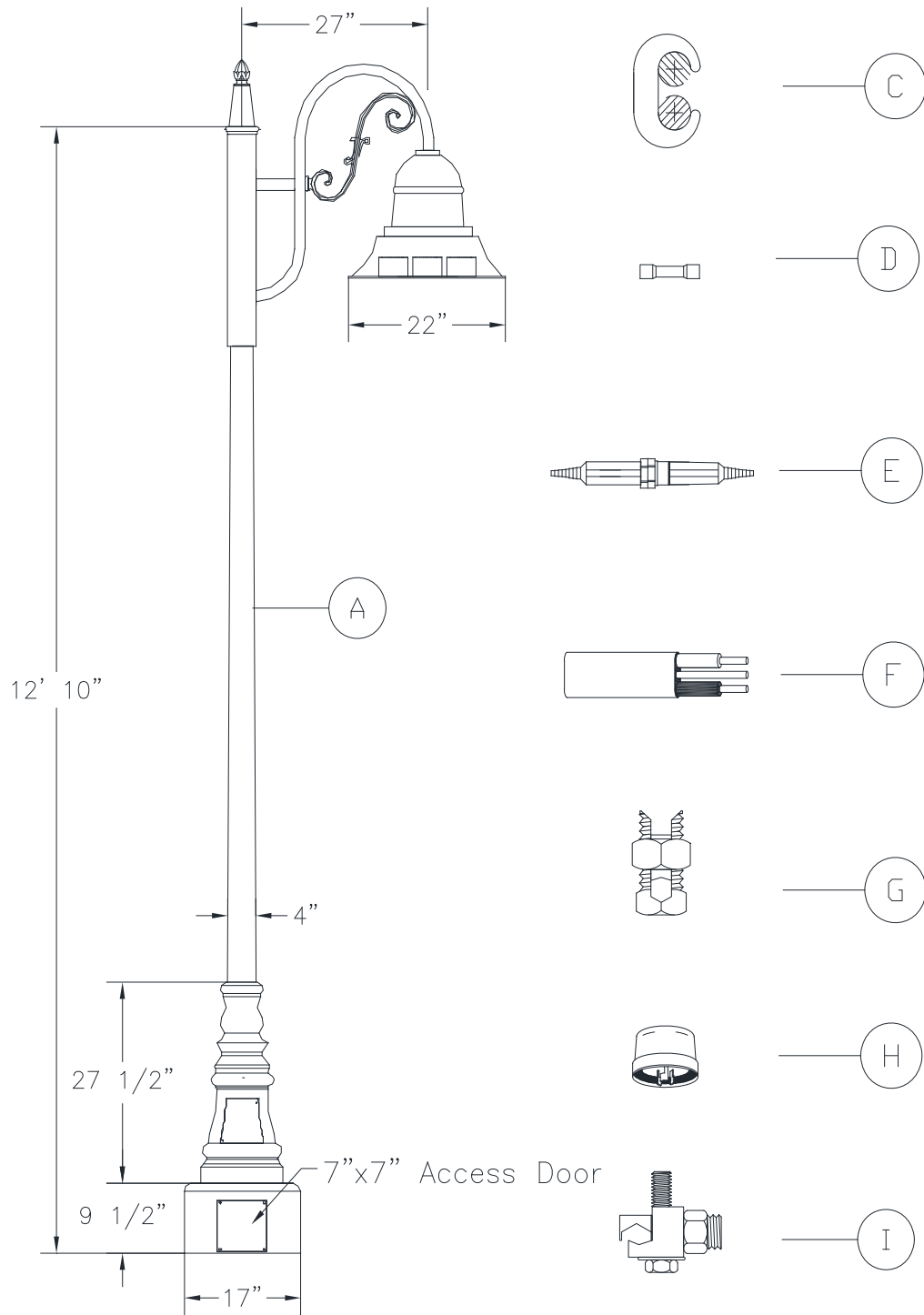
1919

**DECORATIVE
STREETLIGHT**

CONTAINS

- 1919-45 SUNSET VALLEY LED ASSEMBLY**
- 1919-49 TOWN LAKE LED ASSEMBLY**
- 1919-44 PECAN STREET ASSEMBLY (UNO ONLY)**
- 1919-50 GREAT STREETS ASSEMBLY
(GREAT STREETS ONLY)**

1919-46	STREETLIGHTS	
Sheet 1 of 4	DECORATIVE STREETLIGHT	
	SUNSET VALLEY LED ASSEMBLY	Rev: 08/01/20



MU- ID MU- REF MU- DESCRIPTION

DECSVLEDBLACK100W120V 19194510 DECORATIVE SUNSET VALLEY LED BLACK 100W

ID	CU-REF	CU-DESC	QTY	MU-REF
A	19192401	DECORATIVE SUNSET VALLEY BLK LED 100W	1	19194510
C	19287003	CLAMP COMPRESSION CU #10 TO #12	1	19194510
D	19284520	MIDGET FUSE 5 AMP 600V AC	1	19194510
E	19284505	FUSE HOLDER BREAKAWAY 1IN AND 1OUT	1	19194510
F	12080402	WIRE # 12 CU 2C W/GRD	20	19194510
G	12450411	CONN SPLIT BOLT 6 SOLID CU	1	19194510
H	19282072	CONTROLLER COMMUNICATION DECORATIVE	1	19194510
I	12452520	GROUND TRANSFORMER TANK	1	19194510

DECSVLEDBRONZE100W 19194520 DECORATIVE SUNSET VALLEY LED BRONZ 100W

ID	CU-REF	CU-DESC	QTY	MU-REF
A	19192402	DECORATIVE SUNSET VALLEY BRN LED 100W	1	19194520
C	19287003	CLAMP COMPRESSION CU #10 TO #12	1	19194520
D	19284520	MIDGET FUSE 5 AMP 600V AC	1	19194520
E	19284505	FUSE HOLDER BREAKAWAY 1IN AND 1OUT	1	19194520
F	12080402	WIRE # 12 CU 2C W/GRD	20	19194520
G	12450411	CONN SPLIT BOLT 6 SOLID CU	1	19194520
H	19282072	CONTROLLER COMMUNICATION DECORATIVE	1	19194520
I	12452520	GROUND TRANSFORMER TANK	1	19194520

DECSVLEDGREEN100W120V 19194530 DECORATIVE SUNSET VALLEY LED GREEN 100W

ID	CU-REF	CU-DESC	QTY	MU-REF
A	19192403	DECORATIVE SUNSET VALLEY GRN LED 100W	1	19194530
C	19287003	CLAMP COMPRESSION CU #10 TO #12	1	19194530
D	19284520	MIDGET FUSE 5 AMP 600V AC	1	19194530
E	19284505	FUSE HOLDER BREAKAWAY 1IN AND 1OUT	1	19194530
F	12080402	WIRE # 12 CU 2C W/GRD	20	19194530
G	12450411	CONN SPLIT BOLT 6 SOLID CU	1	19194530
H	19282072	CONTROLLER COMMUNICATION DECORATIVE	1	19194530
I	12452520	GROUND TRANSFORMER TANK	1	19194530

1919-46	STREETLIGHTS DECORATIVE STREETLIGHT SUNSET VALLEY LED ASSEMBLY	
Sheet 3 of 4		
		Rev: 08/01/20

CU-ID CU-REF CU-DESCRIPTION

DECSVBLKLED100W 19192401 DECORATIVE SUNSET VALLEY BLK LED 100W

ID	PART NUM	PART DESC	QTY		CU-REF
1	0000023829	SUNSET VALLEY LED BLACK ASSY	1	EA	19192401
2	0000008496	WASHER SLPA FLAT HOT DIP GALV FOR 1 INCH BOLT	4	EA	19192401

DECSVBRNLED100W 19192402 DECORATIVE SUNSET VALLEY BRN LED 100W

ID	PART NUM	PART DESC	QTY		CU-REF
1	0000023831	ST LIGHT DECORATIVE SUNSET VALLEY LED BROWN ASSEMBLY	1	EA	19192402
2	0000008496	WASHER SLPA FLAT HOT DIP GALV FOR 1 INCH BOLT	4	EA	19192402

DECSVGRNLED100W 19192403 DECORATIVE SUNSET VALLEY GRN LED 100W

ID	PART NUM	PART DESC	QTY		CU-REF
1	0000023827	SUNSET VALLEY LED DECORATIVE GREEN ASSEMBLY	1	EA	19192403
2	0000008496	WASHER SLPA FLAT HOT DIP GALV FOR 1 INCH BOLT	4	EA	19192403

DECSVBLKFIX100WLEDEQUIV 19192201 DEC SUNSET VALLEY BLK FIX 100W LED EQUIV

ID	PART NUM	PART DESC	QTY		CU-REF
1	0000023624	LUMINAIRE DECORATIVE LED PENDANT BLACK, SUNSET VALLEY	1	EA	19192201

DECSVBRNFIX100WLEDEQUIV 19192213 DEC SUNSET VALLEY BRN FIX 100W LED EQUIV

ID	PART NUM	PART DESC	QTY		CU-REF
1	0000023625	LUMINAIRE DECORATIVE LED PENDANT BRONZE, SUNSET VALLEY	1	EA	19192213

DECSVGRNFIX100WLEDEQUIV 19192225 DEC SUNSET VALLEY GRN FIX 100W LED EQUIV

ID	PART NUM	PART DESC	QTY		CU-REF
1	0000023626	LUMINAIRE DECORATIVE LED PENDANT GREEN, SUNSET VALLEY L	1	EA	19192225

DECSVBLKARM 19192256 DEC SUNSET VALLEY BLACK ARM


ID	PART NUM	PART DESC	QTY		CU-REF
1	0000022830	ARM, FOR SUNSET VALLEY DECORATIVE POLE, BLACK	1	EA	19192256

DECSVBRNARM 19192257 DEC SUNSET VALLEY BRONZE ARM

ID	PART NUM	PART DESC	QTY		CU-REF
1	0000022828	ARM, SUNSET VALLEY DECORATIVE POLE, BROWN	1	EA	19192257

DECSVGRNARM 19192258 DEC SUNSET VALLEY GREEN ARM

ID	PART NUM	PART DESC	QTY		CU-REF
1	0000022831	ARM DECORATIVE LED FOR GREEN, SUNSET VALLEY	1	EA	19192258

 Rev: 08/01/20	STREETLIGHTS DECORATIVE STREETLIGHT SUNSET VALLEY LED ASSEMBLY	1919-46
		Sheet 4 of 4

CU-ID	CU-REF	CU-DESCRIPTION
--------------	---------------	-----------------------

DECSVBLKPOLE	19192250	DEC SUNSET VALLEY BLK POLE
--------------	----------	----------------------------

ID	PART NUM	PART DESC	QTY		CU-REF
1	0000023630	POLE DECORATIVE FOR LED PENDANT BLACK, SUNSET VALLEY LE	1	EA	19192250
2	0000008496	WASHER SLPA FLAT HOT DIP GALV FOR 1 INCH BOLT	4	EA	19192250

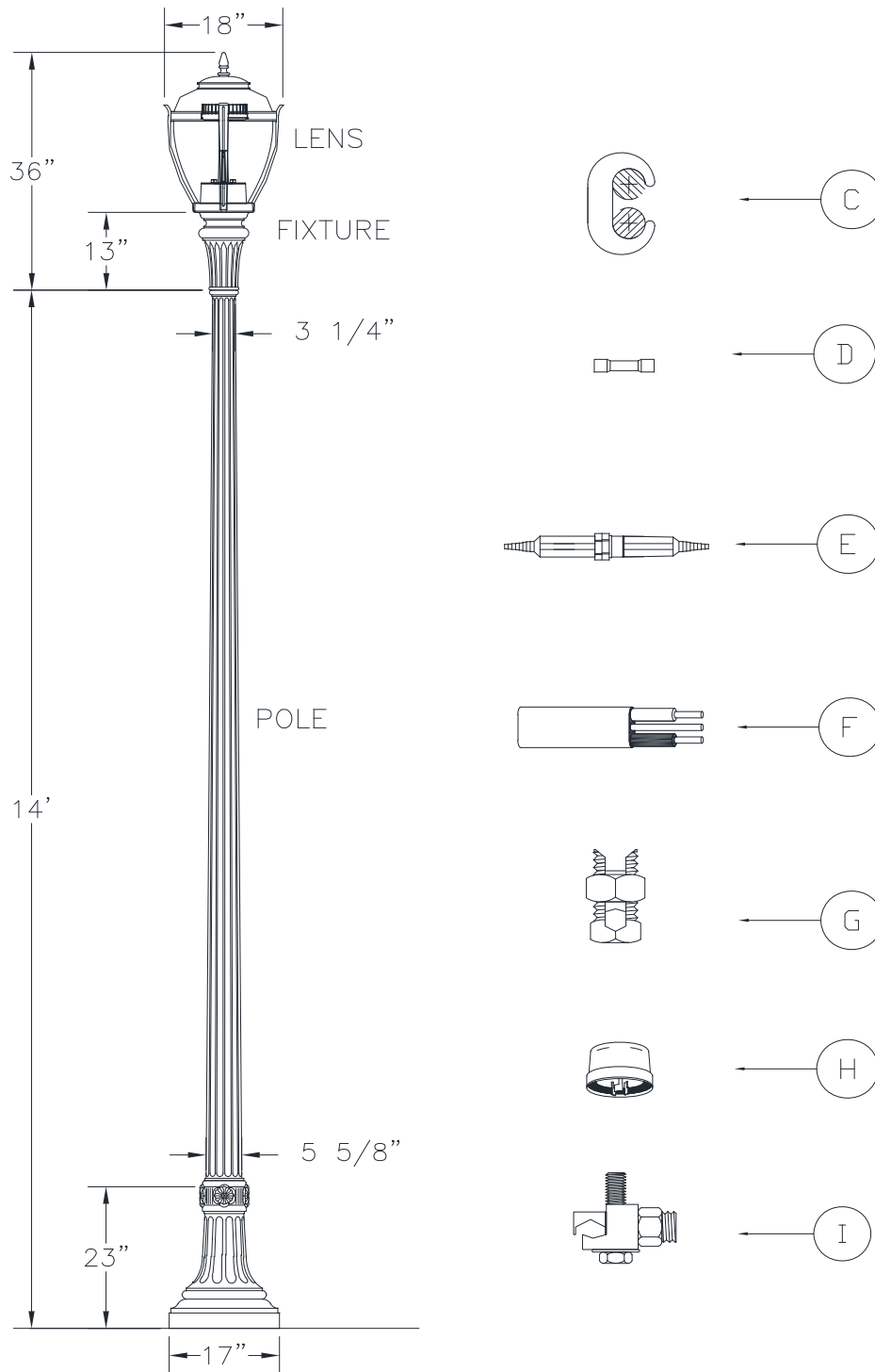
DECSVBRNPOLE	19192251	DEC SUNSET VALLEY BRN POLE
--------------	----------	----------------------------


ID	PART NUM	PART DESC	QTY		CU-REF
1	0000023631	POLE DECORATIVE FOR LED PENDANT BRONZE, SUNSET VALLEY L	1	EA	19192251
2	0000008496	WASHER SLPA FLAT HOT DIP GALV FOR 1 INCH BOLT	4	EA	19192251

DECSVGRNPOLE	19192252	DEC SUNSET VALLEY GRN POLE
--------------	----------	----------------------------

ID	PART NUM	PART DESC	QTY		CU-REF
1	0000023632	POLE DECORATIVE LED FOR GREEN, SUNSET VALLEY	1	EA	19192252
2	0000008496	WASHER SLPA FLAT HOT DIP GALV FOR 1 INCH BOLT	4	EA	19192252

STREETLIGHTS
DECORATIVE STREETLIGHT
TOWN LAKE LED ASSEMBLY



 Rev: 08/01/20	STREETLIGHTS DECORATIVE STREETLIGHT	1919-34
	TOWN LAKE LED ASSEMBLY	Sheet 2 of 3

MU- ID
MU- REF
MU- DESCRIPTION

DECTLBLKLED100W120V

19194910

DECORATIVE TOWN LAKE LED BLACK 100W

ID	CU- REF	CU- DESC	QTY	MU- REF
A	19193201	DEC TOWN LAKE BLK FIX 100W LED EQUIV	1	19194910
B	19193250	DEC TOWN LAKE BLK POLE	1	19194910
C	19287003	CLAMP COMPRESSION CU #10 TO #12	1	19194910
D	19284520	MIDGET FUSE 5 AMP 600V AC	1	19194910
E	19284505	FUSE HOLDER BREAKAWAY 1IN AND 1OUT	1	19194910
F	12080402	WIRE # 12 CU 2C W/GRD	20	19194910
G	12450411	CONN SPLIT BOLT 6 SOLID CU	1	19194910
H	19282072	CONTROLLER COMMUNICATION DECORATIVE	1	19194910
I	12452520	GROUND TRANSFORMER TANK	1	19194910

DECTLBRNLED100W120V

19194920

DECORATIVE TOWN LAKE LED BRONZE 100W

ID	CU- REF	CU- DESC	QTY	MU- REF
A	19193202	DEC TOWN LAKE BRN FIX 100W LED EQUIV	1	19194920
B	19193251	DEC TOWN LAKE BRN POLE	1	19194920
C	19287003	CLAMP COMPRESSION CU #10 TO #12	1	19194920
D	19284520	MIDGET FUSE 5 AMP 600V AC	1	19194920
E	19284505	FUSE HOLDER BREAKAWAY 1IN AND 1OUT	1	19194920
F	12080402	WIRE # 12 CU 2C W/GRD	20	19194920
G	12450411	CONN SPLIT BOLT 6 SOLID CU	1	19194920
H	19282072	CONTROLLER COMMUNICATION DECORATIVE	1	19194920
I	12452520	GROUND TRANSFORMER TANK	1	19194920

DECTLGRNLED100W120V

19194930

DECORATIVE TOWN LAKE LED GREEN 100W

ID	CU- REF	CU- DESC	QTY	MU- REF
A	19193203	DEC TOWN LAKE GRN FIX 100W LED EQUIV	1	19194930
B	19193252	DEC TOWN LAKE GRN POLE	1	19194930
C	19287003	CLAMP COMPRESSION CU #10 TO #12	1	19194930
D	19284520	MIDGET FUSE 5 AMP 600V AC	1	19194930
E	19284505	FUSE HOLDER BREAKAWAY 1IN AND 1OUT	1	19194930
F	12080402	WIRE # 12 CU 2C W/GRD	20	19194930
G	12450411	CONN SPLIT BOLT 6 SOLID CU	1	19194930
H	19282072	CONTROLLER COMMUNICATION DECORATIVE	1	19194930
I	12452520	GROUND TRANSFORMER TANK	1	19194930

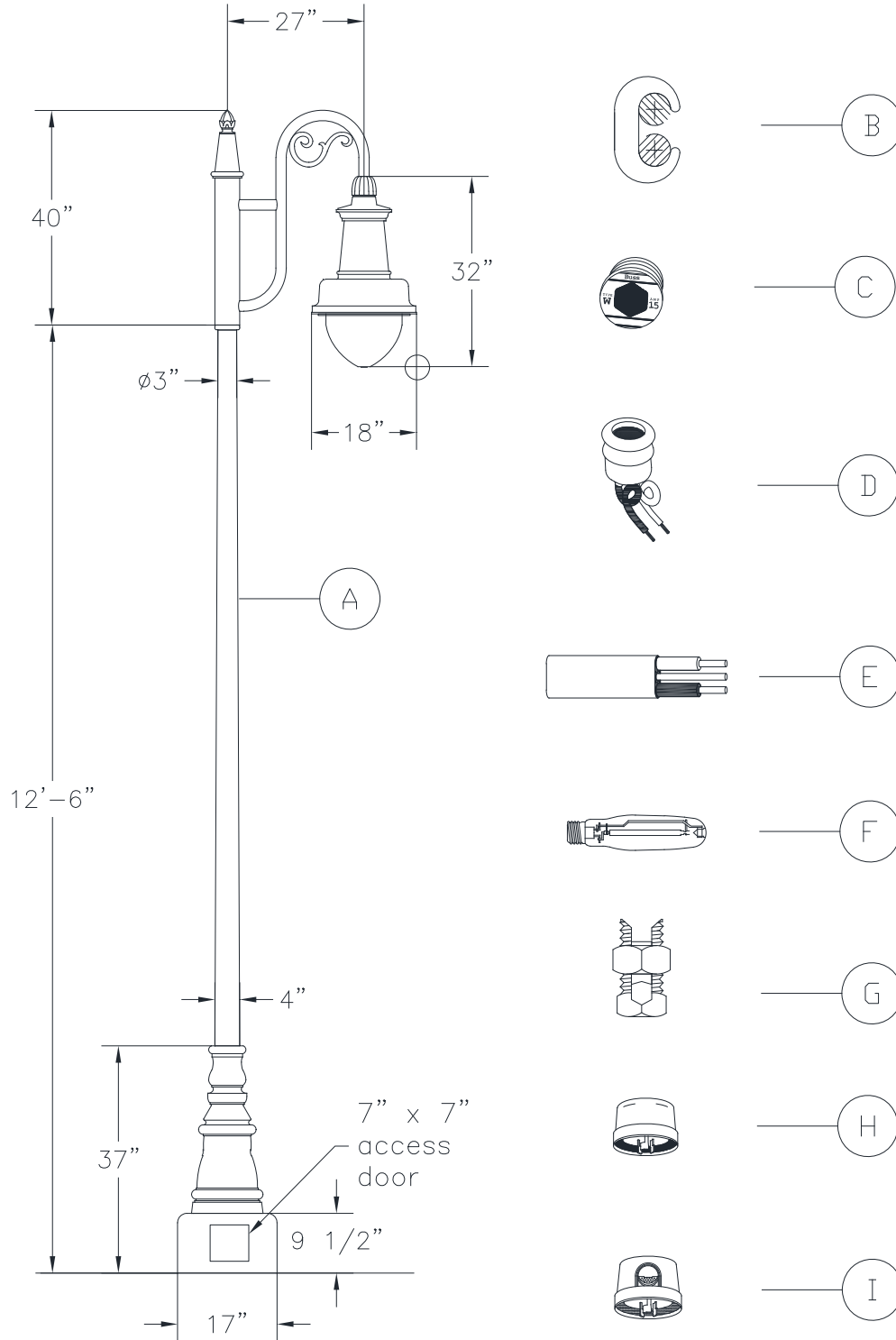


Rev: 08/01/20

STREETLIGHTS
DECORATIVE STREETLIGHT
PECAN STREET ASSEMBLY (UNO ONLY)

1919-44

Sheet 1 of 1



STREETLIGHTS

DECORATIVE STREETLIGHT

GREAT STREETS ASSEMBLY (GREAT STREETS ONLY)



Rev: 08/01/20

