

AUSTIN ENERGY
PURCHASE SPECIFICATION
FOR
LUMINAIRES, LED, SHOEBOX

<u>DATE</u>	<u>PREPARED BY</u>	<u>ISSUANCE/REVISION</u>	<u>APPROVAL</u> <u>DIVISION MANAGER/STANDARDS MANAGER</u>
1/29/15	Danny McReynolds	Issuance	
08/13/20	Brantley Gosey	Revision	

<u>REASON FOR REVISION</u>	<u>AFFECTED PARAGRAPHS</u>
Update bar coding requirements	Section 12

This specification, until rescinded, shall apply to each future purchase and contract for the commodity described herein.
Retain for future reference.

THIS PAGE BLANK

**AUSTIN ENERGY
PURCHASE SPECIFICATION
FOR
SHOEBOX LED LUMINAIRES**

1.0 SCOPE

This specification shall define the minimum physical and electrical characteristics required by Austin Energy (AE) for shoebox style light emitting diode (LED) luminaires of the enclosed, side-mounted, which have integral drivers and photoelectric control receptacles. The LED luminaires shall be used as equivalents to AE standard 100, 250 and 400W, metal halide (MH) and high pressure sodium (HPS), "shoebox" style luminaires.

2.0 CLASSIFICATION

The requirements herein shall apply to shoebox style LED luminaires of the following wattages, style and voltage. Austin Energy will use these assemblies in commercial and residential sub-divisions, for aesthetic improvements.

- 2.1 100-watt equivalent LED, U0 dark sky compliant 120/208/240/277-volt "shoebox" with ROAM compatible photo control receptacles and photometrics in compliance with section 7.1 of this specification.
- 2.2 250-watt equivalent, LED, U0 dark sky compliant 120/208/240/277-volt "shoebox" with ROAM compatible photo control receptacles and photometrics in compliance with section 7.2 of this specification.
- 2.3 400-watt equivalent LED, U0 dark sky compliant 120/208/240/277-volt "shoebox" with ROAM compatible photo control receptacles and photometrics in compliance with section 7.3 of this specification.

3.0 APPLICABLE STANDARDS

All characteristics, definitions, and terminology, except as specifically covered in this specification shall be in accordance with the latest revision of the following ANSI standards:

- 3.1 ANSI C136.2
Roadway lighting luminaires - voltage classification.
- 3.2 ANSI C136.3
Roadway lighting equipment luminaire attachments.
- 3.3 ANSI C136.10
Roadway lighting equipment locking-type photocontrol devices and mating receptacles physical and electrical interchangeability and testing.
- 3.4 ANSI C136.25
Roadway lighting equipment – ingress protection (IP 66)
- 3.5 ANSI C136.31
Roadway lighting vibration – 3G vibration test
- 3.6 ANSI C136.37
Roadway lighting equipment – solid state light sources

- 3.7 ANSI C136.41
Roadway and area lighting equipment – dimming control between an external locking type photocontrol and driver
- 3.8 ANSI C136.1110
Roadway lighting equipment - multiple sockets.
- 3.9 ANSI/IES RP-8
Practice for roadway lighting.
- 3.10 ANSI/IES LM-79
Electrical and Photometric Measurements of Solid-State Lighting Products.
- 3.11 ANSI/IES TM-15-11
Luminaire Classification System for Outdoor Luminaires (B-U-G).
- 3.12 ANSI/IES LM-63
Standard File Format for Electronic Transfer of Photometric Data and Related Information.

4.0 GENERAL

- 4.1 The light shall be commercially available. Prototypes will not be accepted unless approved by Engineering Standards.
- 4.2 The fixture shall use at least 55% less energy compared to its commercially available metal halide counterpart. Maximum wattage acceptable would be 58W for HPS or MH 100W equivalent, 138W for HPS or MH 250W equivalent and 220W for HPS or MH 400W equivalent.
- 4.3 A full sheet of product specifications shall be submitted prior to award of contract. Warranty information shall be submitted prior to award of contract and warranty shall cover all parts including the driver and have a minimum 10 year warranty.
- 4.4 Finish/Paint on fixture, pole and arm shall have a five (5) year warranty.
- 4.5 Color of the fixture, pole and arm shall be as specified, Green/GRN (RAL 6009), Black/BLK (IFP 6591), or Bronze/CLB (RAL 8014) polyester powder coat finish.
- 4.6 Fixture shall be designed to meet IESNA lighting standards per RP-8. Types II, III, and V distribution patterns should be readily available. Fixture shall also meet IES TM-15 for B-U-G rating. Electronic IES Files shall be submitted prior to award of contract. Fixture shall also meet Designlights Consortium Qualified Products List (DLC QPL) specifications and requirements.
- 4.7 Fixture shall be tested by a third party or NVLAP lab in accordance with the latest revision of LM-79 and LM-80. Documentation shall be submitted electronically to Engineering Standards as part of the bid package.

5.0 FIXTURE

- 5.1 The luminaire fixture shall be constructed of precision die cast aluminum. The fixture shall enclose the LED's, surge protective device (SPD), and driver components. These components shall be mounted to the fixture by means of a quick disconnect for ease of maintenance.
- 5.2 The fixture shall be adequately enclosed with a metal wildlife guard to prevent entrance of birds in the electrical connection area and insects in the lamp area.
- 5.3 Provisions shall be made within the luminaire to permit leveling of the unit.
 - 5.3.1 A leveling bubble device shall be mounted so as to be viewable from ground level.
- 5.4 The luminaire fixture shall be sufficiently sized to allow the operation of all components within their designed operating temperatures.

- 5.5 The complete luminaire shall have an effective projected area (EPA) not to exceed 1.5 sq. ft. and weight (including lamp) of less than 35 lbs.
- 5.6 Materials and protective coatings used for the luminaire assembly, including but not limited to screws, bolts, latches, hinges and mounting assembly shall individually and as a system be resistant to atmospheric conditions, including the corrosive and erosive action of conditions of service encountered in industrial and seaboard areas. All screws, bolts, latches and hinges shall be made of stainless steel.
- 5.7 The optics enclosure of the fixture, driver, and SPD shall be rated IP 66 or better.
- 5.8 US, UL, DLC QPL, Outdoor and Wet Listed.

6.0 POLE AND MOUNTING ARM

- 6.1 A square straight steel pole shall be fabricated from high-grade structural steel tube with minimum wall thickness of 11 gauge.
- 6.2 A reinforced hand hole with cover shall be located 18 inches above base plate with a ground lug located inside pole on wall opposite hand hole.
- 6.3 Base plate shall be fabricated from hot rolled steel with a minimum yield strength of 36,000 PSI. Base shall telescope and be circumferentially welded to the pole shaft. The boltholes shall be 1-1/8 inch slotted, 11 inch diameter bolt circle and match the City of Austin Street Light Foundation in Attachment 1.
- 6.4 Base cover shall be fabricated from heavy gauge carbon steel, two-piece and cover the City of Austin Street Light Foundation in Attachment 1.
- 6.5 Pole shall be designed to withstand winds rated at 80 MPH and gust of 104 MPH.
- 6.6 All hardware shall be stainless steel and tamper resistant.
- 6.7 See Attachment 1 for clarifications and bolt patterns.
- 6.8 All holes drilled in the pole wall shall be plugged by an insert capable of remaining in place for the life of the pole.

7.0 PHOTOMETRICS

7.1 100 Watt Equivalent LED Luminaires

- 7.1.1 The 100-watt equivalent LED mounted luminaire shall be IES upright rating U0 and, when mounted 25 feet above the midpoint of either long side of a rectangular area 80 feet by 45 feet, shall provide a measured minimum intensity of 0.2 footcandle at any point on the surface of the area. The roadway width shall be thirty (30) feet wide with a mounting height of 25 feet when calculating photometrics. Luminaire location shall have a minimum spacing of 150 feet apart and maintain a minimum average of 0.5 footcandles. Grid point spaced according to IESNA RP-8 for a roadway with two 15 foot lanes.
- 7.1.2 The maximum to minimum horizontal illuminance uniformity ratio shall not exceed 12:1 within the above mentioned rectangular area.
- 7.1.3 The average to minimum ratio shall not exceed 4.0:1 within the above mentioned roadway area.
- 7.1.4 The luminaries shall meet the photometric requirements shown above, when energized at 100 percent of rated line voltage. Tests shall be run with the fixture in the level position.
- 7.1.5 Certified test reports shall be submitted, by the bidder, prior to award of contract for the 100 watt equivalent LED fixture, showing compliance to the specifications described herein. These test reports shall include, but not be limited to IES files and ISO ft.-candle contours

with numeric points of light expressed in ft.-candles associated with each contour. The ISO ft.-candle contour shall be mapped on the horizontal planes with the location of the fixture clearly marked.

- 7.1.6 The luminaries shall have a power factor > 0.90.
 - 7.1.7 The luminaries shall have a color temperature of 4000k, plus or minus 275k.
 - 7.1.8 The luminaries shall have a nominal CRI > 70 and a minimum CRI > 65.
 - 7.1.9 The luminaries shall have a efficacy of 92 lm/W or better.
 - 7.1.10 Fixture shall have > 92% lumen maintenance at 60,000 hours of minimum operational life at an average operating time of 11.5 hours per night at an ambient of 40 degrees Celsius.
 - 7.1.11 LLF as calculated in Section 8.
- 7.2 250 Watt Equivalent LED Luminaires
- 7.2.1 The 250-watt equivalent LED mounted luminaire shall be IES upright rating U0 and, when mounted 30 feet above the midpoint of either long side of a rectangular area 160 feet by 40 feet, shall provide a measured minimum intensity of 0.2 footcandle at any point on the surface of the area and an average of 0.60 footcandles or greater. Light intensities measured in footcandles along a line parallel to and 20 feet in from the long side of the previously defined rectangular area above which the luminaire is mounted shall decrease at a rate not to exceed 0.5 footcandle in any 10 foot interval along the aforementioned line from 10 to 80 feet on both sides of the luminaire and shall not be less than 0.3 footcandle at any point along such line. Grid point spaced according to IESNA RP-8 for a roadway with four 10 foot lanes.
 - 7.2.2 The maximum to minimum horizontal illuminance uniformity ratio shall not exceed 20:1 within the above mentioned rectangular area.
 - 7.2.3 The average to minimum ratio shall not exceed 3.0:1 within the above mentioned roadway area.
 - 7.2.4 The luminaires shall meet the photometric requirements shown above, when energized at 100 percent of rated line voltage. Tests shall be run with the fixture in the level position.
 - 7.2.5 Certified test reports shall be submitted, by the bidder, prior to award of contract for the 250 watt equivalent LED fixture, showing compliance to the specifications described herein. These test reports shall include, but not be limited to IES files and ISO ft.-candle contours with numeric points of light expressed in ft.-candles associated with each contour. The ISO ft.-candle contour shall be mapped on the horizontal planes with the location of the fixture clearly marked.
 - 7.2.6 The luminaries shall have a power factor > 0.90.
 - 7.2.7 The luminaries shall have a color temperature of 4000k, plus or minus 275k.
 - 7.2.8 The luminaries shall have a nominal CRI > 70 and a minimum CRI > 65.
 - 7.2.9 The luminaries shall have a efficacy of 92 lm/W or better.
 - 7.2.10 Fixture shall have > 92% lumen maintenance at 60,000 hours of minimum operational life at an average operating time of 11.5 hours per night at an ambient of 40 degrees Celsius.
 - 7.2.11 LLF as calculated in Section 8.
- 7.3 400 Watt Equivalent LED Luminaires
- 7.3.1 The 400-watt equivalent LED mounted luminaire shall be IES upright rating U0 and, when mounted 50 foot above the midpoint of either long side of a rectangular area 220 feet by 60

feet, shall provide a measured minimum intensity of 0.2 footcandles at any point on the surface of this area and an average of 0.60 footcandles or greater. Light intensities measured in footcandles along a line parallel to and 30 feet in from the long side of the previously defined rectangular area above when the luminaire is mounted shall decrease at a rate not to exceed 0.5 footcandles in any 10 foot interval along the aforementioned line from 10 to 90 feet on both sides of the luminaire and shall not be less than 0.3 footcandle at any point along such line. Grid point spaced according to IESNA RP-8 for a roadway with four 15 foot lanes.

- 7.3.2 The maximum to minimum horizontal illuminance uniformity ratio shall not exceed 20:1 within the above mentioned rectangular area.
 - 7.3.3 The average to minimum ratio shall not exceed 3.0:1 within the above mentioned roadway area.
 - 7.3.4 The Luminaires shall meet the photometric requirements shown above, when energized at 100 percent of rated line voltage. Tests shall be run with the fixture in the level position.
 - 7.3.5 Certified test reports shall be submitted, by the bidder, prior to award of contract for the 400 watt equivalent LED fixture, showing compliance to the specifications described herein. These test reports shall include, but not be limited to IES files and ISO ft.-candle contours with numeric points of light expressed in ft.-candles associated with each contour. The ISO ft.-candle contour shall be mapped on the horizontal planes with the location of the fixture clearly marked.
 - 7.3.6 The luminaries shall have a power factor > 0.90.
 - 7.3.7 The luminaries shall have a color temperature of 4000k, plus or minus 275k.
 - 7.3.8 The luminaries shall have a nominal CRI > 70 and a minimum CRI > 65.
 - 7.3.9 The luminaries shall have a efficacy of 92 lm/W or better.
 - 7.3.10 Fixture shall have > 92% lumen maintenance at 60,000 hours of minimum operational life at an average operating time of 11.5 hours per night at an ambient of 40 degrees Celsius.
 - 7.3.11 LLF as calculated in Section 8.
- 7.4 Luminaire Up Light
- 7.4.1 All Luminaires shall be U0 with no light above 90 degrees per the photometric requirements listed above. Luminaire shall have a B-U-G rating with an Uplight value of U0.
- 7.5 Individual LED's shall be constructed such that a catastrophic loss or failure of one LED will not result in the loss of the entire fixture.

8.0 LIGHT LOSS FACTOR CALCULATION

- 8.1 Calculations shall be for maintained values, i.e. Light Loss Factor (LLF) < 1.0, where $LLF = LLD \times LDD \times LATF$, and
 - 8.1.1 Lamp Lumen Depreciation (LLD) factor shall be provided in the manufacturer's documentation per TM-21 calculations.
 - 8.1.2 Luminaire Dirt Depreciation (LDD) = 0.90, as per IES DG-4 for an enclosed and gasketed roadway luminaire installed in an environment with less than 150 $\mu\text{g}/\text{m}^3$ airborne particulate matter and cleaned every four years.
 - 8.1.3 Luminaire Ambient Temperature Factor (LATF) = 1.00

9.0 TERMINAL BOARD

- 9.1 The terminal board shall be a three (3) position type molded plastic, porcelain or buyer approved equivalent material with protective barriers between each contact the terminal board shall be mounted to the upper fixture section of the luminaire.
- 9.2 All contact on the terminal board shall be captive type corrosion resistant with slotted head screws and equipped with wire grips and capable of accepting number 6 to number 14 AWG stranded or solid aluminum or copper conductors.
- 9.3 The terminal board shall be located so that there is adequate accessibility to it for connecting the supply leads when wearing rubber protective gloves and without the removal or replacement of internal components.
- 9.4 Components shall be pre-wired to the terminal board requiring only power connection to clearly identified terminals. A green insulated #12 stranded wire shall be prewired from the housing ground terminal to the ground terminal on the terminal board. Ring terminals shall be used for the connecting of the wire. The wiring diagram shall be permanent, apparent, legible, and affixed inside the luminaire. The diagram shall indicate the photoelectric receptacle, SPD and driver circuit, the LED board and coded terminal block connections.
- 9.5 All wire shall be insulated at a minimum to operate at 105 degrees centigrade.
- 9.6 All wire connectors shall be made with "amp type" push on terminal connectors. Wire nuts are unacceptable.

10.0 PHOTOELECTRIC CONTROL RECEPTACLE

- 10.1 Photoelectric control receptacle shall be molded plastic and shall be capable of securely positioning the photoelectric control in any necessary direction.
- 10.2 Electric contacts of the photoelectric control receptacle shall be tin plated bronze. Plated steel contacts are not acceptable.
- 10.3 Photoelectric control receptacle shall meet all applicable provisions of ANSI C136.10 and ANSI C136.41, latest revision.
- 10.4 Receptacle shall be 7-pole 7-wire locking type and shall be pre-wired to the terminal board.
- 10.5 Receptacle shall be ROAM compatible with integral dimming control capabilities.

11.0 DRIVER/SURGE PROTECTOR DEVICE (SPD)

- 11.1 Fixture driver shall be dimmable and compatible with ROAM lighting control system.
- 11.2 The 120V, 10kA surge protection device (SPD) shall meet or exceed ANSI C136.2 10kV BIL, UL 1449 and ANSI/IEEE C62.41-2002 Category C High Exposure; MVOLT surge protection shall meet or exceed Category C. Surge protection shall be separate from the driver. If the SPD should fail in such a way, the luminaries will no longer operate and the SPD shall be field replaceable.

12.0 BARCODE / IDENTIFICATION

- 12.1 The nameplate shall contain a permanent bar code that meets the following requirements:

Information: The bar code shall display the Manufacturer's Identification Code and manufacturer's serial number.

Durability: The bar code shall last the lifetime of the lighting fixture. The bar code shall be constructed such that, when using a contact-type bar code reader, the bar code shall be capable of a minimum of thirty successful scans. **Dimensions:** The height of the bar code shall be either 0.24 inches or 15% of the barcode length (L); whichever is greater.

Character Size: The bar code print quality shall be in accordance with ANSI X3.182. The permanent bar code shall be of medium density.

Bar Code Symbology: The bar code symbology shall be Code 39, also referred to as 3-of-9 bar code, using the 43-character ASCII set, in accordance with ANSI X3.4.

Orientation of the Bar Code Characters: The bar code characters shall be arranged in one line.).

Quiet Zones: A minimum quiet zone of 0.25" shall immediately precede and follow the bar codes.

Human-Readable Interpretation: A human-readable interpretation line shall be provided directly beneath the bar code, in accordance with ANSI MH10.8M. The interpretation of the 3-of-9 bar code shall be clearly identifiable with the bar-code symbol above. The preferred shapes of the human-readable interpretation shall conform to either ANSI X3.17 or ANSI X3.49. As an alternative, any human-readable font with characters no less than 3/32" in height is acceptable

Manufacturers shall permanently attach the following information to the inside wall of the upper or main housing and in the barcode:

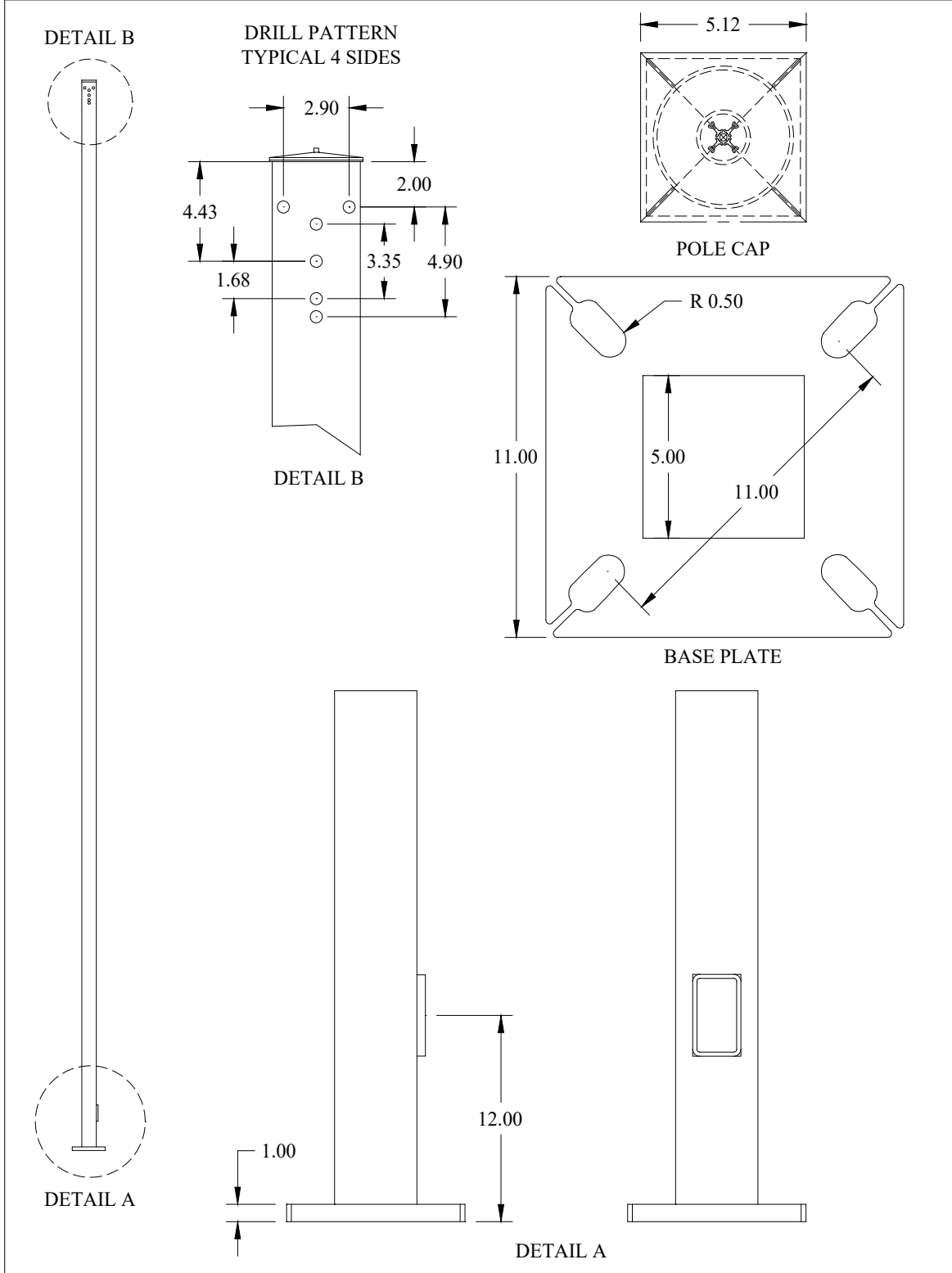
- 12.1.1 Manufacturers name
 - 12.1.2 Manufacturers catalog number and type
 - 12.1.3 Date of the manufacturer (Codes are not accepted)
 - 12.1.4 Lamp Wattage
 - 12.1.5 Lamp IES designation and type
 - 12.1.6 Primary voltage
 - 12.1.7 Primary current
 - 12.1.8 Wiring diagram corresponding to the components installed.
 - 12.1.9 Lamp Lux Level
 - 12.1.10 Lamp efficacy
- 12.2 Fixture wattage decal shall be specified as in ANSI C136.15, latest revision. The decal shall resist cracking, peeling, and fading for a period of ten (10) years.
- 12.3 Luminaire wattage marking location shall be secured to the underside of the luminaire, approximately five (5) inches toward the pole from the edge of the glassware.

13.0 PACKAGING

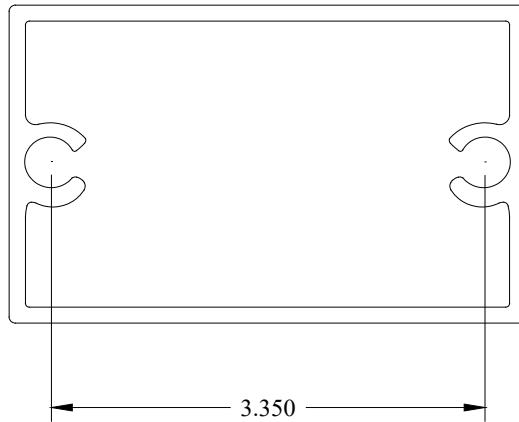
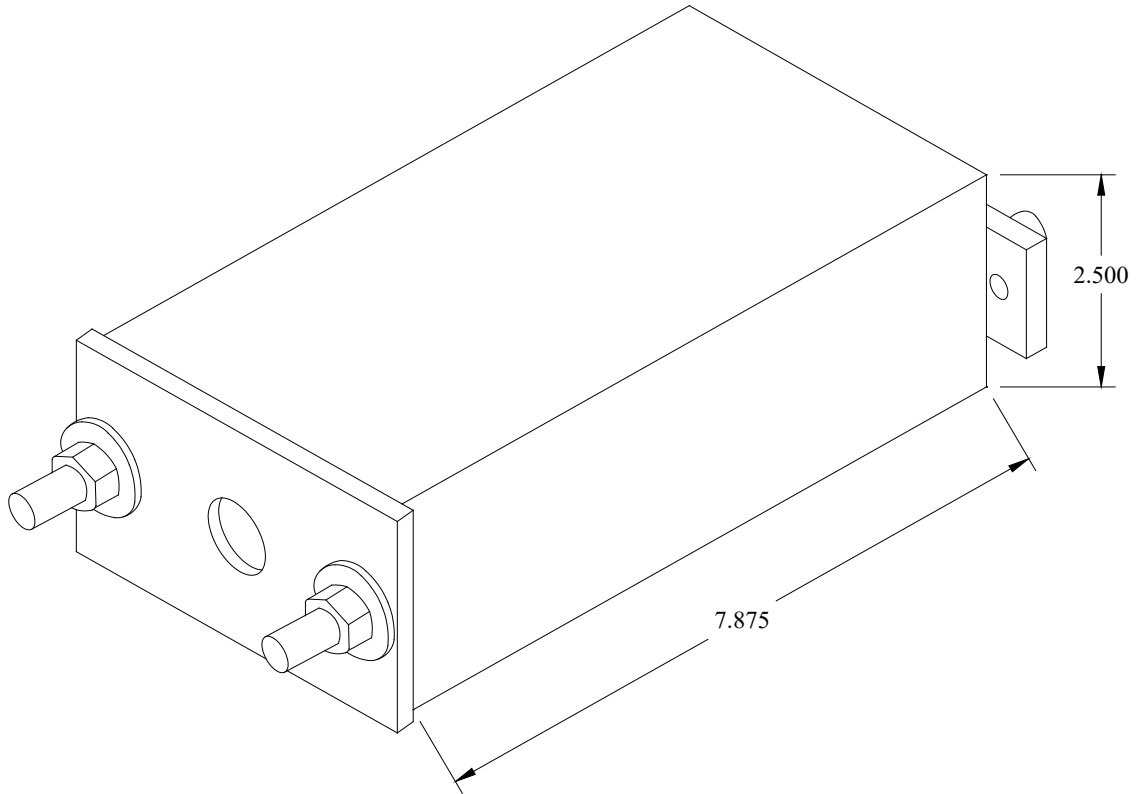
- 13.1 Fixture shall be packaged in one (1) box with cushion support protection to prevent damage to the fixture and any of its components' parts during shipping and handling.
- 13.2 AE commodity stock number will be two (2) in. block numerals on each box.
- 13.3 Boxes shall be palletized on 48-in. x 40-in. 4-way entry hardware pallets.

ATTACHMENT 1

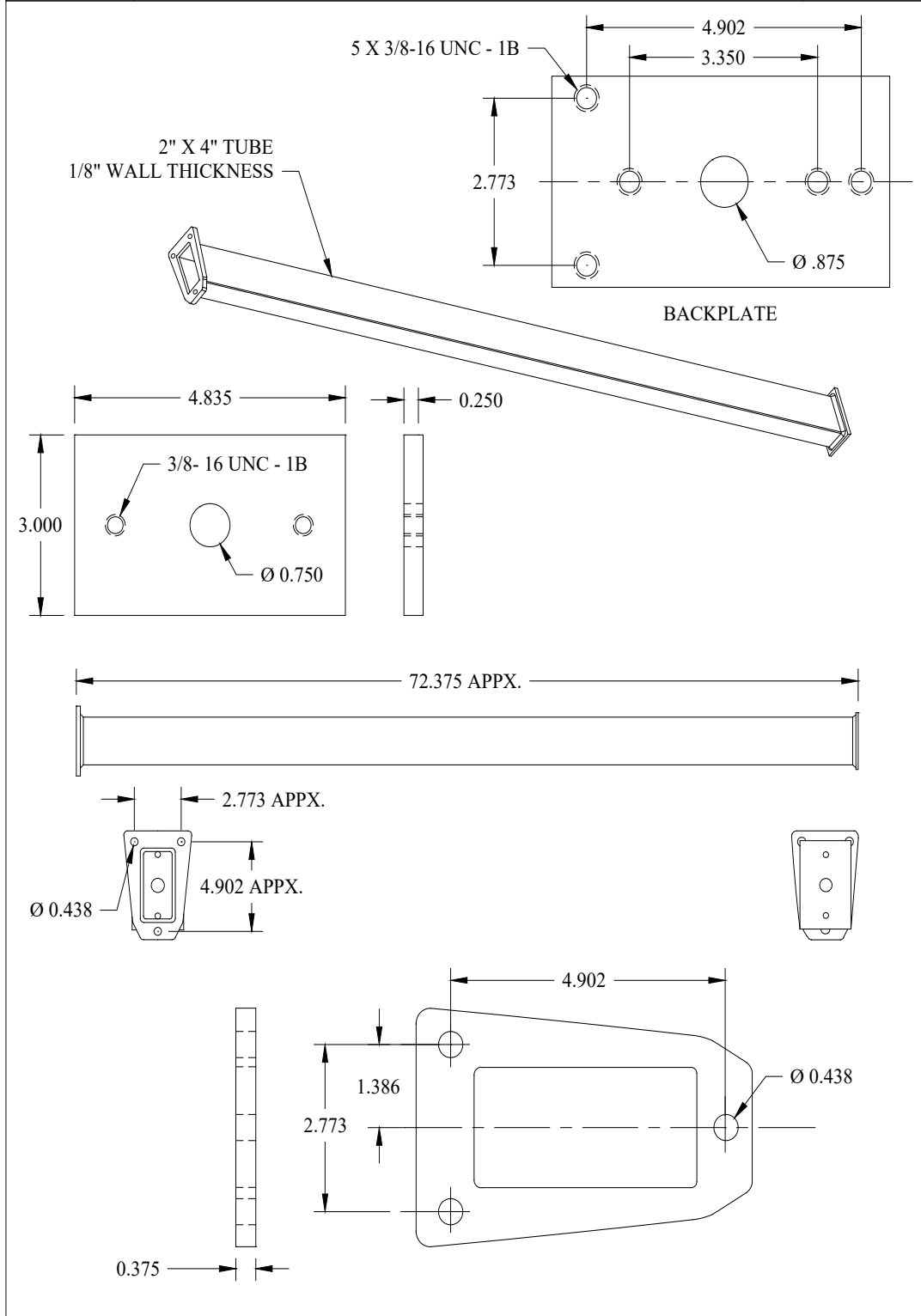
5 OF 5	AUSTIN ENERGY	
SHEET OF	SHOEBOX AND FIXTURE SPECIFICATION	
09/22/09	30' POLE	REV. 09/22/09

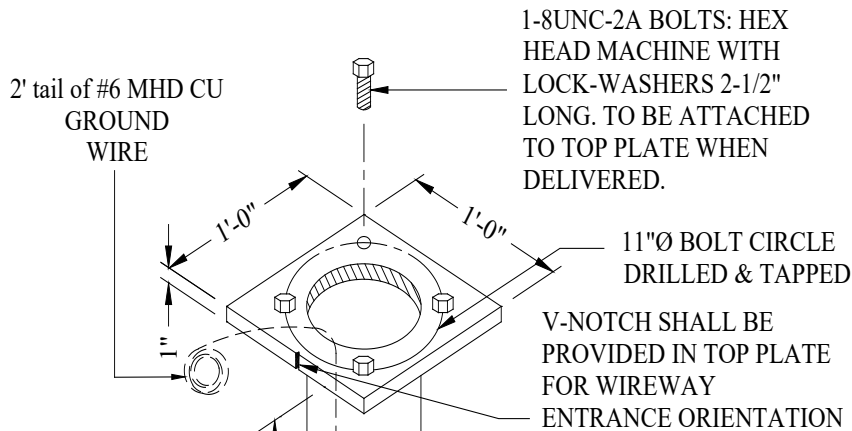


3 OF 5	AUSTIN ENERGY	
SHEET OF	SHOEBOX POLE AND FIXTURE SPECIFICATION	
09/22/09	MEDIUM ALUMINUM BRACKET	REV. 09/22/09

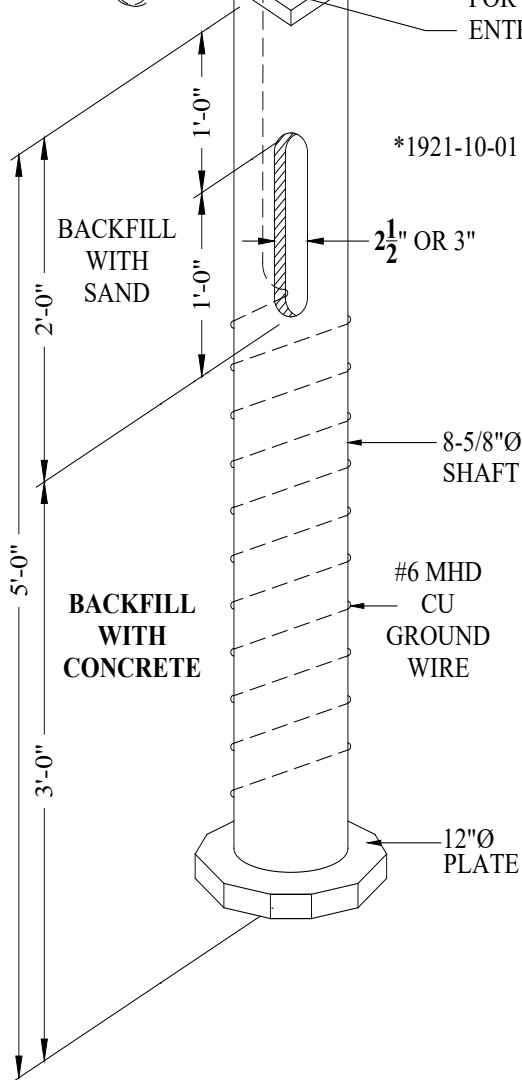


2 OF 5	AUSTIN ENERGY	
SHEET OF	SHOEBOX POLE AND FIXTURE SPECIFICATION	
09/22/09	6' ARM OPTION	REV. 09/22/09





1-8UNC-2A BOLTS: HEX HEAD MACHINE WITH LOCK-WASHERS 2-1/2" LONG. TO BE ATTACHED TO TOP PLATE WHEN DELIVERED.



NOTES:

1. MATERIAL: HOT DIP GALVANIZED STEEL.
2. ALL WELDED SEAMS SHALL BE CONTINUOUS.
3. BOLTS SHALL BE INSTALLED IN CONNECTION PLATE WITH BOLT HEAD UP.
4. FOUNDATION PIER MAY BE CIRCULAR OR OCTAGONAL.
5. CORE DRILL HOLES 18".
6. SET FOUNDATION BEHIND CURB PER CONSTRUCTION PRINT DETAIL.
7. SET TOP PLATE OF FOUNDATION 1/4" RISER FROM TOP OF CURB IN R.O.W.
8. INSTALL BELL ENDS FLUSH WITH TOP PLATE.
9. INSTALL CONCRETE AROUND BASE FROM BOTTOM OF CORE DRILL HOLE TO BOTTOM OF PIPE WINDOW. CONCRETE SHALL BE 5 SACK, CLASS A, 3/4" TO 1-1/2" AGGREGATE.
10. FILL INSIDE BASE WITH SAND TO TOP PLATE.
11. WRAP FOUNDATION WITH 25' OF #6 MHD SOLID COPPER. INSERT #6 THROUGH CONDUIT WINDOW AND LEAVE 24" ABOVE TOP PLATE OF FOUNDATION.

SMALL STREETLIGHT FOUNDATION
 (FOR 25'-30'-35' POLES)